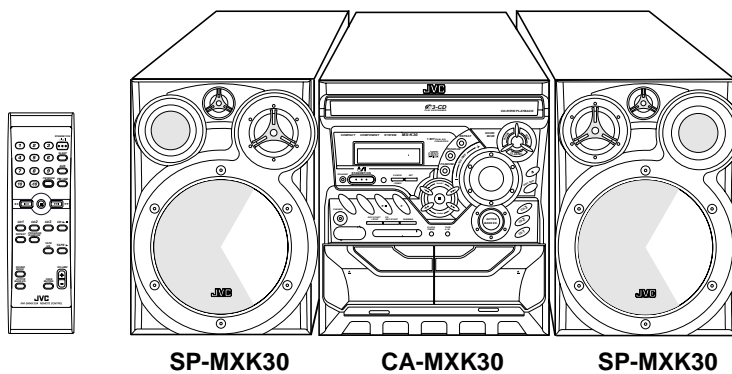


JVC

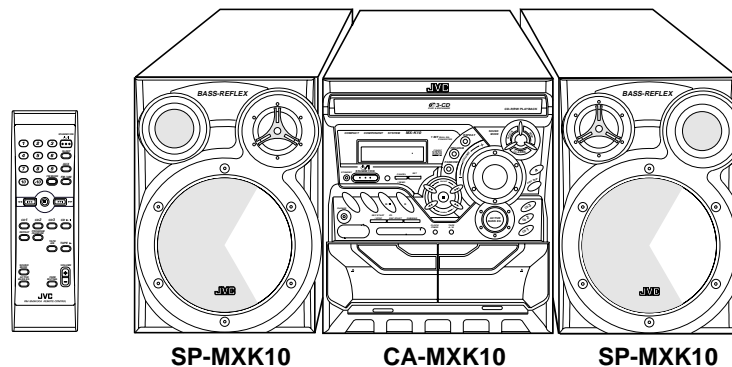
SERVICE MANUAL

COMPACT COMPONENT SYSTEM

MX-K30/MX-K10



COMPACT
disc
DIGITAL AUDIO



Area Suffix	
J	U.S.A.
C	Canada

Contents

Safety precautions	1-2	Flow of functional	
Important for laser products	1-3	operation until TOC read	1-20
Preventing static electricity	1-4	Maintenance of laser pickup	1-21
Disassembly method	1-5	Replacement of laser pickup	1-21
Adjustment method	1-18	Description of major ICs	1-22~28

Safety Precautions

1. This design of this product contains special hardware and many circuits and components specially for safety purposes. For continued protection, no changes should be made to the original design unless authorized in writing by the manufacturer. Replacement parts must be identical to those used in the original circuits. Services should be performed by qualified personnel only.
2. Alterations of the design or circuitry of the product should not be made. Any design alterations of the product should not be made. Any design alterations or additions will void the manufacturer's warranty and will further relieve the manufacture of responsibility for personal injury or property damage resulting therefrom.
3. Many electrical and mechanical parts in the products have special safety-related characteristics. These characteristics are often not evident from visual inspection nor can the protection afforded by them necessarily be obtained by using replacement components rated for higher voltage, wattage, etc. Replacement parts which have these special safety characteristics are identified in the Parts List of Service Manual. Electrical components having such features are identified by shading on the schematics and by (\triangle) on the Parts List in the Service Manual. The use of a substitute replacement which does not have the same safety characteristics as the recommended replacement parts shown in the Parts List of Service Manual may create shock, fire, or other hazards.
4. The leads in the products are routed and dressed with ties, clamps, tubings, barriers and the like to be separated from live parts, high temperature parts, moving parts and/or sharp edges for the prevention of electric shock and fire hazard. When service is required, the original lead routing and dress should be observed, and it should be confirmed that they have been returned to normal, after re-assembling.

5. Leakage current check (Electrical shock hazard testing)

After re-assembling the product, always perform an isolation check on the exposed metal parts of the product (antenna terminals, knobs, metal cabinet, screw heads, headphone jack, control shafts, etc.) to be sure the product is safe to operate without danger of electrical shock. Do not use a line isolation transformer during this check.

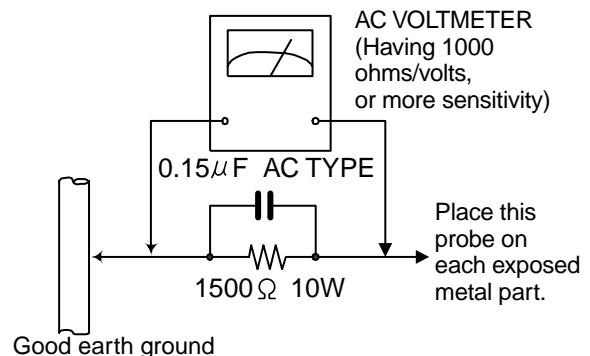
- Plug the AC line cord directly into the AC outlet. Using a "Leakage Current Tester", measure the leakage current from each exposed metal parts of the cabinet, particularly any exposed metal part having a return path to the chassis, to a known good earth ground. Any leakage current must not exceed 0.5mA AC (r.m.s.)

- Alternate check method

Plug the AC line cord directly into the AC outlet. Use an AC voltmeter having, 1,000 ohms per volt or more sensitivity in the following manner. Connect a $1,500\Omega$ 10W resistor paralleled by a $0.15\mu\text{F}$ AC-type capacitor between an exposed metal part and a known good earth ground.

Measure the AC voltage across the resistor with the AC voltmeter.

Move the resistor connection to each exposed metal part, particularly any exposed metal part having a return path to the chassis, and measure the AC voltage across the resistor. Now, reverse the plug in the AC outlet and repeat each measurement. voltage measured Any must not exceed 0.75 V AC (r.m.s.). This corresponds to 0.5 mA AC (r.m.s.).

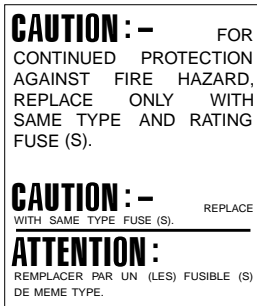


Warning

1. This equipment has been designed and manufactured to meet international safety standards.
2. It is the legal responsibility of the repairer to ensure that these safety standards are maintained.
3. Repairs must be made in accordance with the relevant safety standards.
4. It is essential that safety critical components are replaced by approved parts.
5. If mains voltage selector is provided, check setting for local voltage.

⚠ CAUTION Burrs formed during molding may be left over on some parts of the chassis. Therefore, pay attention to such burrs in the case of performing repair of this system.

FUSE CAUTION



Important for laser products

1. CLASS 1 LASER PRODUCT


2. DANGER : Invisible laser radiation when open and interlock failed or defeated. Avoid direct exposure to beam.

3. CAUTION : There are no serviceable parts inside the Laser Unit. Do not disassemble the Laser Unit. Replace the complete Laser Unit if it malfunctions.

4. CAUTION : The compact disc player uses invisible laserradiation and is equipped with safety switches which prevent emission of radiation when the drawer is open and the safety interlocks have failed or are defeated. It is dangerous to defeat the safety switches.

5. CAUTION : If safety switches malfunction, the laser is able to function.

6. CAUTION : Use of controls, adjustments or performance of procedures other than those specified herein may result in hazardous radiation exposure.

 **CAUTION** Please use enough caution not to see the beam directly or touch it in case of an adjustment or operation check.

VARNING : Osynlig laserstrålning är denna del är öppnad och spärren är urkopplad. Betrakta ej strålen.

VARO : Avattaessa ja suojalukitus ohitettaessa olet alltiina näkymättömälle lasersäteilylle. Älä katso säteeseen.

ADVARSEL : Usynlig laserstrålning ved åbning , når sikkerhedsafbrydere er ude af funktion. Undgå udsættelse for stråling.

ADVARSEL : Usynlig laserstrålning ved åbning, når sikkerhedsbryteren er avslott. unngå utsettelse for stråling.

Preventing static electricity

1. Grounding to prevent damage by static electricity

Electrostatic discharge (ESD), which occurs when static electricity stored in the body, fabric, etc. is discharged, can destroy the laser diode in the traverse unit (optical pickup). Take care to prevent this when performing repairs.

2. About the earth processing for the destruction prevention by static electricity

In the equipment which uses optical pick-up (laser diode), optical pick-up is destroyed by the static electricity of the work environment.

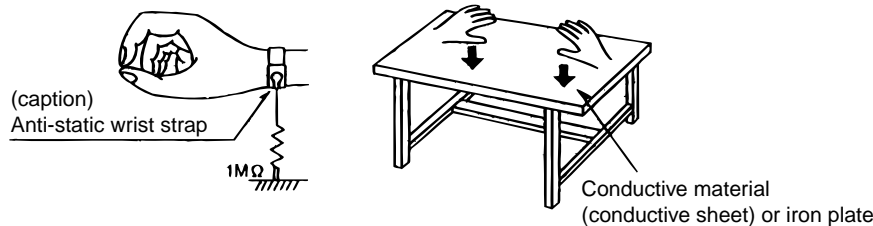
Be careful to use proper grounding in the area where repairs are being performed.

2-1 Ground the workbench

Ground the workbench by laying conductive material (such as a conductive sheet) or an iron plate over it before placing the traverse unit (optical pickup) on it.

2-2 Ground yourself

Use an anti-static wrist strap to release any static electricity built up in your body.



3. Handling the optical pickup

1. In order to maintain quality during transport and before installation, both sides of the laser diode on the replacement optical pickup are shorted. After replacement, return the shorted parts to their original condition. (Refer to the text.)

2. Do not use a tester to check the condition of the laser diode in the optical pickup. The tester's internal power source can easily destroy the laser diode.

4. Handling the CD changer unit (optical pickup)

1. Do not subject the CD changer unit (optical pickup) to strong shocks, as it is a sensitive, complex unit.

2. Cut off the shorted part of the flexible cable using nippers, etc. after replacing the optical pickup. For specific details, refer to the replacement procedure in the text. Remove the anti-static pin when replacing the CD changer unit. Be careful not to take too long a time when attaching it to the connector.

3. Handle the flexible cable carefully as it may break when subjected to strong force.

4. It is not possible to adjust the semi-fixed resistor that adjusts the laser power. Do not turn it

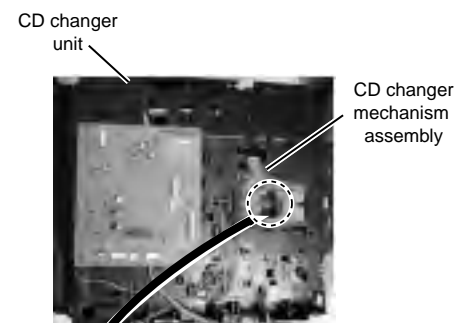


Fig.1

Attention when traverse unit is decomposed

***Please refer to "Disassembly method" in the text for pick-up and how to detach the CD changer mechanism.**

1. Remove the CD changer unit.
2. Disconnect the harness from connector on the CD motor board.
3. Solder is put up before the card wire is removed from connector CN601 on the main board as shown in Fig.1 and Fig. 2.
(When the wire is removed without putting up solder, the CD pick-up assembly might destroy.)
4. Please remove solder after connecting the card wire with CN601 when you install picking up in the substrate.

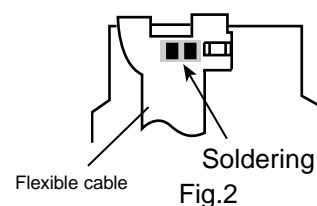


Fig.2

Disassembly method

Commence disassembly of this set by removing the main units and then proceed to the components and assemblies inside the units.

Replacement of the fuses and the power IC

- Top cover
 - CD changer unit
 - Front panel assembly
 - Chassis unit
-
- CD changer unit
 - Removing the main PCB
 - Removing the CD changer mechanism assembly
 - Removing the CD pickup
 - Replacing the loading motor and belt of the CD changer tray
 - Replacing the CD tray rotor belt of CD changer, and removing the motor
-
- Front panel assembly
 - Removing the cassette deck mechanism
 - Removing the earphone jack PCB
 - Removing the control/FL PCB
 - Removing the switch PCB and ACTIVE BASS EX. switch PCB
 - Removing the cassette deck main motor, and replacing the main belts
 - Removing the leaf switches of the cassette deck mechanism
 - Removing the cassette deck heads
-
- Chassis unit
 - Removing the 3-pin regulator
 - Removing the power amp and supply PCB and the Power Trans PCB

<Disassembly of the main blocks of this set>

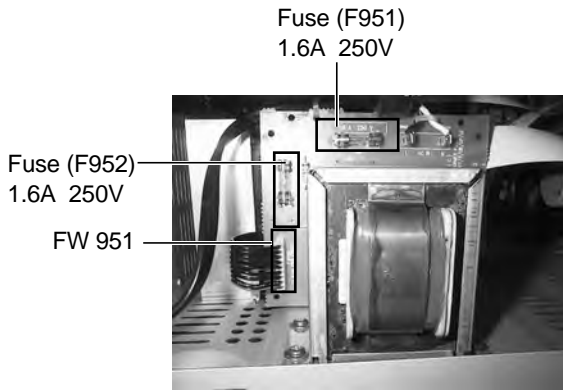
Replacement of the fuses and the power IC

■ Replacing the fuses (See Fig.1)

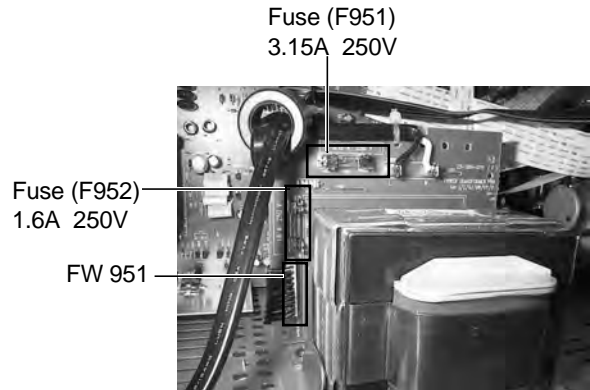
- Prior to performing the following procedure, remove the left side BOARD

1. Replace the fuses inside.

[Caution] Be sure to use fuses with the specified ratings.



For MX-K10 Fig.1(A)



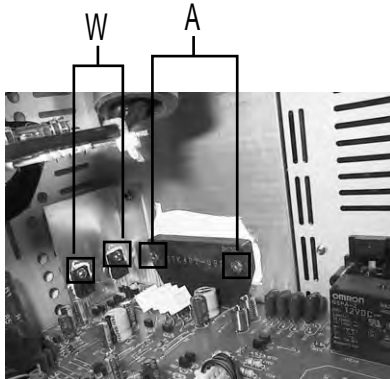
For MX-K30 Fig.1(B)

■ Replacing the power IC (See Fig.2 to 3)

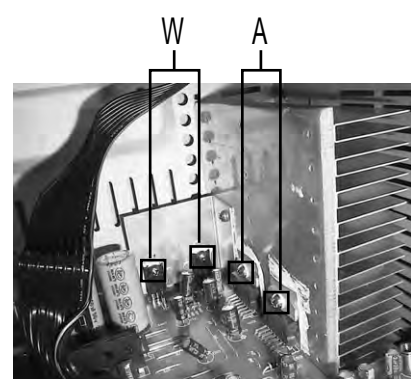
- Prior to performing the following procedure, remove the top cover.

1. Remove the two screws "A" from the heat sink between the power IC.

2. Remove the solder fixing the power IC.



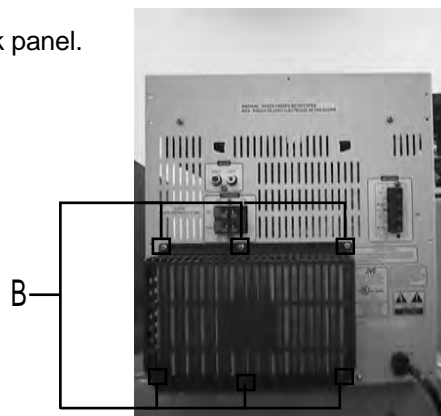
For MX-K30 Fig.3



For MX-K10 Fig.2

■ Replacing the heat sink cover

1. Remove the six screws "B" from the back panel.
2. Pull the heat sink cover outward.



■ Removing the top cover and two sides BOARD

(See Fig.5 and 6)

1. Remove the six screws "C" that retain the top cover from the rear of the body.
2. Remove the eight screws "C" and "D" that retain the top from the two sides of the body.
3. Remove the top cover from the body by lifting it toward the rear.

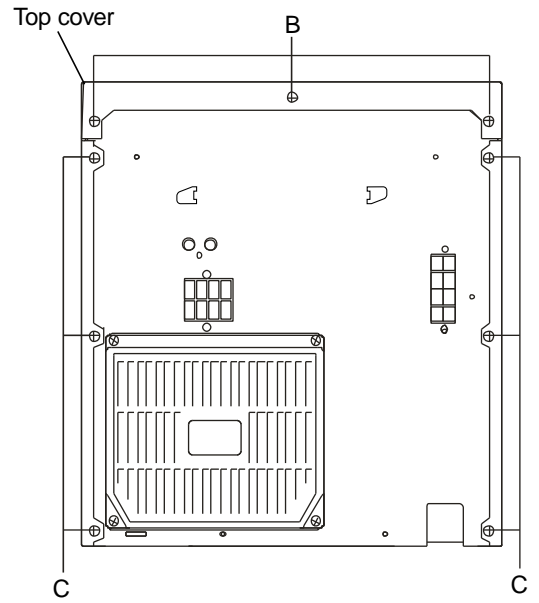


Fig.5

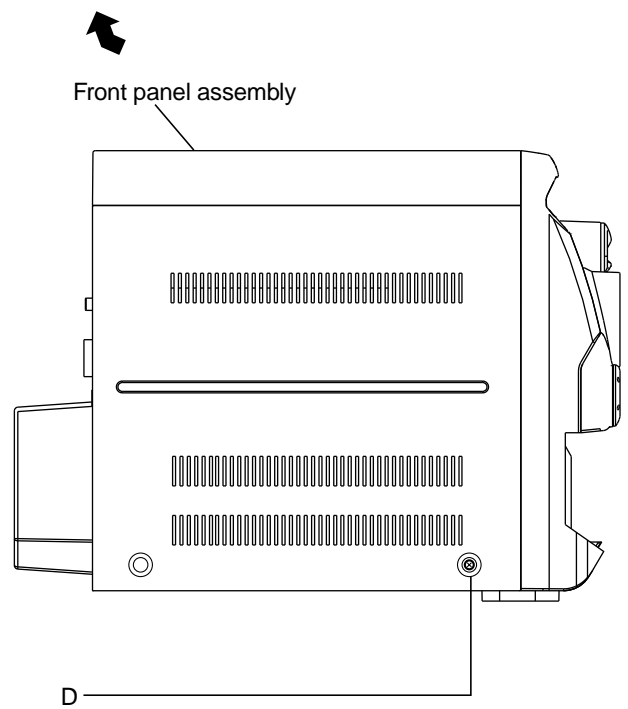
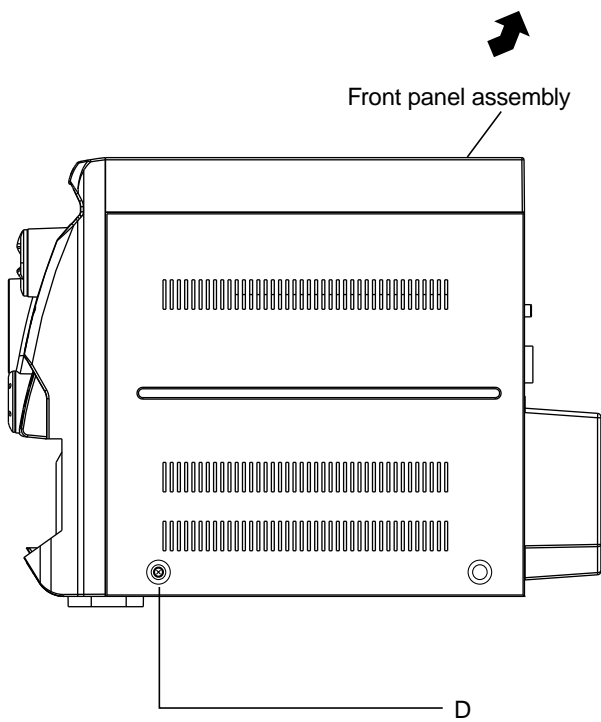


Fig.6

■ Removing the CD changer unit
(See Fig.7 to 10)

- Prior to performing the following procedures, remove the top cover and both sides BOARD

[Caution] Although the CD mechanism unit can be removed without removing the CD tray panel, it is still recommended to remove it in order to prevent damage.

- From the front panel side of this set, push in the sections marked with arrows and pull out the CD tray toward the front.
 - Remove the CD tray panel by pushing both of its extremities upward in the direction of the arrows.
 - Push the CD tray deep into the set.
- Disconnect the card wires from the CD PCB CN703 and CN203.
 - From the rear of the set, remove the two screws "E" and two screws "G" on the front panel left and right side.
 - Handle the CD changer unit rear, take out unit.

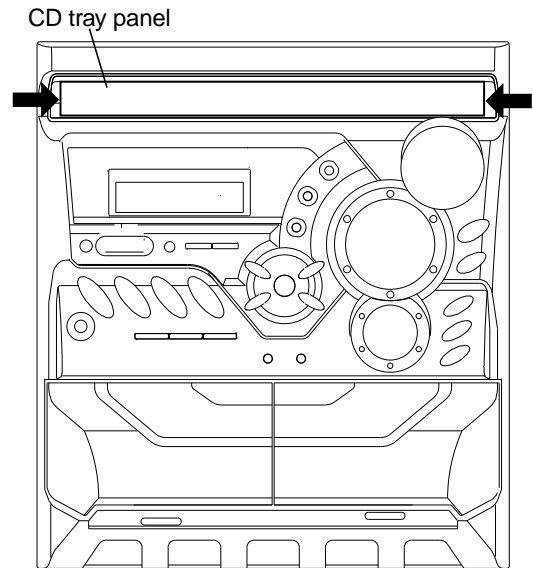


Fig.7

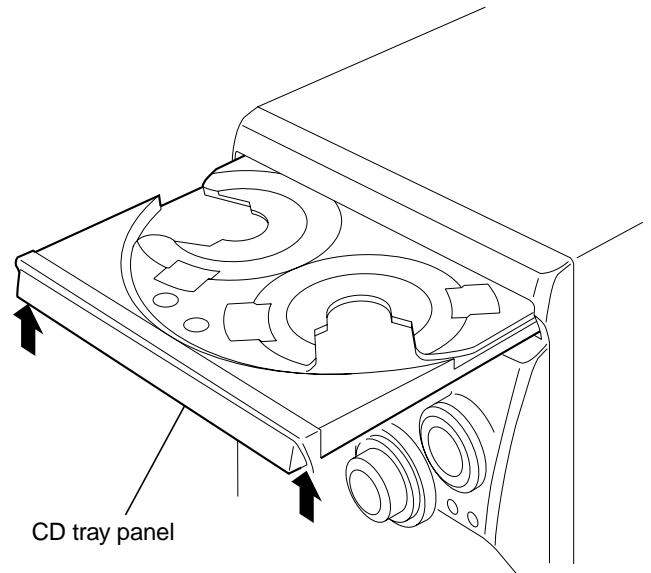


Fig.8

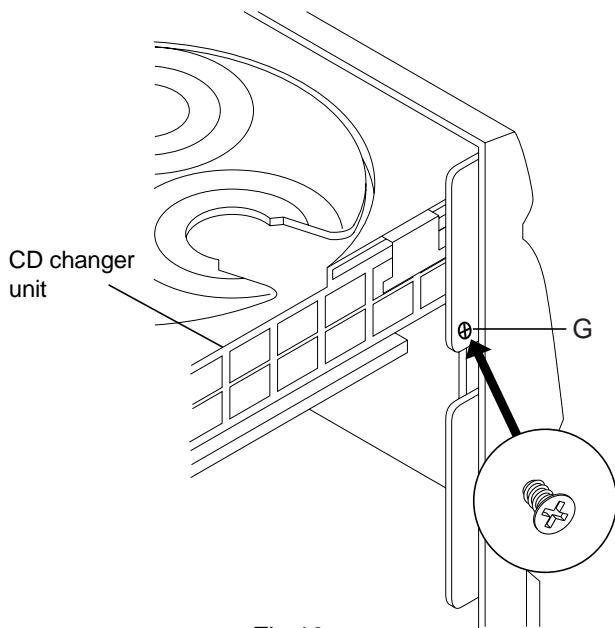


Fig.10

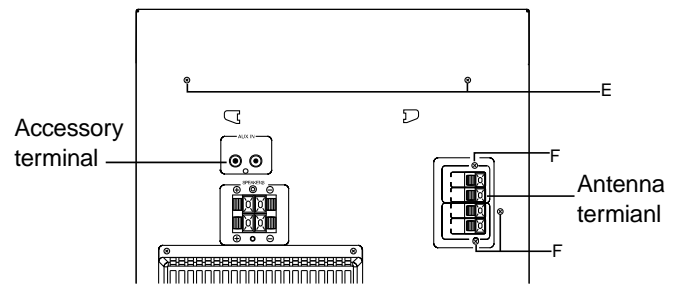


Fig.9

■ Removing the front panel assembly (See Fig.11 and 12)

- Prior to performing the following procedures, remove the top cover and both sides board.
 - Also remove the CD changer unit.
1. Disconnect the parallel wire and card wire from the connectors CN702,CN701,CN101 on the power amp and supply PCB.
 2. Remove the two screws "H" retaining the front panel assembly onto the bottom of the body.
 3. Remove the screw "I" retaining the cassette deck mechanism and then remove the GND lug "b" that comes from the power amp and supply PCB.
 4. Disengage the claws "c" on both sides at the bottom of the front panel assembly and then remove the assembly.

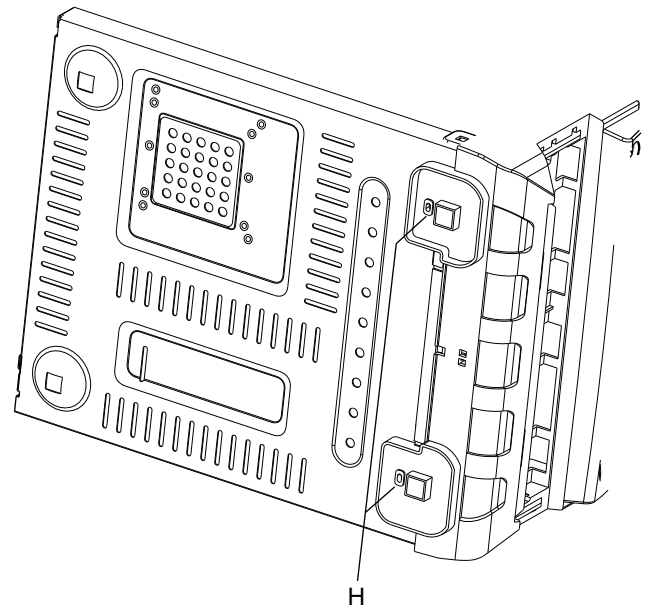


Fig.11

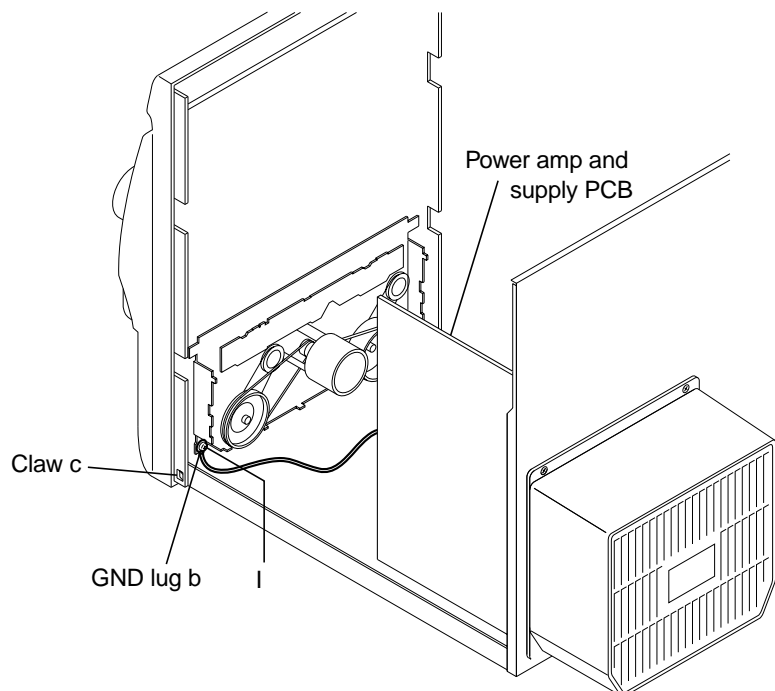


Fig.12

<Disassembly of units and assembly inside this set>

■ Removing the CD PCB

(See Fig.13 and 14)

- Prior to performing the following procedures, remove the top cover and both sides board.
 - Also remove the CD changer unit.
1. Disconnect the wires from CN603A, CN603B and CN604 on the CD PCB, which is located on the back side of the CD changer unit.
 2. The two screws "J" that retain the CD PCB should be removed.
 3. Remove the CD PCB by pulling it toward the side where the CN601 is located.
 4. Using solder, short the CD pickup to connect to short round.

[Caution] After re-connecting the wires, be sure to remove the shorting solder from the GND connection.

5. Disconnect the card wire from the connector CN601 on the main PCB and then remove the main PCB.

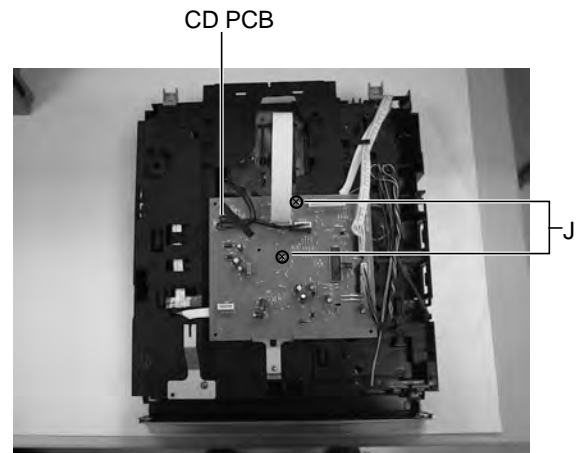


Fig.13

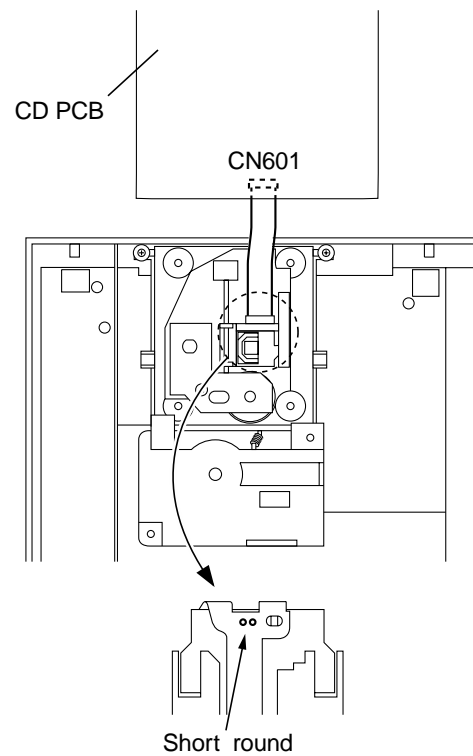


Fig.14

■ Removing the CD changer mechanism assembly (See Fig.15 to 17)

- Prior to performing the following procedures, remove the top cover and both sides board.
 - Also remove the CD changer unit.
1. Remove the screws "d" from the front chuch base of the CD changer mechanism unit.
 2. Turn the CD changer mechanism cover base and remove the screws "e" connecting the unit to the CD changer mechanism assembly.
 3. Remove the four screws "k" retaining the CD mechanism holder assembly.

[Caution] When replacing the CD changer mechanism assembly, be sure not to mistake the positions of the silver color and copper color spring .

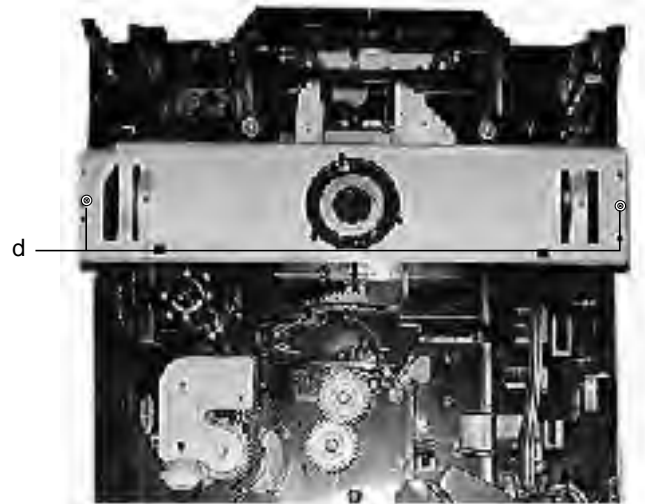


Fig.15

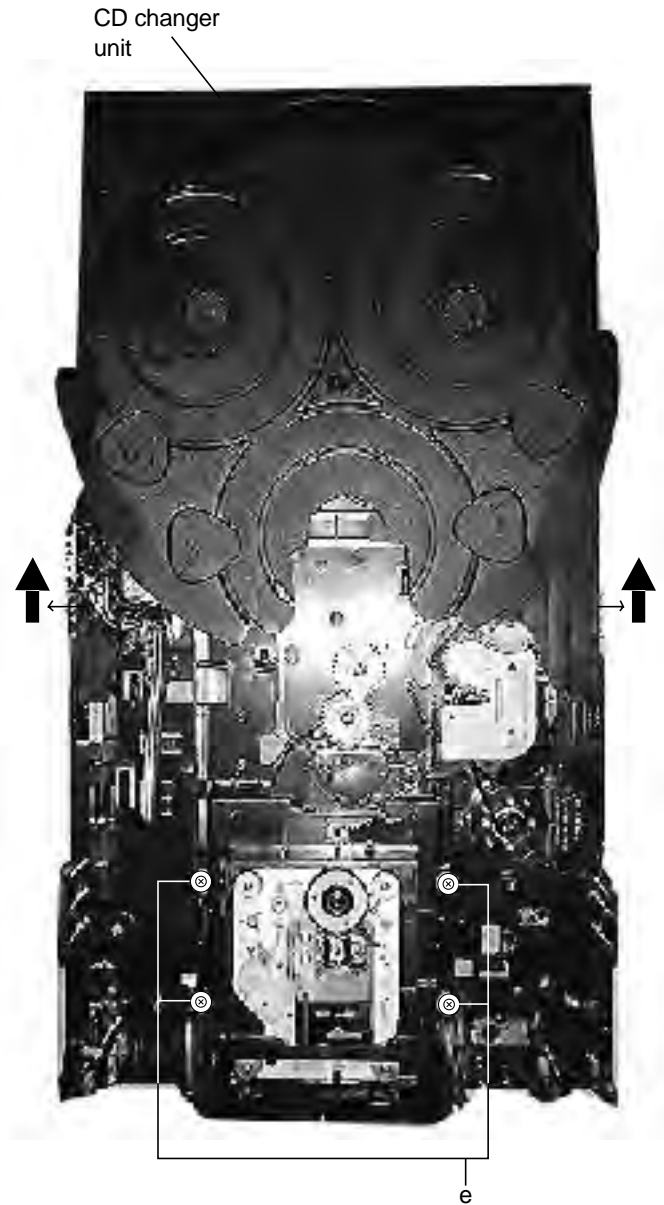


Fig.16

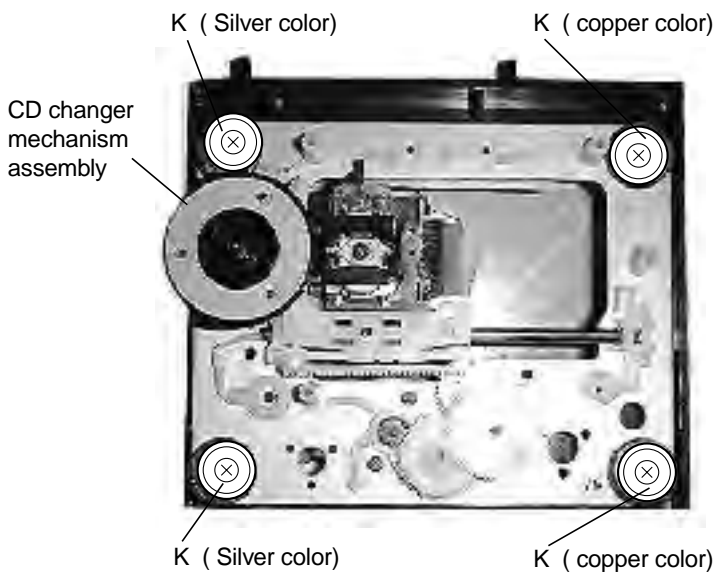


Fig.17

■ Removing the CD pickup (See Fig.18)

- Prior to performing the following procedures, remove the top cover and both sides board.
- Also remove the CD changer unit.
- Also remove the CD changer mechanism

1. Widen the section "f".
2. While keeping the section "f" wide open, push the section "g" in the direction of the arrow to remove the shaft, and then remove the CD pickup.

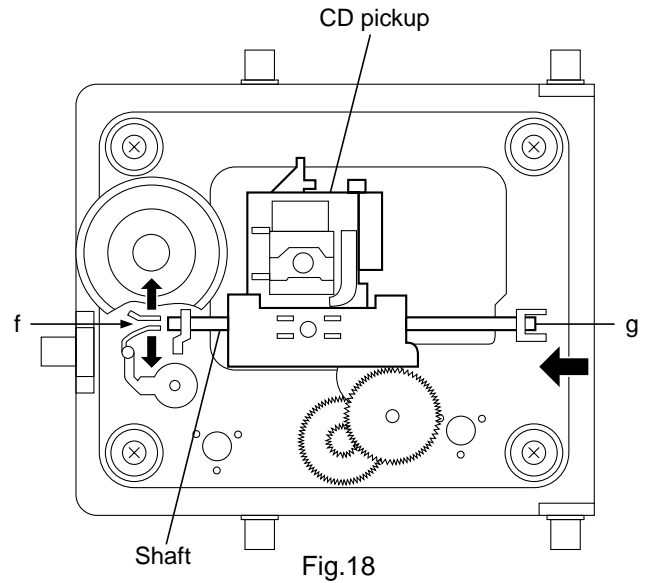


Fig.18

■ Replacing the loading motor and rotor belt of the CD changer (See Fig .19)

- Prior to performing the following procedure, remove the top cover.
- Also open the CD changer tray.

1. Remove the two screws "L" retaining the CD changer tray loading motor.
2. Remove the two screws "M" retaining the gear plate and take it out, after remove the rotor belt from the pulley.

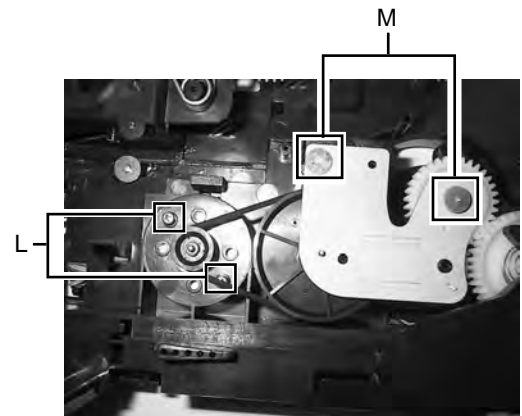


Fig.19

■ Replacing the CD turn table and removing the motor (See Fig. 20 and 21)

- Prior to performing the following procedures, remove the top cover.
- Also remove the CD changer unit.

1. Remove the one screws "N" retaining the CD (Turn table).
2. Remove the two screws "O" retaining the stopper brackets on both sides of the CD changer unit.
3. Remove the stopper brackets from both sides of the CD changer unit.
4. Pull out the CD tray from the CD changer unit, all the way and lift the tray (u/~ ward) to remove.
5. Remove the gear and after push out the tray motor locker and pull out the tray motor from the CD tray.

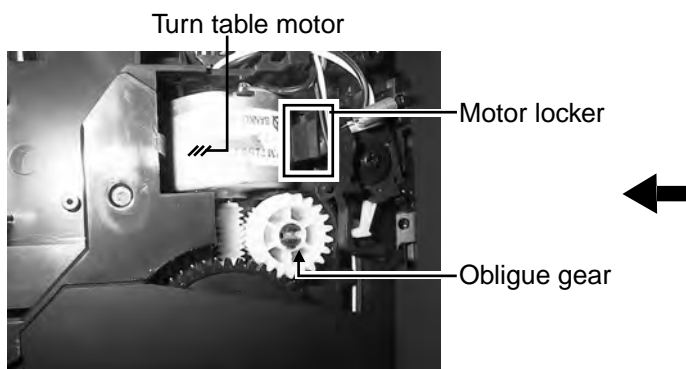


Fig.21

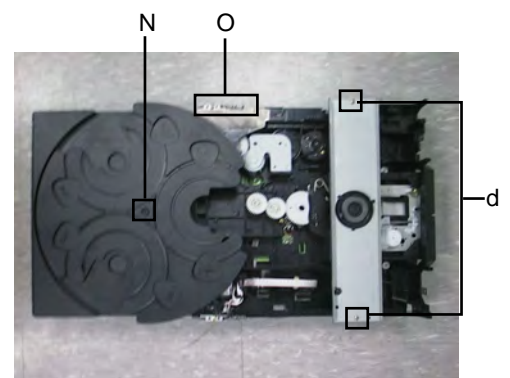


Fig.20

■ **Removing the cassette deck mechanism**
(See Fig.22)

- Prior to performing the following procedure, remove the top cover and both sides board.
- Also remove the CD changer unit.
- Also remove the front panel assembly.

1. Remove the five screws "Z" retaining the cassette deck mechanism.

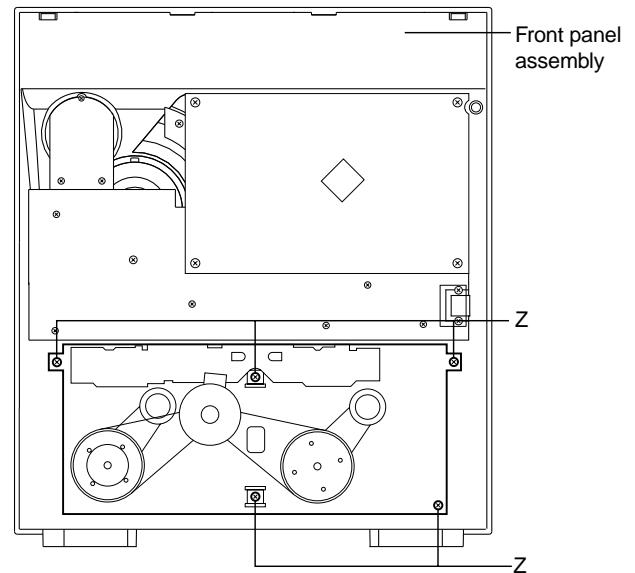


Fig.22

■ **Removing the earphone jack PCB**
(See Fig.23)

- Prior to performing the following procedure, remove the top cover and both sides board.
- Also remove the CD changer unit.
- Also remove the front panel assembly.

1. Remove the screw with the washer, "P" that retains the earphone jack PCB.

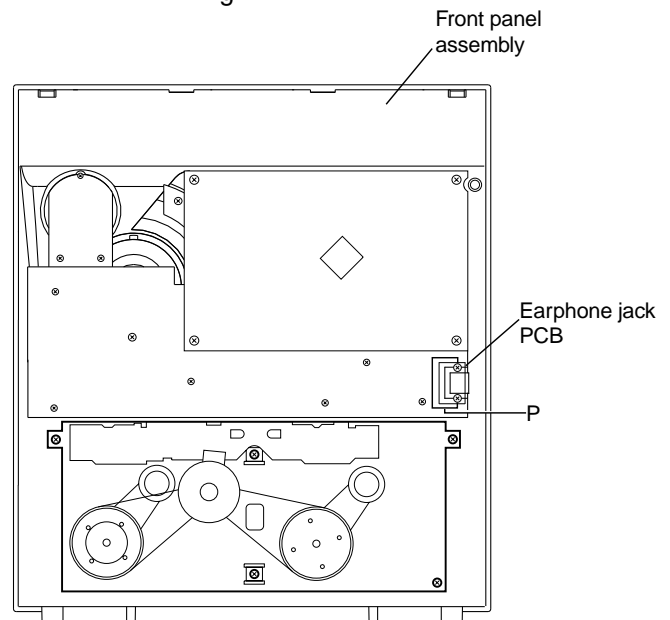


Fig.23

■ **Removing the control/FL PCB**
(See Fig.24)

- Prior to performing the following procedure, remove the top cover and both sides board. Also remove the CD changer unit.

- Also remove the CD changer unit.
- Also remove the CD changer unit.

1. Remove the three screws "Q" that retain the control/FL PCB from the back of the front panel unit.

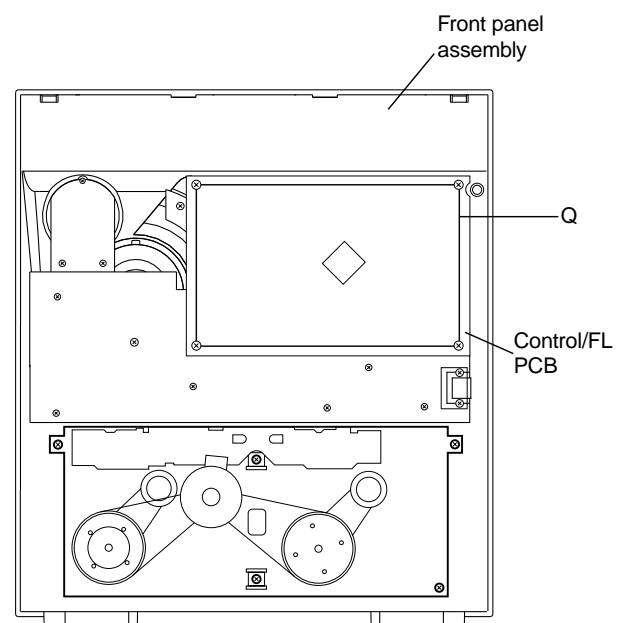


Fig.24

■ **Removing the switch PCB and sound mode and CD function switch PCB**
(See Fig.24 to 27)

- Prior to performing the following procedures, remove the top cover and both sides board.
 - Also remove the CD changer unit.
 - Also remove the front panel assembly.
1. Pull out the volume control knob from the front of the front panel assembly.
 2. Remove the four screws "Q" retaining the front panel assembly.
 3. Remove the control / FL PCB.
 4. Remove the eleven screws "R" retaining the switch (key 1) PCB.
 5. Remove the three screws "S" retaining the sound mode (key 2) switch PCB.
 6. Remove two screws "T" retaining the CD function (key 3) switch PCB.

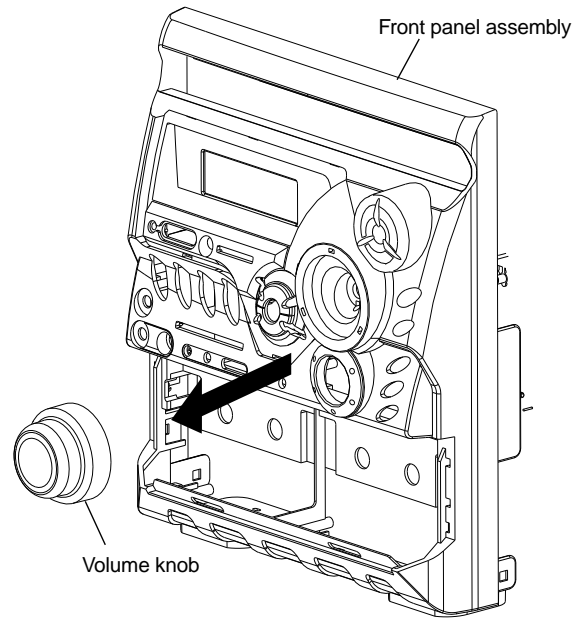


Fig.25

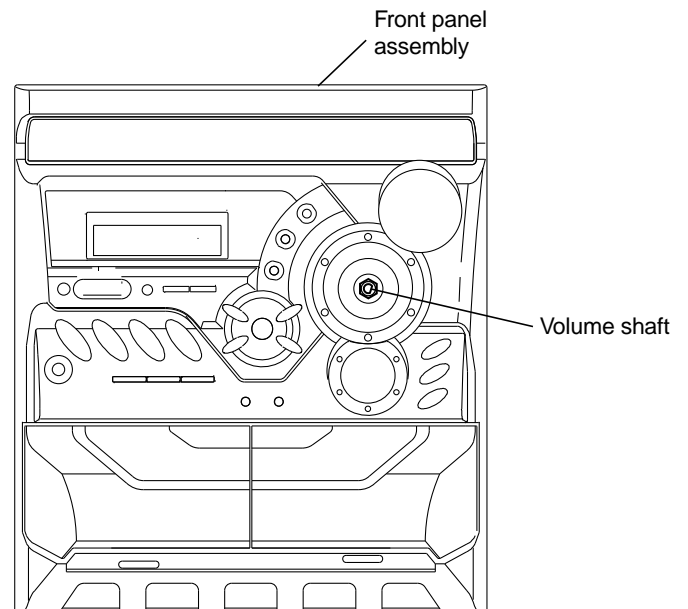


Fig.26

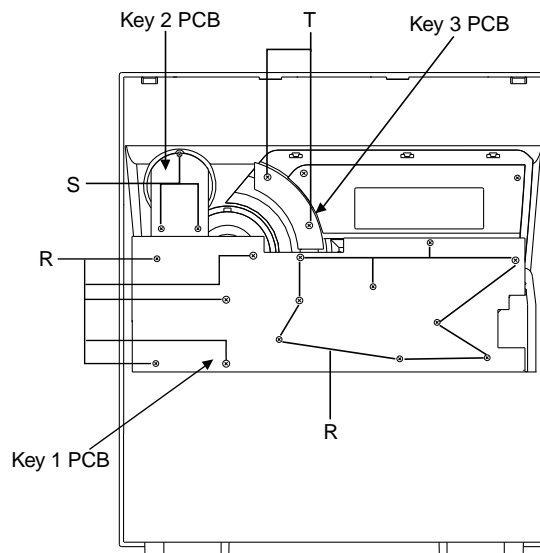


Fig.27

■ **Removing the cassette deck main motor, and replacing the main belts**
(See Fig.22, 28 and 29)

- Prior to performing the following procedures, remove the top cover and both sides board.
 - Also remove the CD changer unit.
 - Also remove the front panel assembly.
1. Remove the five screws "z" retaining the cassette deck mechanism.
 2. Remove the cassette deck mechanism.
 3. Remove the two screws "t" retaining the main motor from the front side of the cassette deck.

[Caution] After attaching the main motor, check the orientation of the motor and the polarity of the wires.

4. From the backside of the cassette deck, remove the main motor and two main belts.

[Caution] The lengths of the cassette A (playback only) and cassette B (record/play) main belts are different. When attaching the main belts, use the longer belt for cassette A.

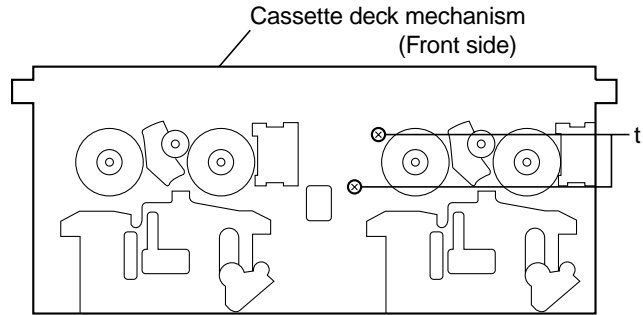


Fig.28

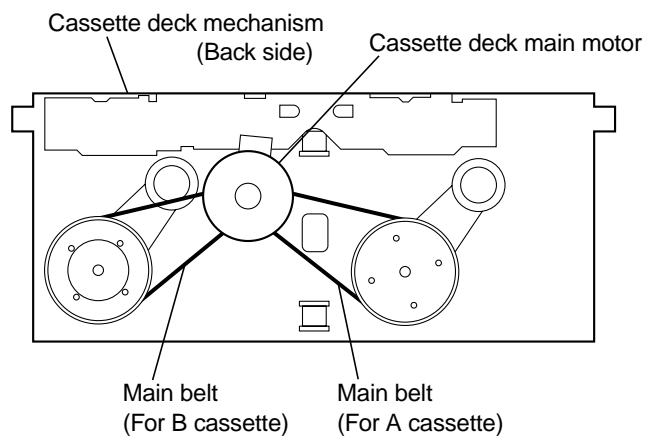


Fig.29

■ **Removing the leaf switches of the cassette deck mechanism**
(See Fig.22 and 30)

- Prior to performing the following procedures, remove the top cover and both sides board
 - Also remove the CD changer unit.
 - Also remove the front panel assembly.
1. Remove the five screws "O" that retain the cassette deck mechanism.
 2. Remove the cassette deck mechanism.
 3. Turn the cassette deck mechanism upside down.
 4. Remove the solder from around the leaf switches.
 5. Pull out the leaf switches from the front side of the cassette deck mechanism.

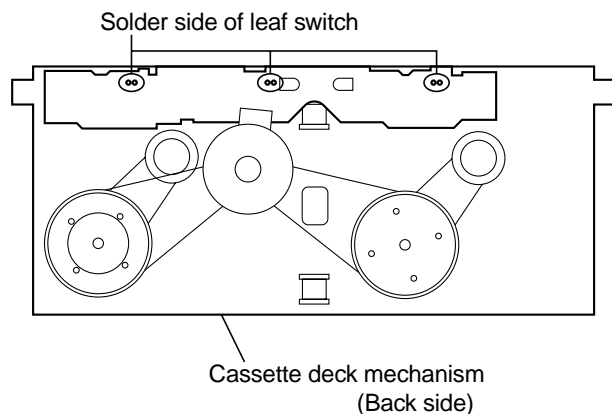


Fig.30

■ Removing the cassette deck heads (See Fig.22 and 31)

- Prior to performing the following procedures, remove the top cover and both sides board.
 - Also remove the CD changer unit.
 - Also remove the front panel assembly.
1. Remove the five screws "O" that retain the cassette deck mechanism.
 2. Remove the cassette deck mechanism and place it so that the front side faces up.
 3. Remove the solder from the bottom side of the head terminal and disconnect the wire.
 4. Remove the screw "U" that retains the head.
 5. Remove the screw "V" that retains the head.
 6. Hold the head and slide it in the direction of the arrow to remove it.

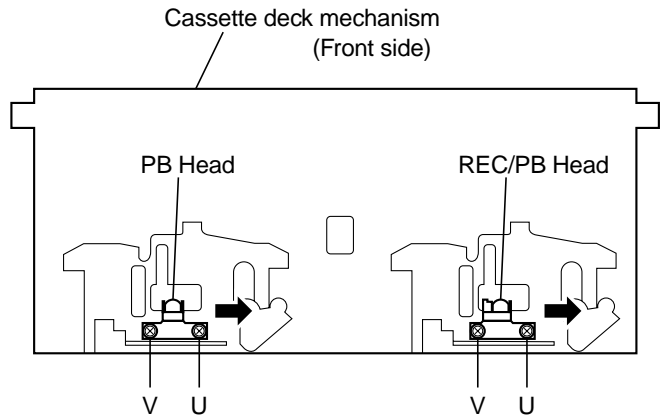
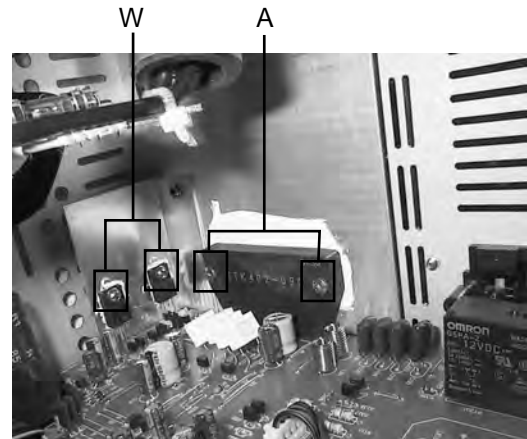


Fig.31

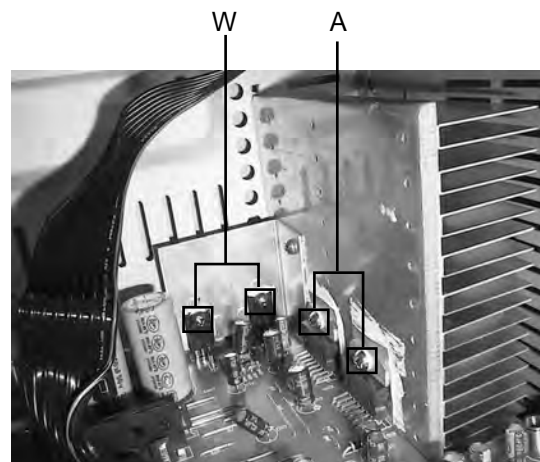
■ Removing the 3-pin regulator Q904, Q907 (See Fig. 32 and 33)

- Prior to performing the following procedures, remove the top cover and both sides board.
1. Remove the two screws "A" that connect the heat sink cover to the rear panel.
 2. Pull the heat sink outward.
 3. Remove the screw "W" that retains the heat sink the 3-pin terminal regulator. Q904, Q907
 4. Remove the solder fixing the 3-pin regulator.



For MX-K30

Fig.32



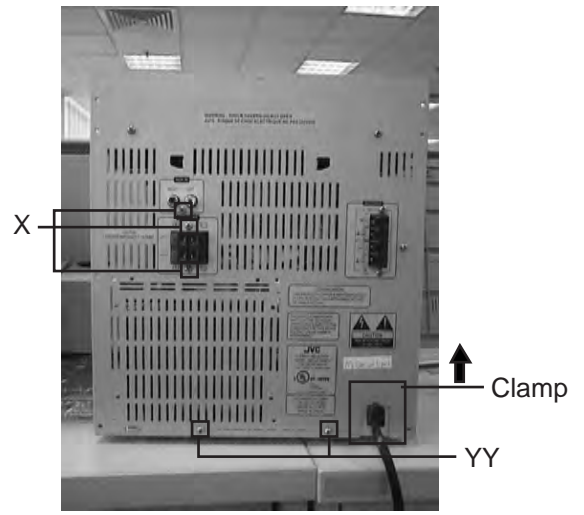
For MX-K10

Fig.33

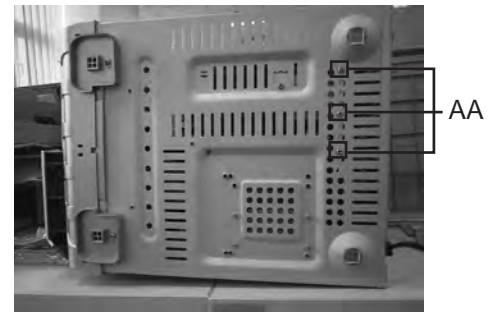
■ Removing the power amp and supply PCB and the power trans PCB

(See Fig.2, 3, 32, 34 to 37)

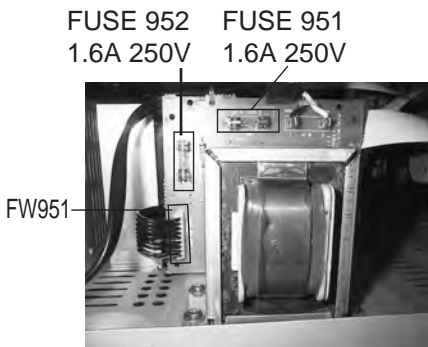
- Prior to performing the following procedures, remove the top cover and both sides board. Also remove heat sink cover.(Fig. 4)
1. Remove the two screws "A" connecting the heat sink cover to the rear panel.(Fig. 2.3)
 2. Pull out the heat sink cover toward you.
 3. Remove the three (MX-K10)/ four(MX-K30)screws "AA" from the (MX-K10) chassis /MX-K30 back panel between the heat sink.
 3. Remove the two screws "X" that retain the speaker terminals and AUX terminal.
 4. Remove the screw "YY" that retains the rear panel, and then remove the rear panel.
 5. Disconnect the parallel wires from the connectors FW951 on the power trans PCB.
 6. Remove the screw "Z" that retain the power amp and supply PCB and then remove the assembly.
 7. Remove the clamp of AC power cord from the chassis.
 8. Remove the four screws "AB" that retain the power trans PCB and then remove the assembly.



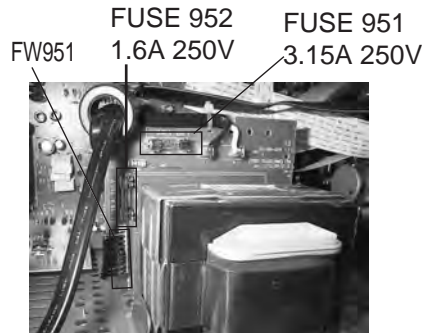
For MX-K10 Fig.34 (A)



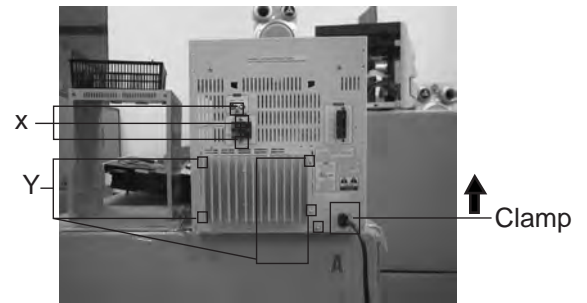
For MX-K10 Fig.34 (B)



For MX-K10 Fig.35 (A)



For MX-K30 Fig.35 (B)



For MX-K30 Fig.34 (B)

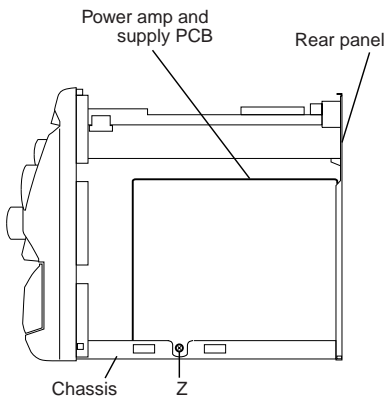
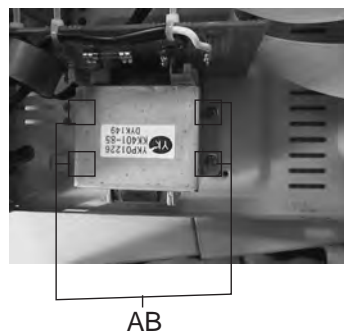
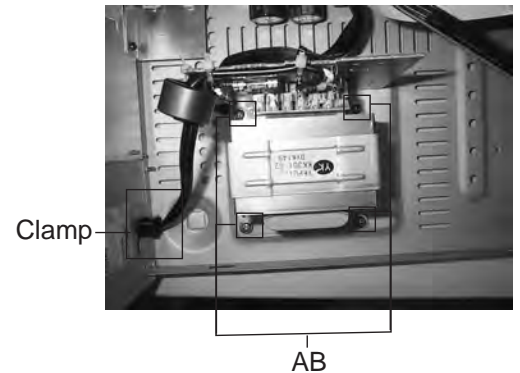


Fig.36



For MX-K10 Fig.37 (A)



For MX-K30 Fig.37 (B)

Adjustment method

Measurement instruments required for adjustment

1. Low frequency oscillator,
This oscillator should have a capacity to output 0dB to 600ohm at an oscillation frequency of 50Hz-20kHz.
2. Attenuator impedance : 600ohm
3. Electronic voltmeter
4. Frequency counter
5. Wow flutter meter
6. Test tape
VT712 : For Tape speed and wow flutter (3kHz)
VT703 : For Head azimuth(10kHz)
7. Blank tape
TAPE I : AC-225, TAPE II : AC-514
8. Torque gauge : For play and back tension
Forward ; TW2111A, Reverse ; TW2121A
Fast Forward and Rewind ; TW2231A
9. Test disc
: CTS-1000(12cm),GRG-1211(8cm)
10. Jitter meter

Measurement conditions

Power supply voltage
AC120V (60Hz)

Measurement
output terminal : Speaker out
: TP101(Measuring for TUNER/DECK/CD)
: Dummy load 6ohm

Radio input signal

AM modulation frequency : 400Hz
Modulation factor : 30%
FM modulation frequency : 400Hz
Frequency displacement : 22.5kHz

Frequency Range

AM 531kHz~1710kHz
FM 87.5MHz~108MHz

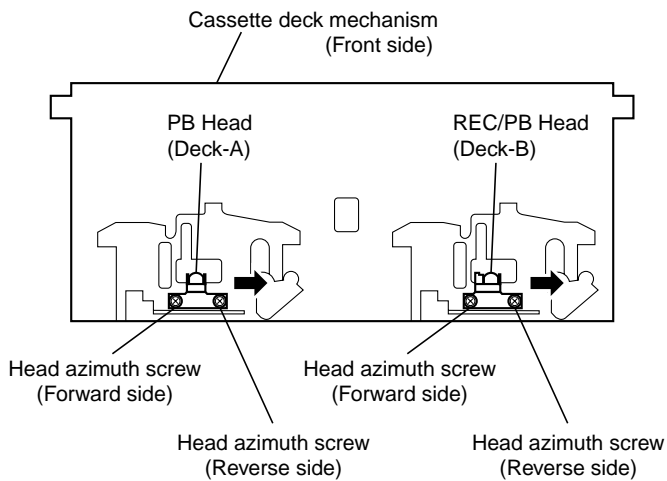
Standard measurement positions of volume and switch

Power : Standby (Light STANDBY Indicator)
S,A,BASS : OFF
Sound mode : OFF
Main VOL. : 0 Minimum
Travers mecha set position : Disc 1
Mic MIX VOL : MAX
ECHO : OFF

Precautions for measurement

1. Apply 30pF and 33kohm to the IF sweeper output side and 0.082 μ F and 100kohm in series to the sweeper input side.
2. The IF sweeper output level should be made as low as possible within the adjustable range.
3. Since the IF sweeper is a fixed device, there is no need to adjust this sweeper.
4. Since a ceramic oscillator is used, there is no need to perform any MPX adjustment.
5. Since a fixed coil is used, there is no need to adjust the FM tracking.
6. The input and output earth systems are separated. In case of simultaneously measuring the voltage in both of the input and output systems with an electronic voltmeter for two channels, therefore, the earth should be connected particularly.
7. In the case of BTL connection amplifier, the minus terminal of speaker is not for earthing. Therefore, be sure not to connect any other earth terminal to this terminal. This system is of an OTL system.

■ Arrangement of adjusting positions



Main P.C.B.



TUNER P.C.B.



■ Tape recorder section

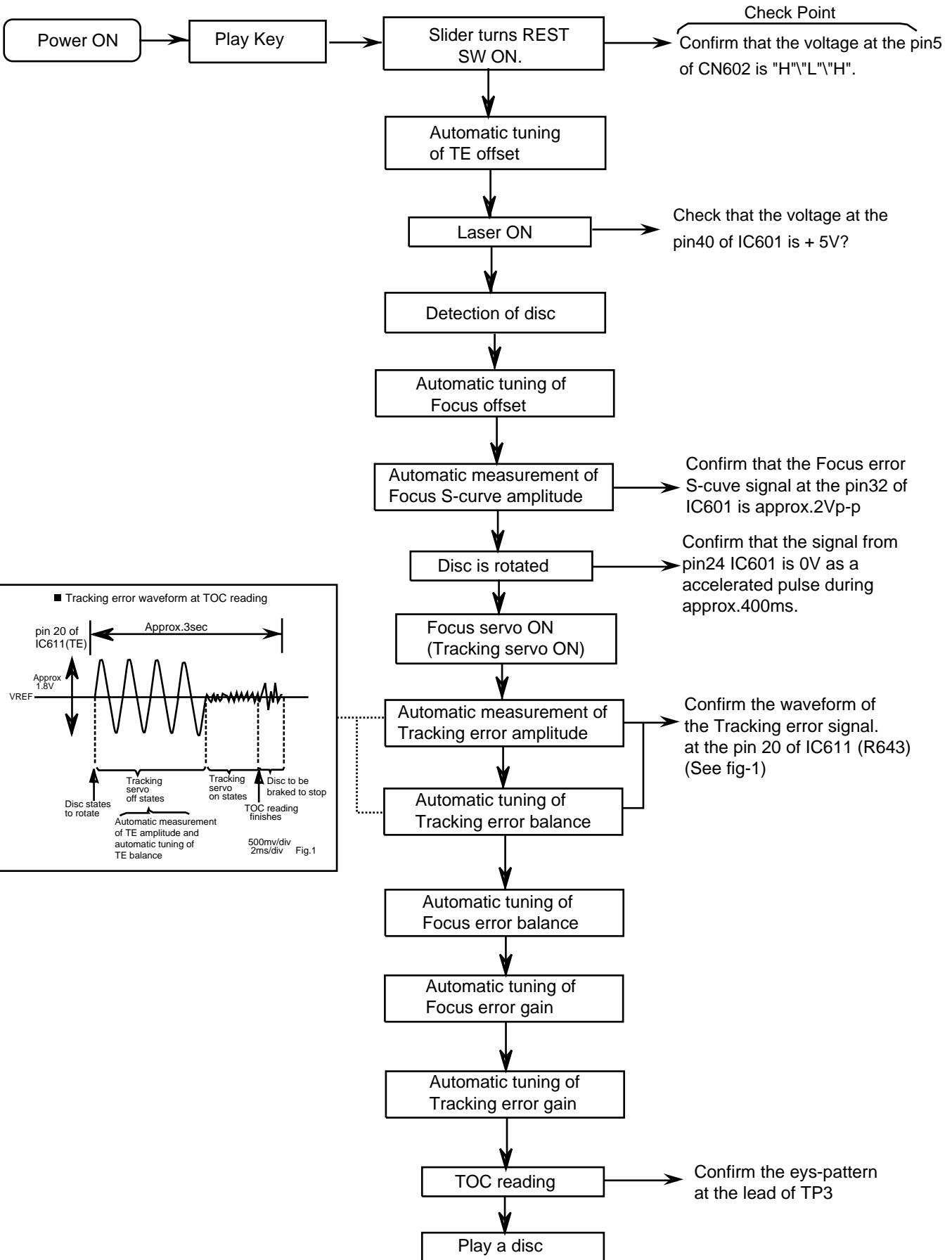
Items	Measurement conditions	Measurement method	Standard values	Adjusting positions
Cassette Head Azimuth Alignments	Test tape : VT703 (10kHz) Measurement output terminal : Left and Right speaker output (6-ohm loaded) or Headphone Output (32-ohm loaded)	1. Playback the test tape VT703 (10kHz) or equivalent. 2. Adjust the head azimuth screw to obtain maximum output and both output of L / R is in 3dB. 3. Put on the screw lock paint after alignments.	Maximum output	Adjust the head azimuth screw only when the head has been changed.
Recording Bias Frequency Alignment	Test tape : TYPE II AC-514 Measurement output terminal : Erase head terminal (CN308 8-Pin)	1. Insert the recording tape in deck-B. 2. Starting the recording. 3. Adjust the oscillation frequency to 80kHz \pm 3kHz by core of Oscillation coil of L301.	80kHz \pm 3kHz	Use the High-Impedance Probe for Frequency counter input.

■ Tuner section

Items	Measurement conditions	Measurement method	Standard values	Adjusting positions
AM Tracking Alignments	Input signal : 530kHz (529kHz) 600kHz (603kHz) Adjustment point : Antenna coil (L2)	1. Set the Signal Generator signal to 530kHz (529kHz) the feed to Loop Antenna. 2. Receiving the signal and the adjust the OSC coil (L2) obtain the V.T is 1.40V \pm 0.05V. 3. Change the receiving frequency to 600kHz (603kHz). 4. Adjust the Antenna coil (L2) obtain maximum sensitivity. (Adjust the SSG output to out of AGC range.)	V.T : 1.40V \pm 0.05V Maximum sensitivity	Adjust the OSC coil only when the AM coil block has been changed.
AM IFT Alignments	Input signal : 530kHz (529kHz) Adjustment point : IFT (T1)	1. Set the receiving frequency to 530kHz (529kHz) 2. Feed the 450kHz signal to AM antenna input. 3. Adjust the IFT Block T1 obtain to maximum output. (Adjust the SSG output to out of AGC range.)	Maximum output	Adjust the IFT only when the IFT block has been changed.

Note: The adjustment of CD section is not required.

Flow of functional operation until TOC read

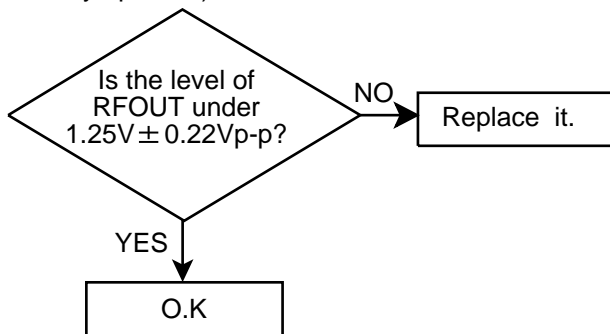


Maintenance of laser pickup

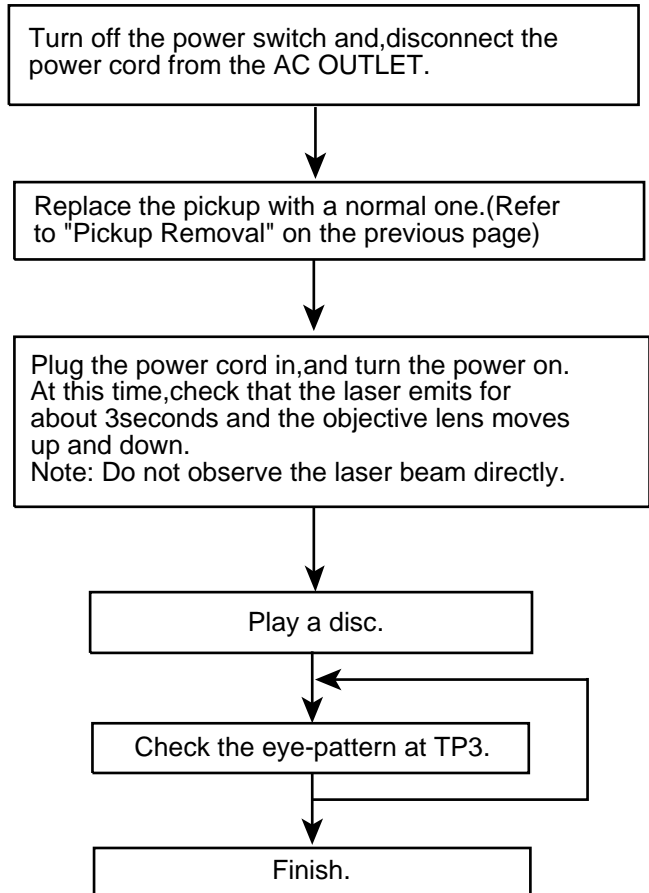
(1) Cleaning the pick up lens
 Before you replace the pick up, please try to clean the lens with a alcohol soaked cotton swab.

(2) Life of the laser diode
 When the life of the laser diode has expired, the following symptoms will appear.

1. The level of RF output (EFM output: amplitude of eye pattern) will below.



Replacement of laser pickup



(3) Semi-fixed resistor on the APC PC board

The semi-fixed resistor on the APC printed circuit board which is attached to the pickup is used to adjust the laser power. Since this adjustment should be performed to match the characteristics of the whole optical block, do not touch the semi-fixed resistor.

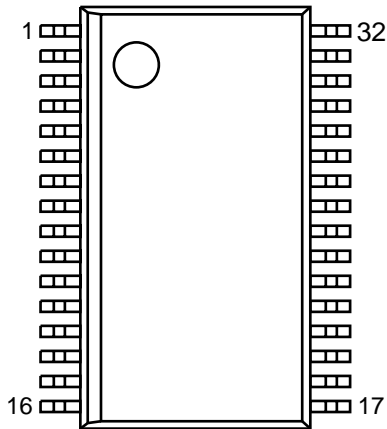
If the laser power is lower than the specified value, the laser diode is almost worn out, and the laser pickup should be replaced.

If the semi-fixed resistor would be adjusted when the pickup operates normally, the laser pickup may be damaged due to excessive current.

Description of major ICs

■ AN22000A (IC611) : CD-DA Head Amp.

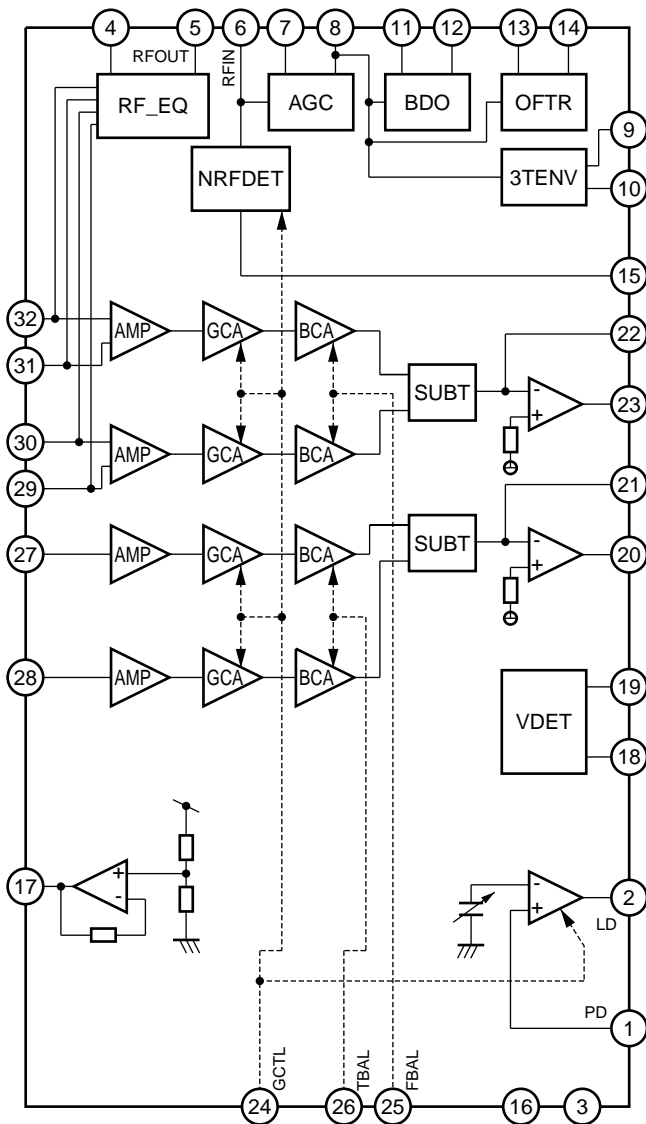
1. Terminal layout



2. Pin function

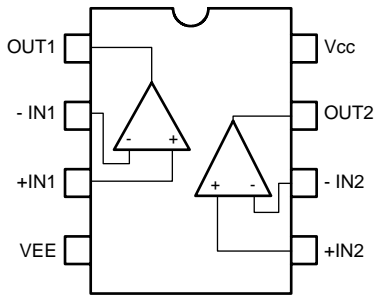
Pin No.	Symbol	I/O	Function	Pin No.	Symbol	I/O	Function
1	PD	I	APC Amp. input terminal	15	NRFDET	O	NRFDET output terminal
2	LD	O	APC Amp. output terminal	16	GND	-	Ground
3	VCC	-	Power supply terminal	17	VREF	O	VREF output terminal
4	RFN	I	RF adder Amp. inverting input terminal	18	VDET	O	VDET output terminal
5	RFOUT	O	RF adder Amp. output terminal	19	TEBPF	I	VDET output terminal
6	RFIN	I	AGC input terminal	20	TEOUT	O	TE Amp. output terminal
7	CAGC	I	Input terminal for AGC loop filter capacitor	21	TEN	I	TE Amp. inverting input terminal
8	ARF	O	AGC output terminal	22	FEN	I	FE Amp. inverting input terminal
9	CBA	I	Capacitor connecting terminal for HPF-Amp.	23	FEOUT	O	FE Amp. output terminal
10	3TOUT	O	3 TENV output terminal	24	GCTL	O	GCTL & APC terminal
11	CBOO	I	Capacitor connecting terminal for envelope detection on the darkness side	25	FBAL	O	FBAL control terminal
12	BDO	O	BDO output terminal	26	TBAL	O	TBAL control terminal
13	COFTR	I	Capacitor connecting terminal for envelope detection on the light side	27	E	I	Tracking signal input terminal 1
14	OFTR	O	OFTR output terminal	28	F	I	Tracking signal input terminal 2
				29	D	I	Focus signal input terminal 4
				30	B	I	Focus signal input terminal 3
				31	C	I	Focus signal input terminal 2
				32	A	I	Focus signal input terminal 1

3. Block diagram



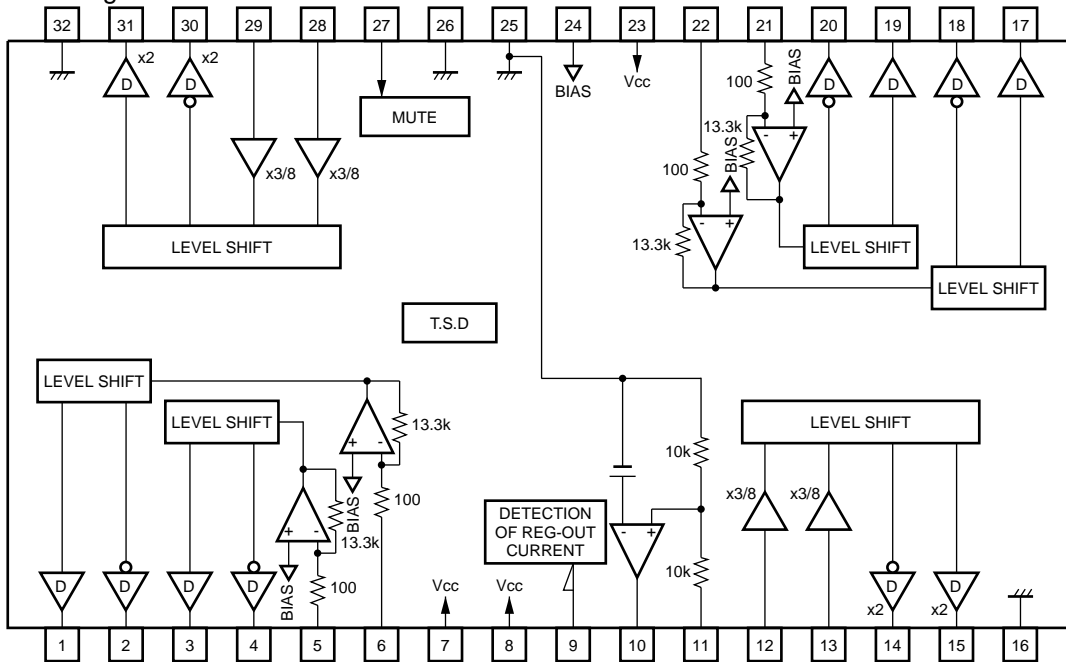
■ BA15218DIP (IC102) : Dual low noise operational amp.

1. Terminal layout



■ BA5936S (IC621) : 6 channel BTL driver

1. Block diagram

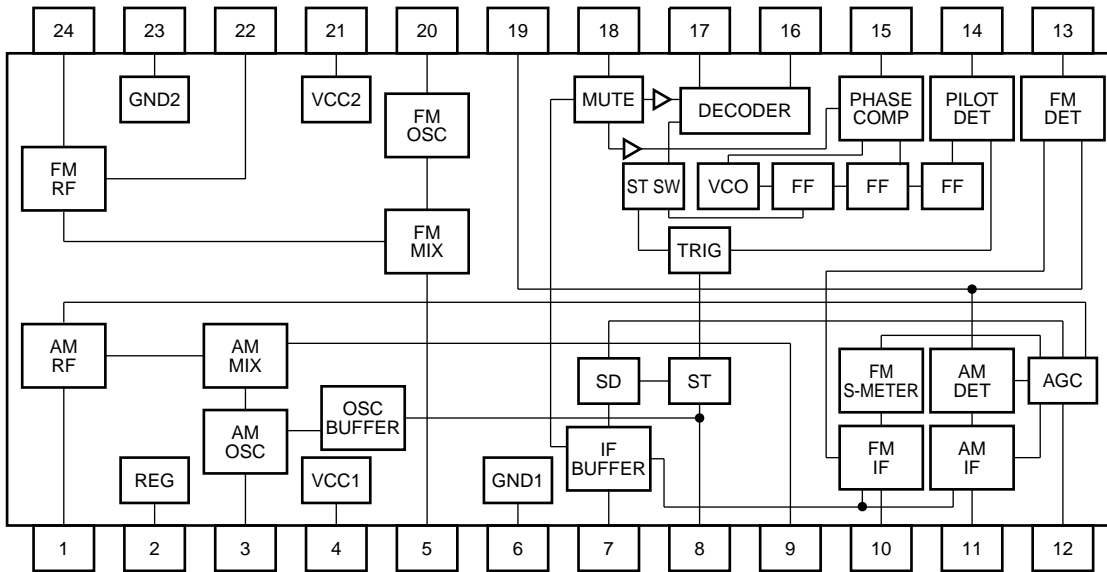


2. Pin function

Pin No.	Symbol	I/O	Function	Pin No.	Symbol	I/O	Function
1	OUT1-	O	CH1 negative output	17	OUT4-	O	CH4 negative output
2	OUT1+	O	CH1 positive output	18	OUT4+	O	CH4 positive output
3	OUT2-	O	CH2 negative output	19	OUT5-	O	CH5 negative output
4	OUT2+	O	CH2 positive output	20	OUT5+	O	CH5 positive output
5	IN2	I	CH2 input	21	IN5	I	CH5 input
6	IN1	I	CH1 input	22	IN4	I	CH4 input
7	VCC	-	Power supply terminal	23	VCC	-	Power supply terminal
8	VCC	-	Power supply terminal	24	BIAS IN	I	Bias input terminal
9	REG-I	I	Regulator current detection terminal	25	GND	-	Ground
10	REG-B	O	Connect to base terminal of external transistor	26	GND	-	Ground
11	REG-OUT	O	Constant voltage output (Connect to collector terminal of external transistor)	27	MUTE IN	I	Mute input terminal
12	IN3-R	I	CH3 reverse input	28	IN6-R	I	CH6 reverse input
13	IN3-F	I	CH3 forward input	29	IN6-F	I	CH6 forward input
14	OUT3+	O	CH3 positive output	30	OUT6+	O	CH6 positive output
15	OUT3-	O	CH3 negative output	31	OUT6-	O	CH6 negative output
16	GND	-	Ground	32	GND	-	Ground

■ LA1823DIP (IC1) : 1chip AM/FM, MPX tuner system

1. Block diagram



2. Pin function

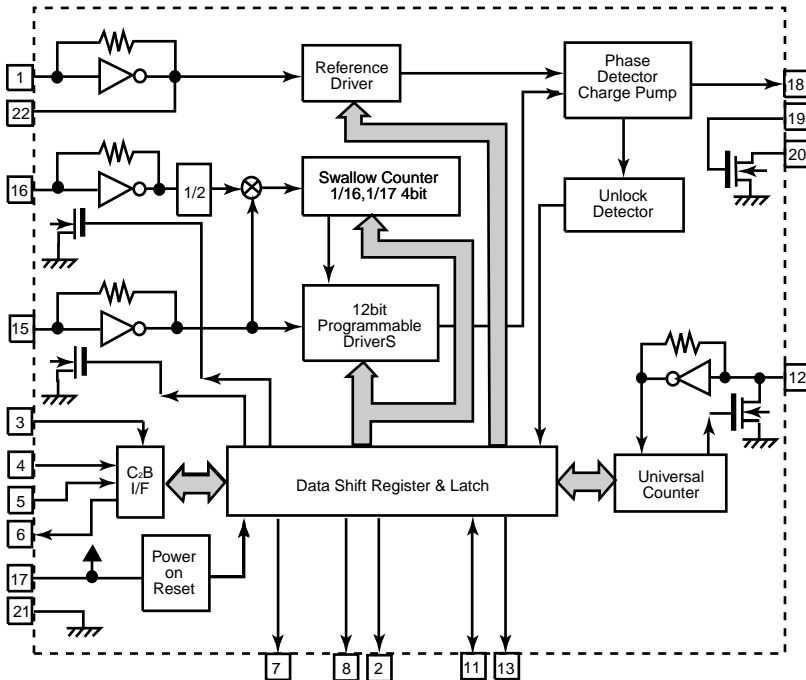
Pin No.	Symbol	I/O	Function	Pin No.	Symbol	I/O	Function
1	AM_RF IN	I	AMRF signal input	13	FM_DET	O	FM detection signal output
2	REG.	-		14	ST/MON_SW	I	Stereo/Monaural switching signal input
3	AM_OSC	-	AM local oscillation circuit	15	AM/FM_SW	I	AM/FM switching signal input
4	VCC_1	-	Power supply terminal	16	L_OUT	O	Output L-channel
5	FM_MIXOUT	O	Output terminal for FM mixer	17	R_OUT	O	Output R-channel
6	GND_1	-	Ground	18	MPX_IN	I	Multiplex signal input
7	IF_BUFFER	O	IF buffer output	19	DET_OUT	O	AM/FM detection output
8	ST_IND	O	Stereo indicator output	20	FM_OSC	-	FM local oscillation circuit
9	AM_MIXOUT	O	Output terminal for AM mixer	21	VCC_2	-	Power supply terminal
10	FM_IF IN	I	Input of FMIF signal	22	FM_RFOUT	O	Output of FMRF signal
11	AM_IF IN	I	Input of AMIF signal	23	GND_2	-	Ground
12	AGC	I	AGC voltage input terminal	24	FM_RF IN	I	Input of FMRF signal

■ LC72136N (IC2) : PLL Frequency synthesizer

1. Terminal layout

XTI	1	22	XT
FM	2	21	GND
CE	3	20	LPFI
DI	4	19	LPFO
CLOCK	5	18	PD
DO	6	17	VCC
VCOSTOP	7	16	FMIN
AM/FM	8	15	AMIN
LW	9	14	NC
MW	10	13	IFCNT
SDIN	11	12	IFIN

2. Block diagram

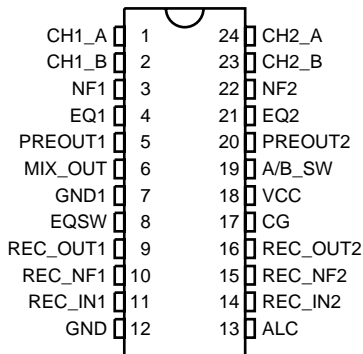


3. Pin function

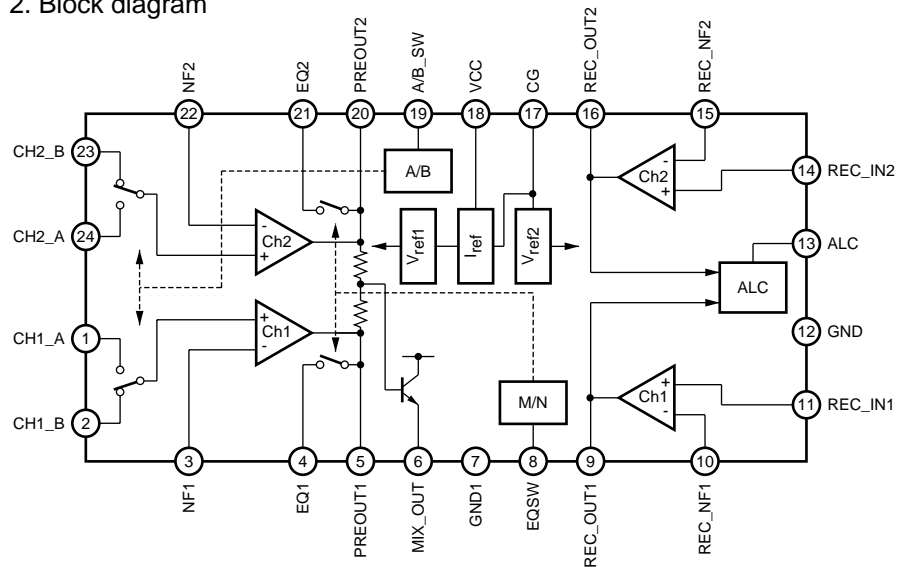
Pin No.	Symbol	I/O	Function	Pin No.	Symbol	I/O	Function
1	XTI	I	X'tal oscillator connect (75KHz)	12	IFIN	I	IF counter signal input
2	FM	O	LOW:FM mode	13	IFCNT	O	IF signal output
3	CE	I	When data output/input for 4pin(input) and 6pin(output): H	14	NC	-	Not use
4	DI	I	Input for receive the serial data from controller	15	AMIN	I	AM Local OSC signal output
5	CLOCK	I	Sync signal input use	16	FMIN	I	FM Local OSC signal input
6	DO	O	Data output for Controller Output port	17	VCC	-	Power supply(VDD=4.5~ 5.5V) When power ON:Reset circuit move
7	VCOSTOP	O	"Low": MW mode	18	PD	O	PLL charge pump output(H: Local OSC frequency Height than Reference frequency. L: Low Agreement: Height impedance)
8	AM/FM	O	Open state after the power on reset	19	LPFO	O	Output for active lowpassfilter of PLL
9	NC	-	Input/output port	20	LPFI	I	Input for active lowpassfilter of PLL
10	NC	-	Input/output port	21	GND	-	Connected to GND
11	SDIN	I/O	Data input/output	22	XT	I	X'tal oscillator(75KHz)

■ TA8189N (IC401) : REC/PB amp.

1. Terminal layout



2. Block diagram

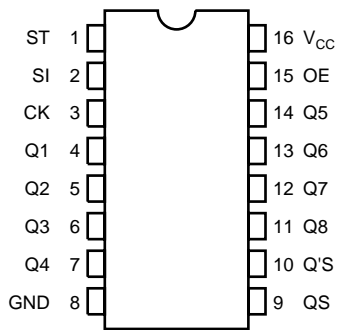


3. Pin function

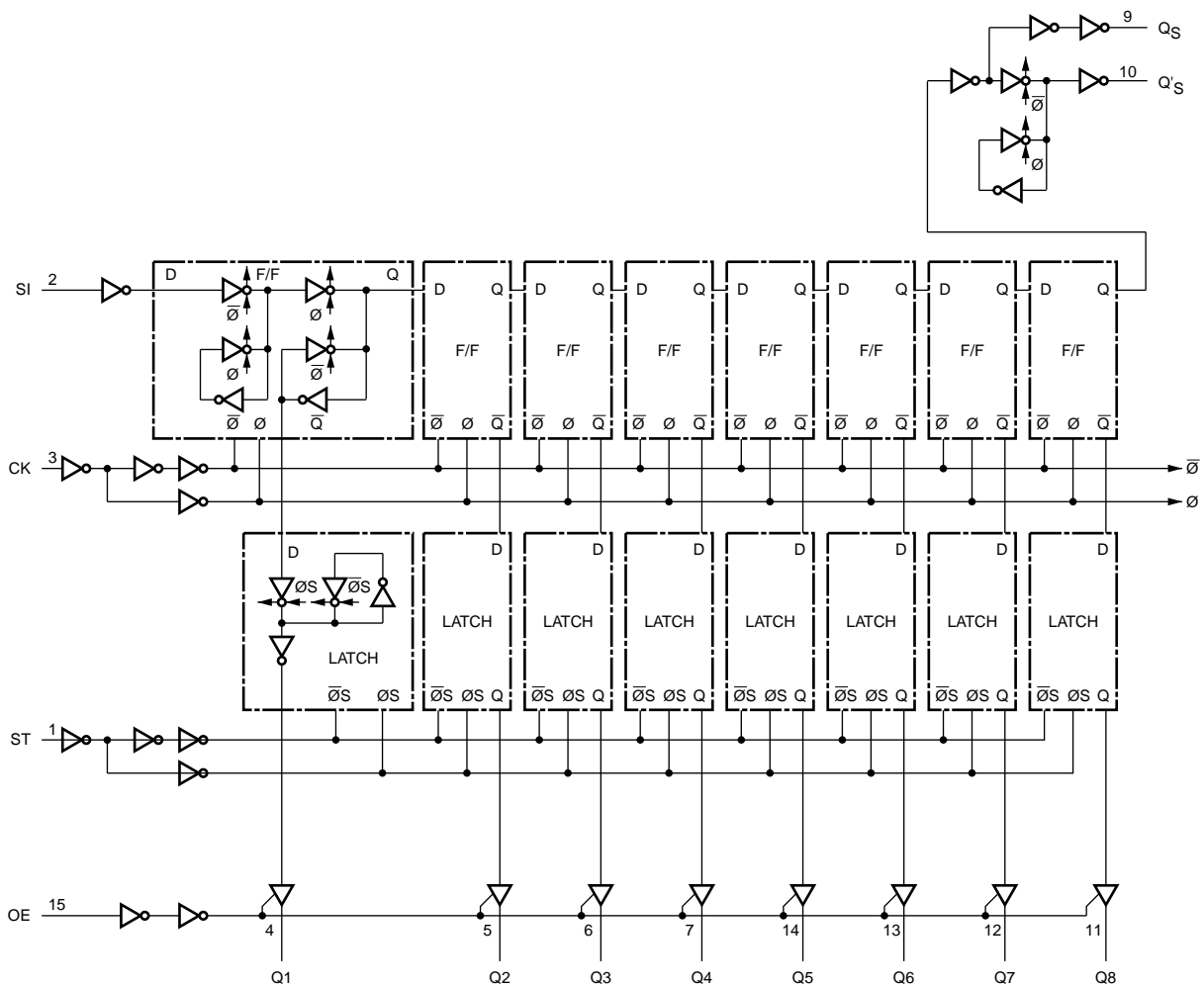
Pin No.	Symbol	I/O	Function	Pin No.	Symbol	I/O	Function
1	CH1_A	I	Input for playback amp. (Ch1): A cassette (PB)	13	ALC	I	ALC filter terminal
2	CH1_B	I	Input for playback amp. (Ch1): B cassette (REC/PB)	14	REC_IN2	I	Input for recording amp.
3	NF1	I	NF terminal for playback amp.	15	REC_NF2	I	NF terminal for recording amp.
4	EQ1	O	Metal output for playback amp.	16	REC_OUT2	O	Output for recording amp.
5	PREOUT1	O	Output terminal for playback amp.	17	CG	O	Charge detection terminal
6	MIX_OUT	O	Mixing output	18	VCC	-	Power supply terminal
7	GND1	-	Ground	19	A/B_SW	I	REC amp. Select switch (A cassette/B cassette)
8	EQSW	I	Metal/Normal mode select switch	20	PREOUT2	O	Output terminal for playback amp.
9	REC_OUT1	O	Output for recording amp.	21	EQ2	O	Metal output for playback amp.
10	REC_NF1	I	NF terminal for recording amp.	22	NF2	I	NF terminal for playback amp.
11	REC_IN1	I	Input for recording amp.	23	CH2_B	I	Input for playback amp. (Ch2): B cassette (REC/PB)
12	GND1	-	Ground terminal	24	CH2_A	I	Input for playback amp. (Ch2): A cassette (PB)

TC74HC4094AP (IC402) : 8-bit shift and store resistor

1. Terminal layout

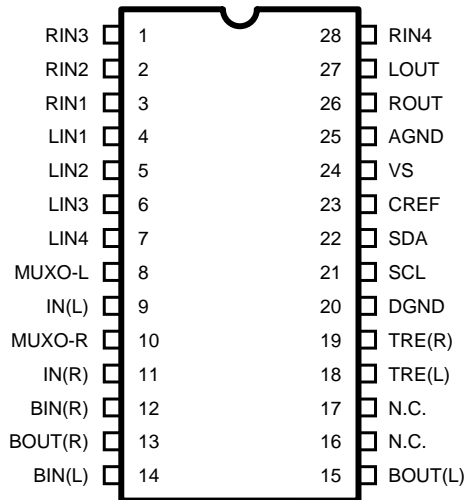


2. Block diagram

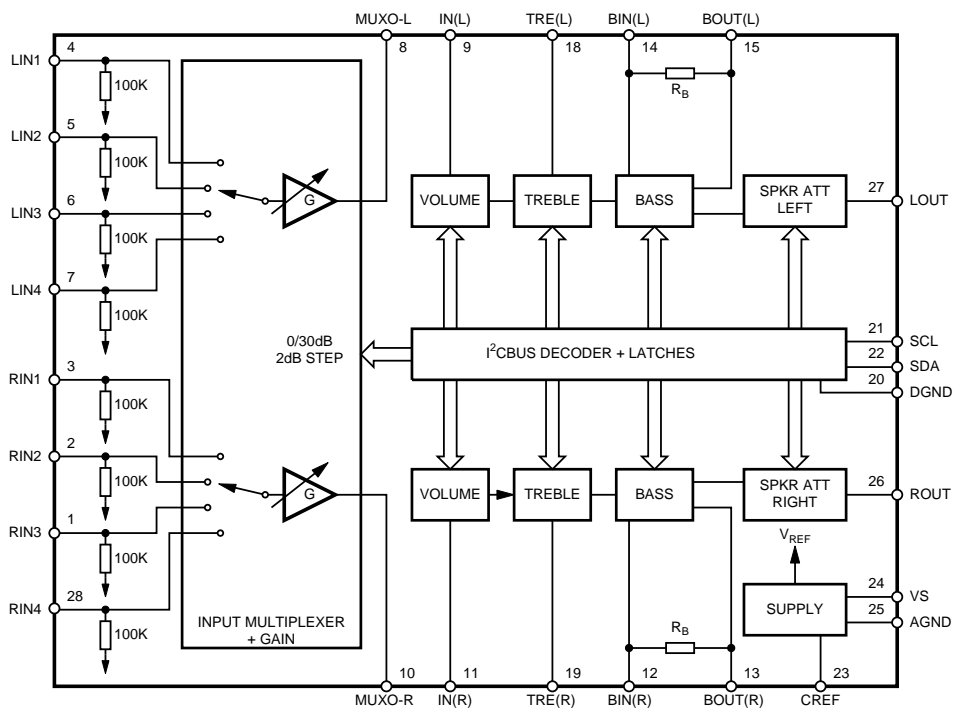


■ TDA7440D (IC101) : Audio processor

1. Terminal layout



2. Block diagram



MX-K30/MX-K10

JVC

VICTOR COMPANY OF JAPAN, LIMITED
AUDIO & COMMUNICATION BUSINESS DIVISION
PERSONAL & MOBILE NETWORK B.U. 10-1, 1Chome, Ohwatari-machi, maebashi-city, 371-8543, Japan

No.21084

 Printed in Japan
200210(A)

JVC

SCHEMATIC DIAGRAMS

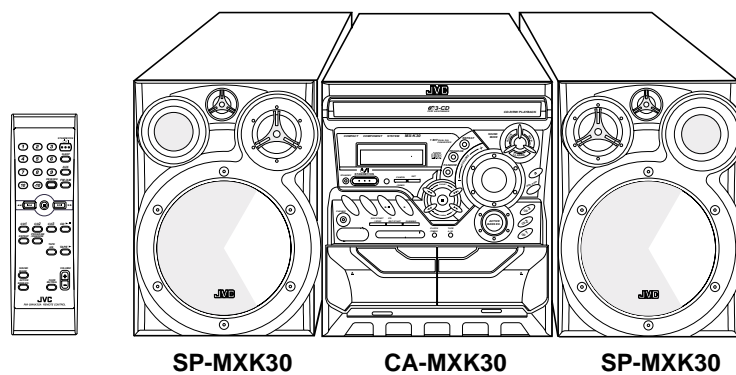
COMPACT COMPONENT SYSTEM

MX-K30/MX-K10

CD-ROM No.SML200210

Area Suffix

J U.S.A.
C Canada

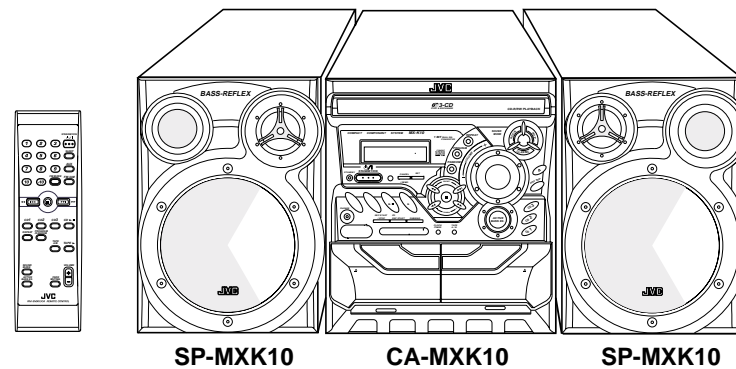


SP-MXK30

CA-MXK30

SP-MXK30

COMPACT
disc
DIGITAL AUDIO



SP-MXK10

CA-MXK10

SP-MXK10

Contents

Wiring Diagram.....	2-2
Standard schematic diagrams	2-4
Printed circuit boards	2-18~33

In regard with component parts appearing on the silk-screen printed side (parts side) of the PWB diagrams, the parts that are printed over with black such as the resistor (■), diode (▬) and ICP (●) or identified by the "△" mark nearby are critical for safety.

(This regulation does not correspond to J and C version.)

< M E M O >

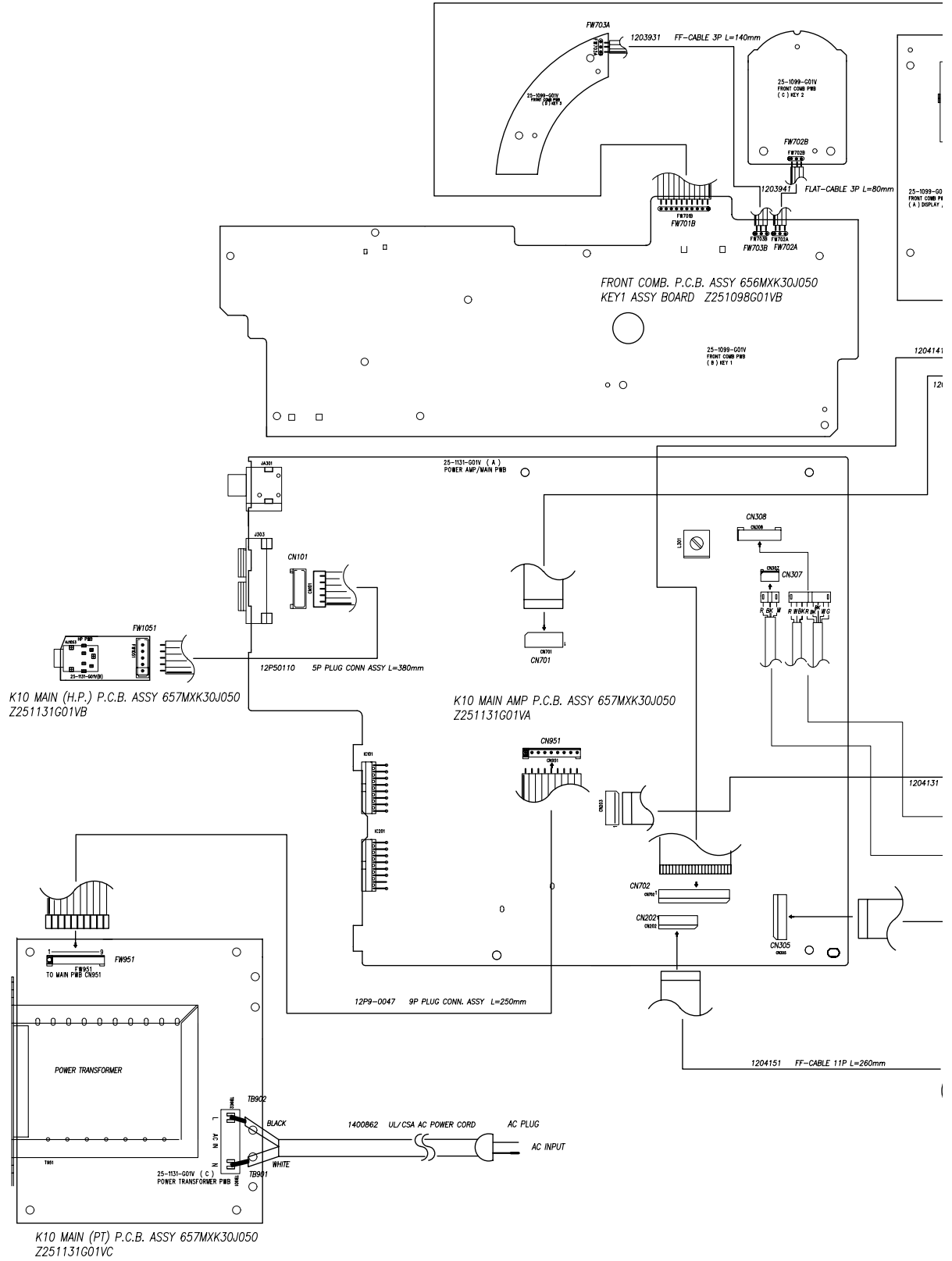
Wiring diagram (MX-K10)

5
4
3
2
1

FRONT COMB. P.C.B. ASSY 656MXK30J050
KEY3 ASSY BOARD Z251098G01VD

FRONT COMB. P.C.B. ASSY 656MXK30J050
KEY2 ASSY BOARD Z251098G01VC

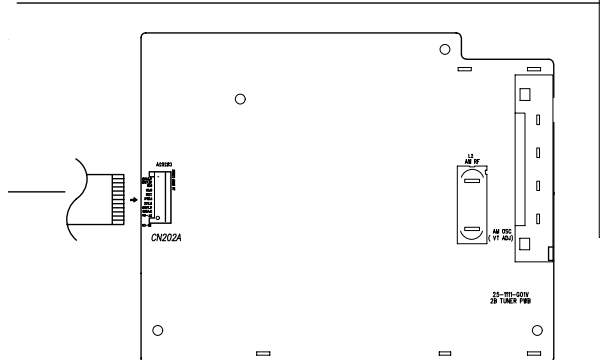
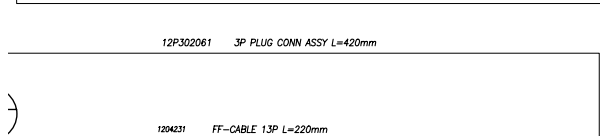
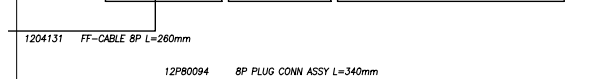
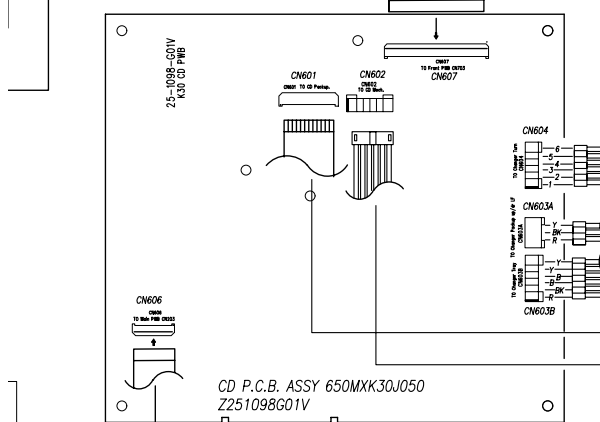
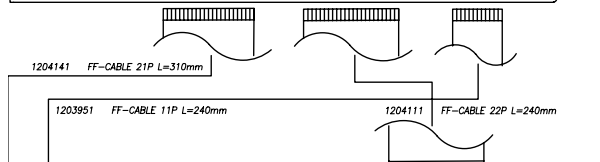
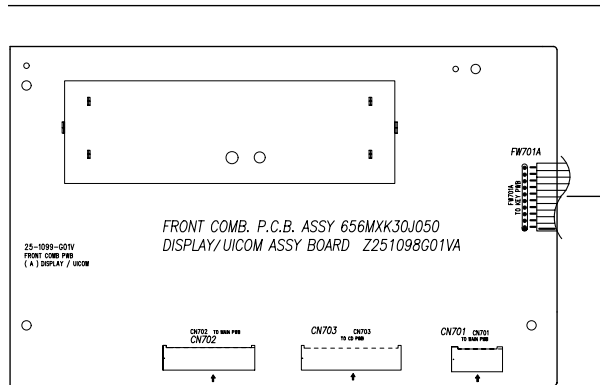
1204091 FLAT-CABLE



A | B | C | D

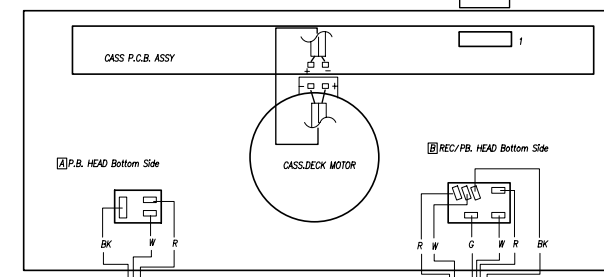
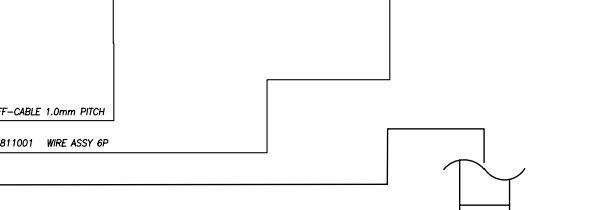
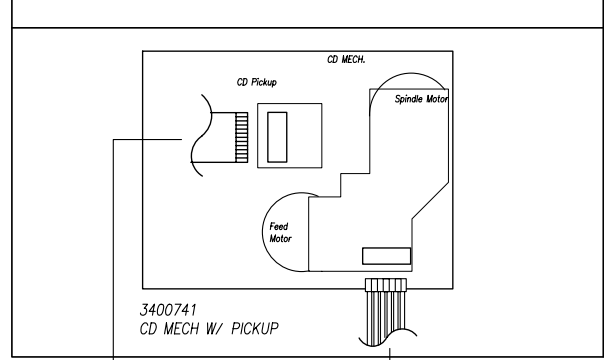
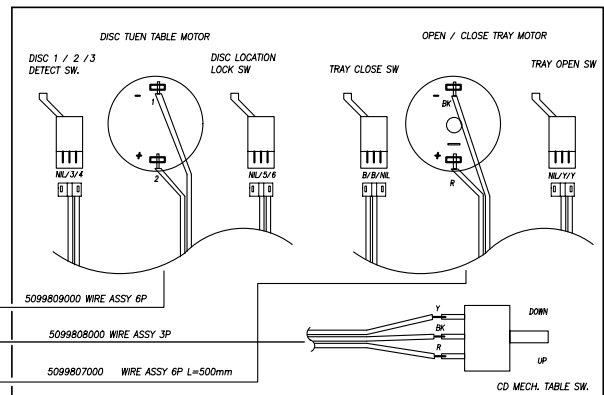
30J050

FLAT-CABLE 10P L=140mm



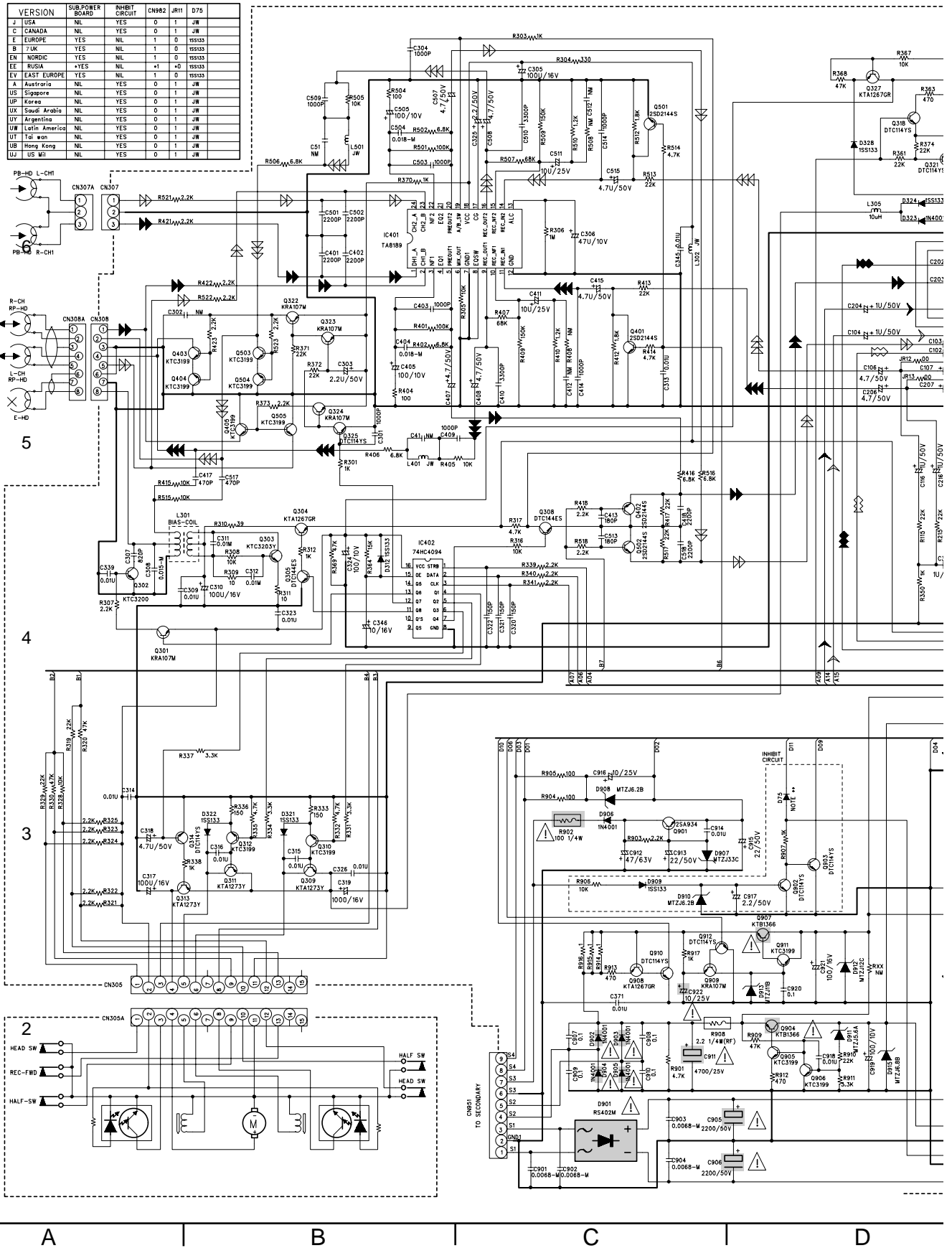
681MXK30--000

3CD LOADER W/CD MECH PICKUP

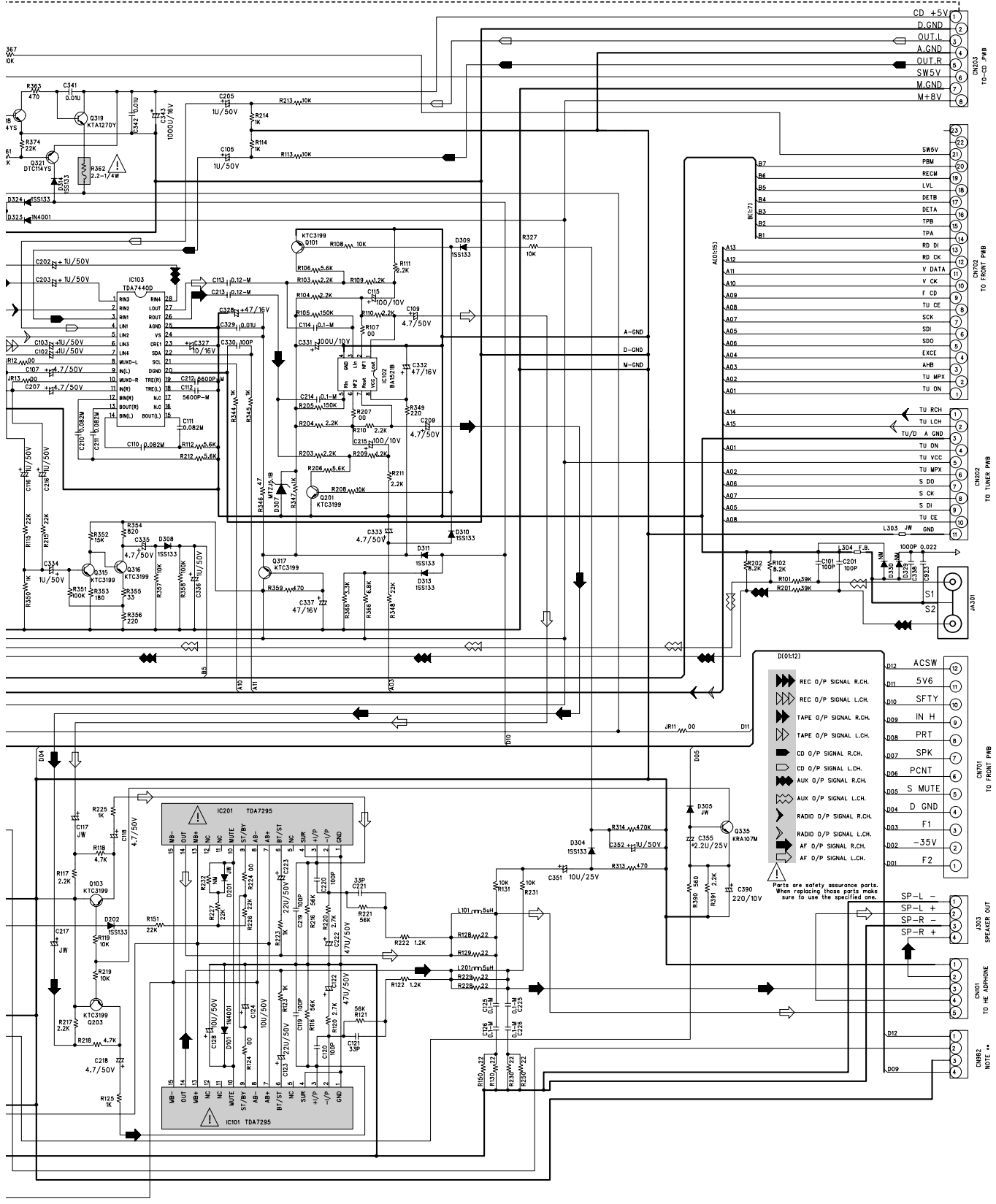


Standard schematic diagrams

Head AMP, audio, power AMP, and power supply section (MX-K10)



5
4
3
2
1
A B C D
1-4



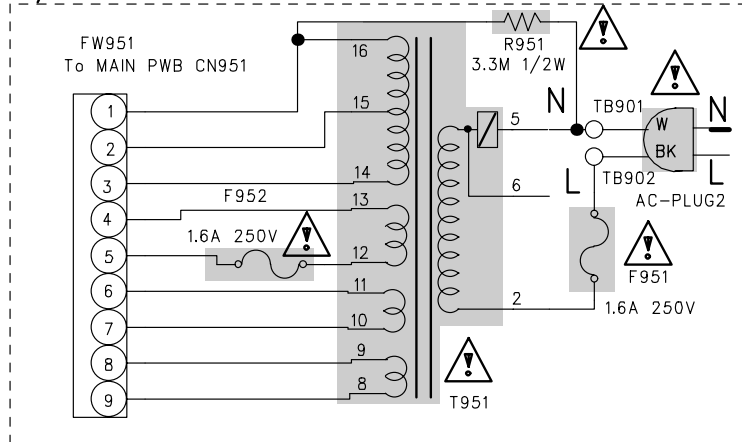
E

F

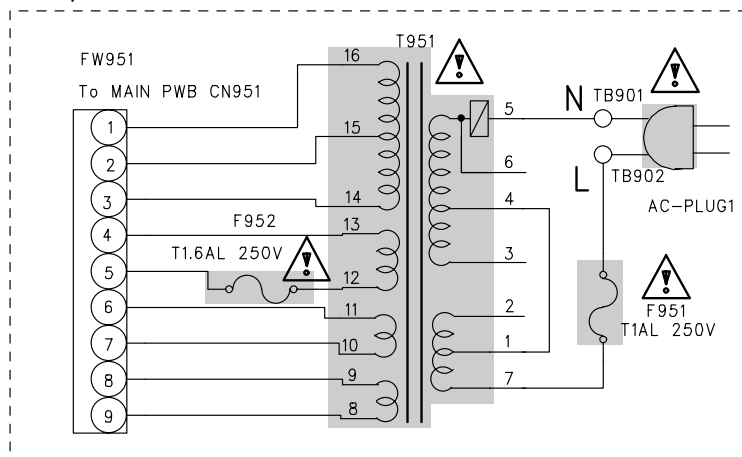
G

Power transformer section (MX-K10)

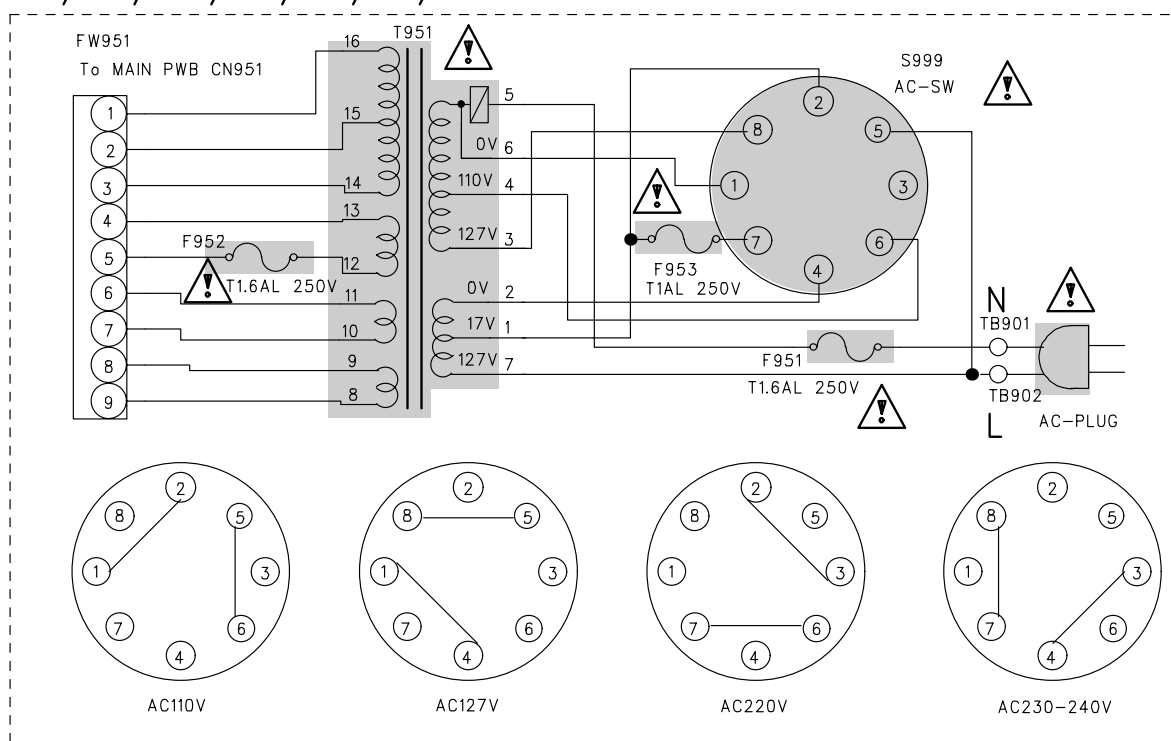
J/C Version



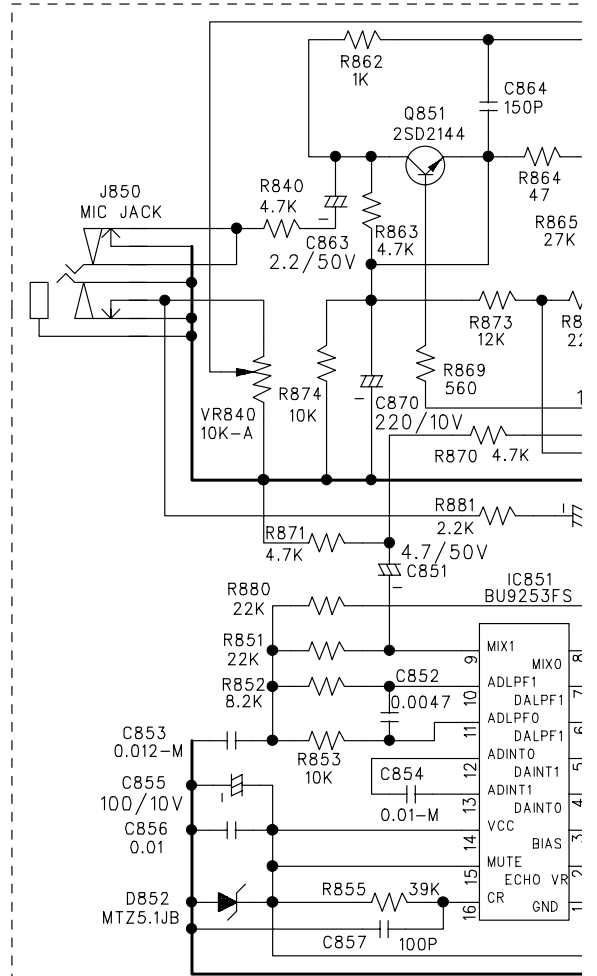
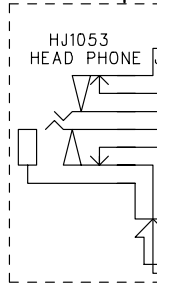
UP/UY Version

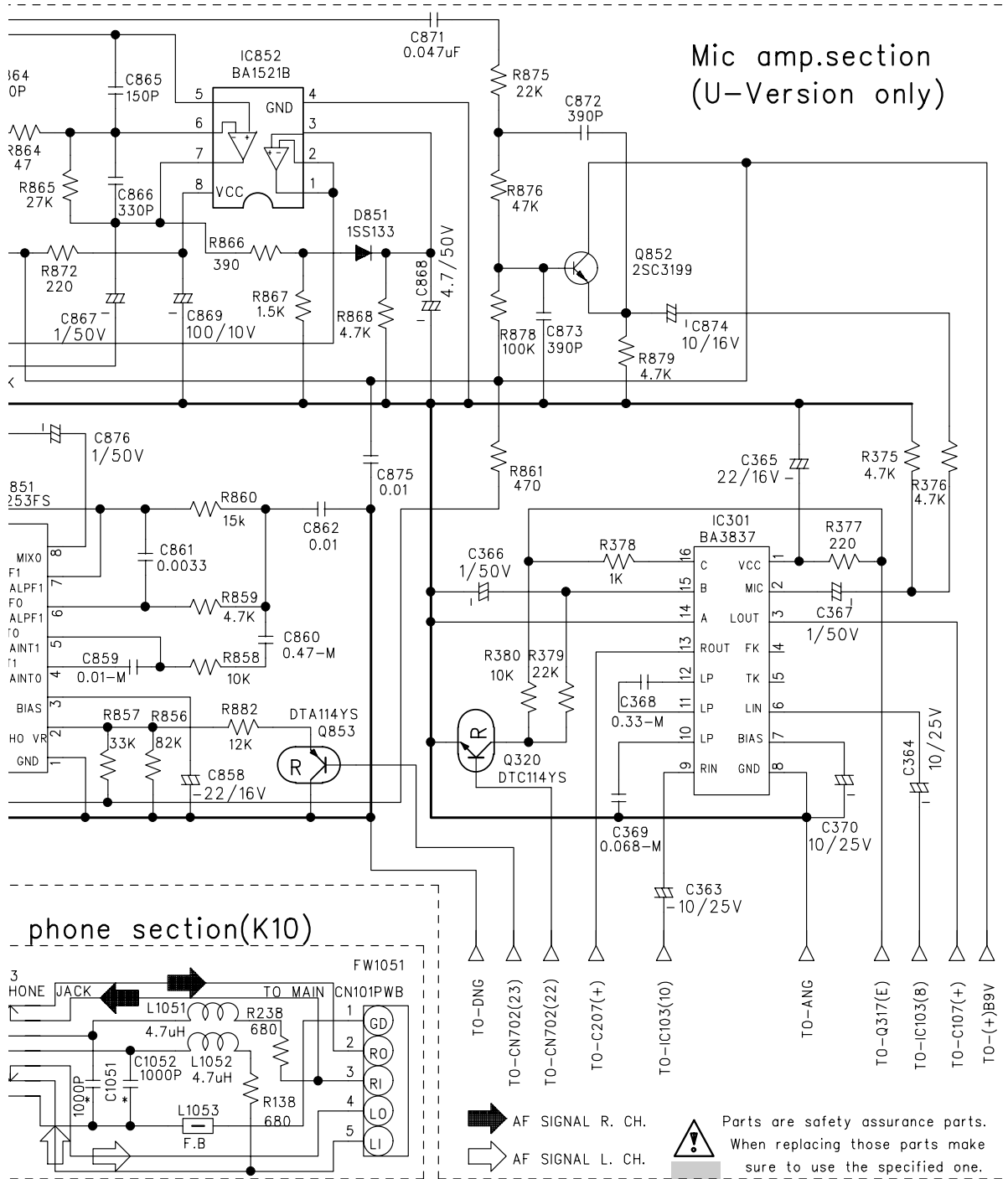


US/UX/UW/UT/UB/UJ/ Version



Head ph





Head AMP. audio, power AMP. and power supply (MX-K30)

VERSION	SUB-POWER BOARD	INHBIT CIRCUIT	CN9B2	JR11	D75
J USA	NL	YES	0	1	JW
C CANADA	NL	YES	1	1	JW
E EUROPE	YES	NL	1	0	IS5133
B UK	YES	NL	1	0	IS5133
EN NORDIC	YES	NL	1	0	IS5133
EE RUSSIA	+YES	+NL	+1	+0	IS5133
EV EAST EUROPE	YES	NL	1	0	IS5133
A Australia	NL	YES	0	1	JW
US Singapore	NL	YES	0	1	JW
UP Korea	NL	YES	0	1	JW
UK Saudi Arabia	NL	YES	0	1	JW
UY Argentina	NL	YES	0	1	JW
UW Latin America	NL	YES	0	1	JW
UT Tai wan	NL	YES	0	1	JW
UB Hong Kong	NL	YES	0	1	JW
UJ US MH	NL	YES	0	1	JW

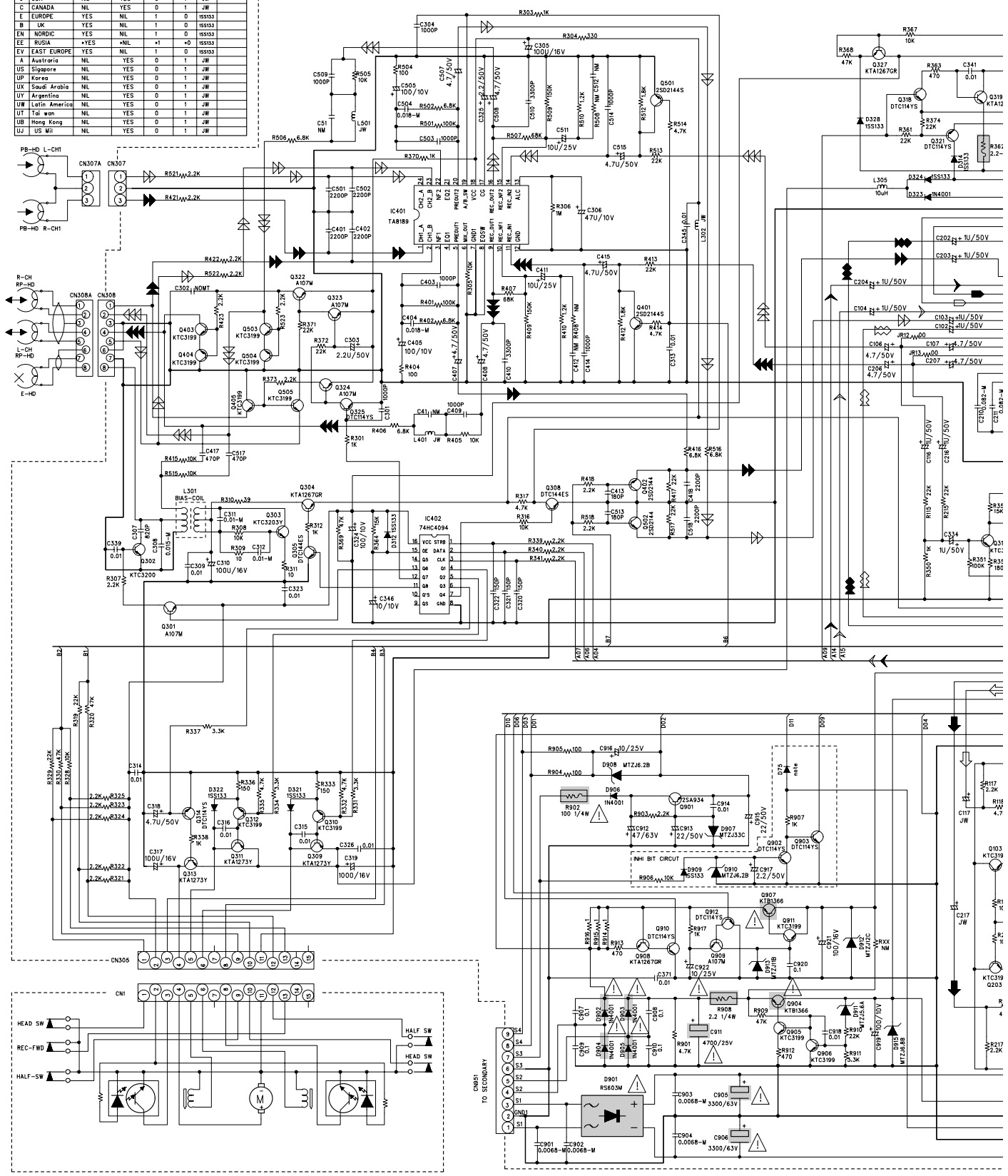
5

4

3

2

1

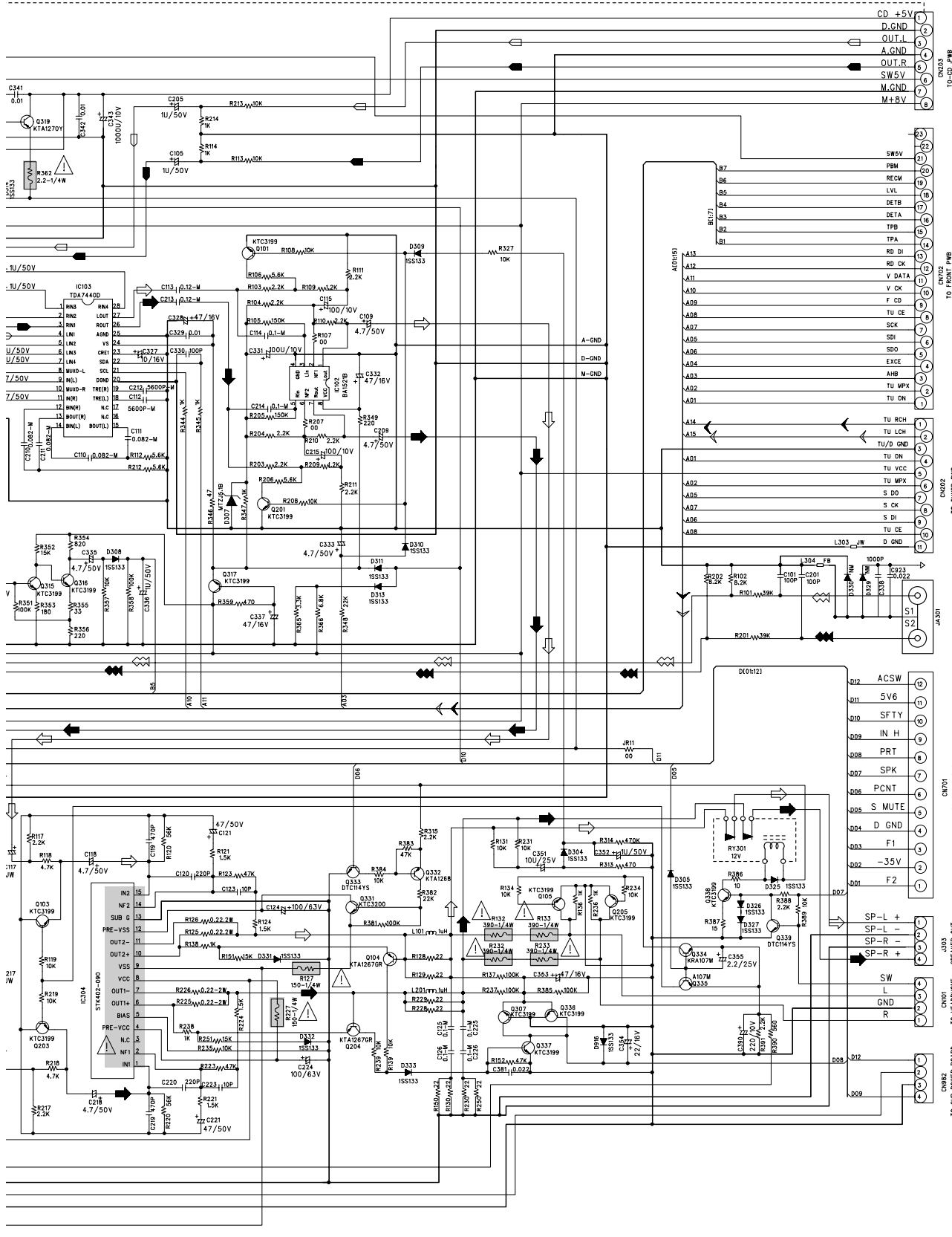


Parts are safety assurance parts
When replacing these parts make
sure to use the specified one.

REC O/P SIGNAL L. CH.
REC O/P SIGNAL R. CH.

TAPE O/P SIGNAL L.
TAPE O/P SIGNAL R.

A | B | C | D

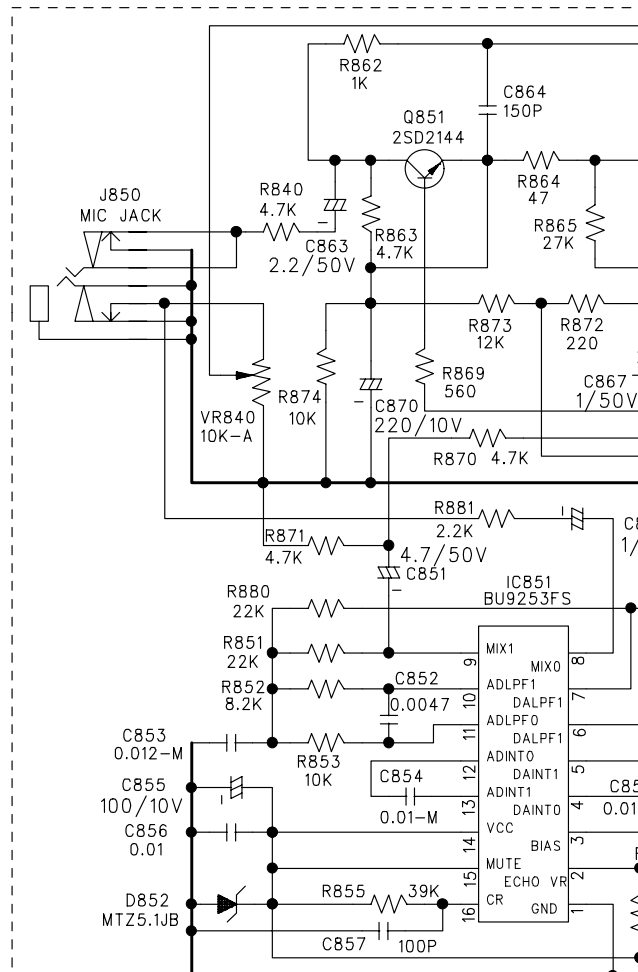
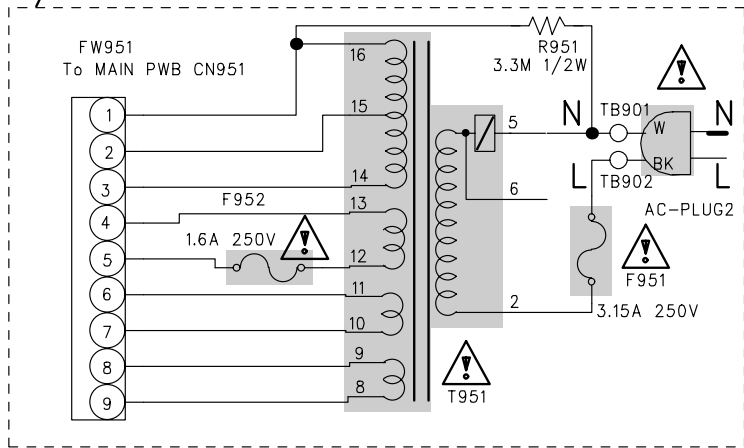


I/P SIGNAL L. CH. AF. O/P SIGNAL L. CH. AUX. O/P SIGNAL L. CH. RADIO. O/P SIGNAL L. CH. CD. O/P SIGNAL L. CH.
 I/P SIGNAL R. CH. AF. O/P SIGNAL R. CH. AUX. O/P SIGNAL R. CH. RADIO. O/P SIGNAL R. CH. CD. O/P SIGNAL R. CH.

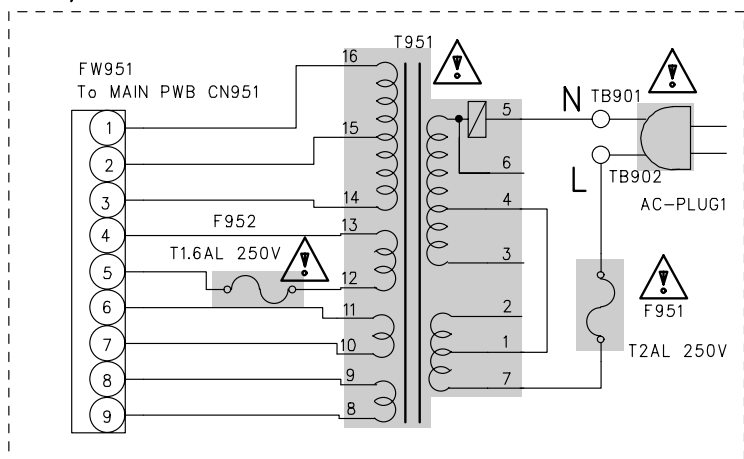
E | F | G

Power transformer section (MX-K30)

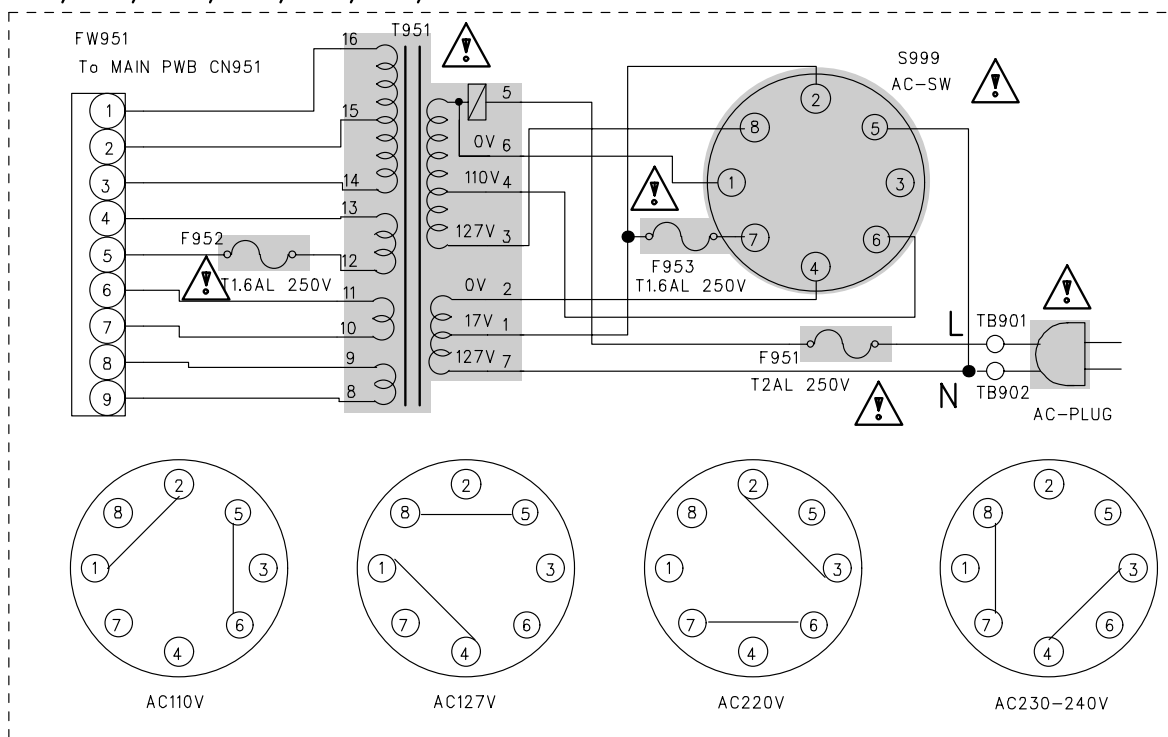
J/C Version



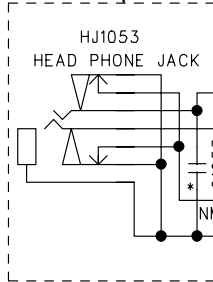
UP/UY Version



US/UX/UW/UT/UB/UJ/ Version



Head phone



5

4

3

2

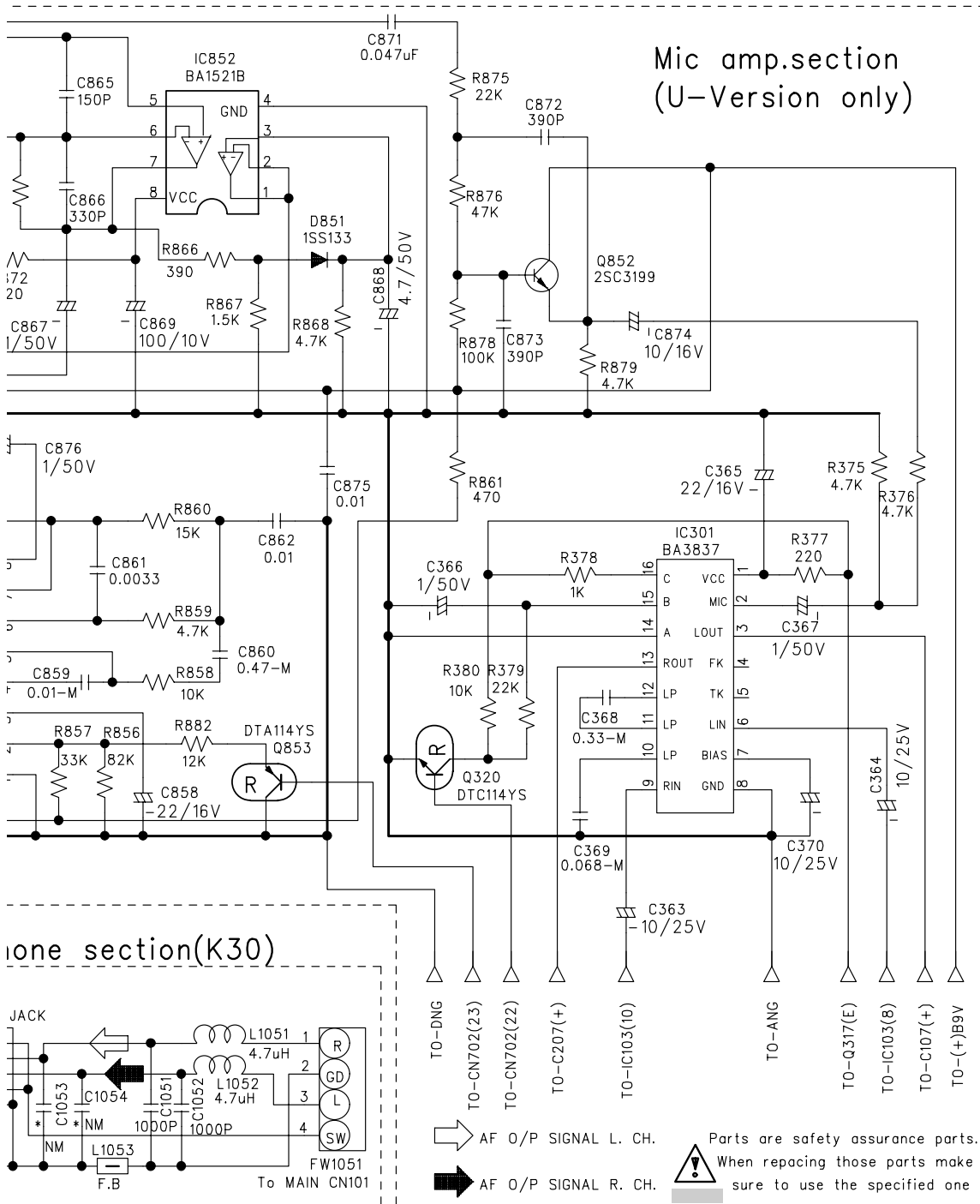
1

A

B

C

D



Mic amp section
(U-Version only)

Tone section(K30)

AF O/P SIGNAL L. CH.

AF O/P SIGNAL R. CH.

Parts are safety assurance parts. When replacing those parts make sure to use the specified one.

CD servo control section (MX-K10 and MXK-K30)

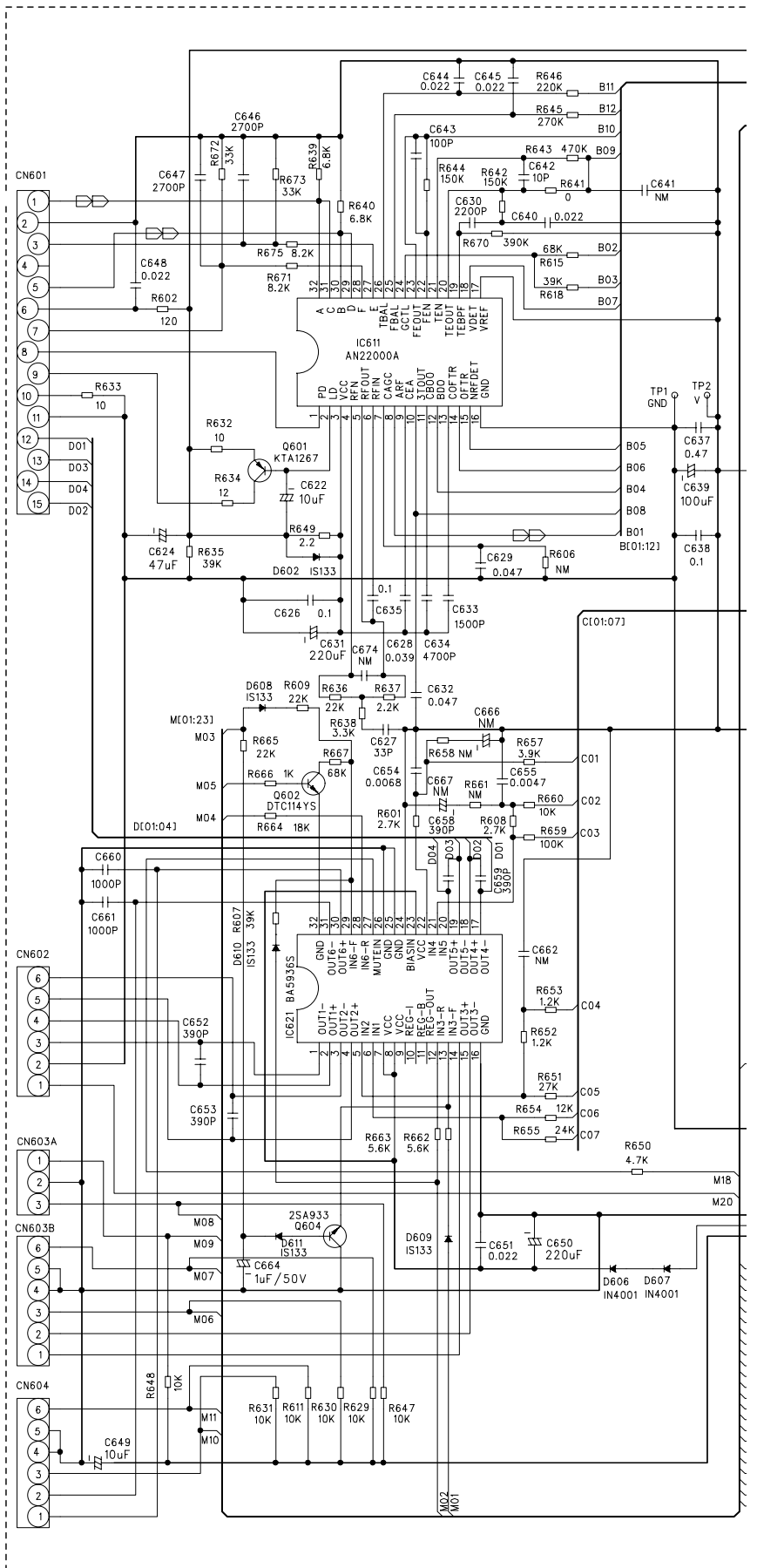
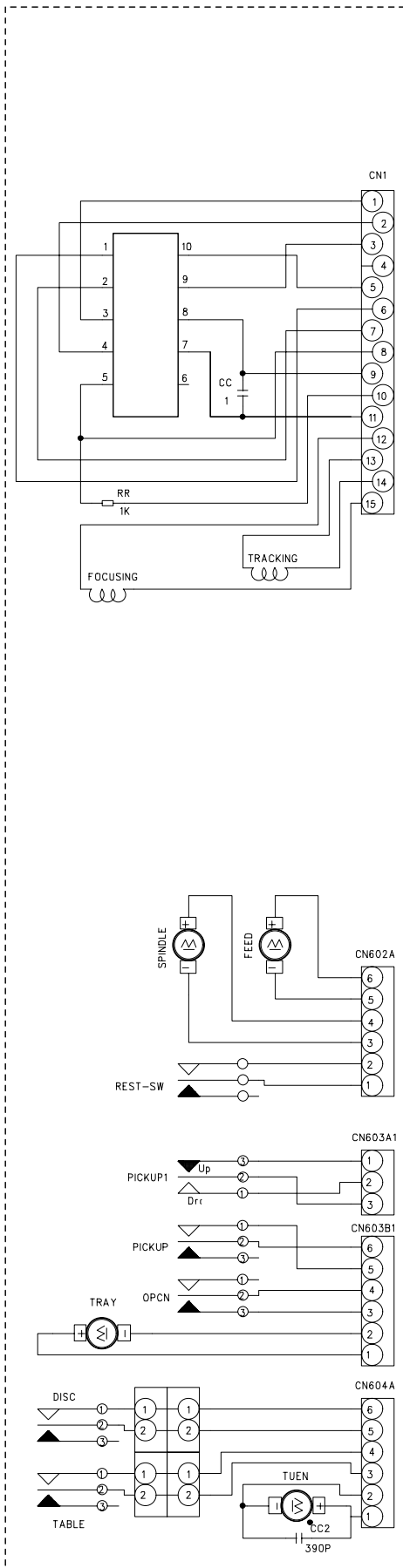
5

4

3

2

1

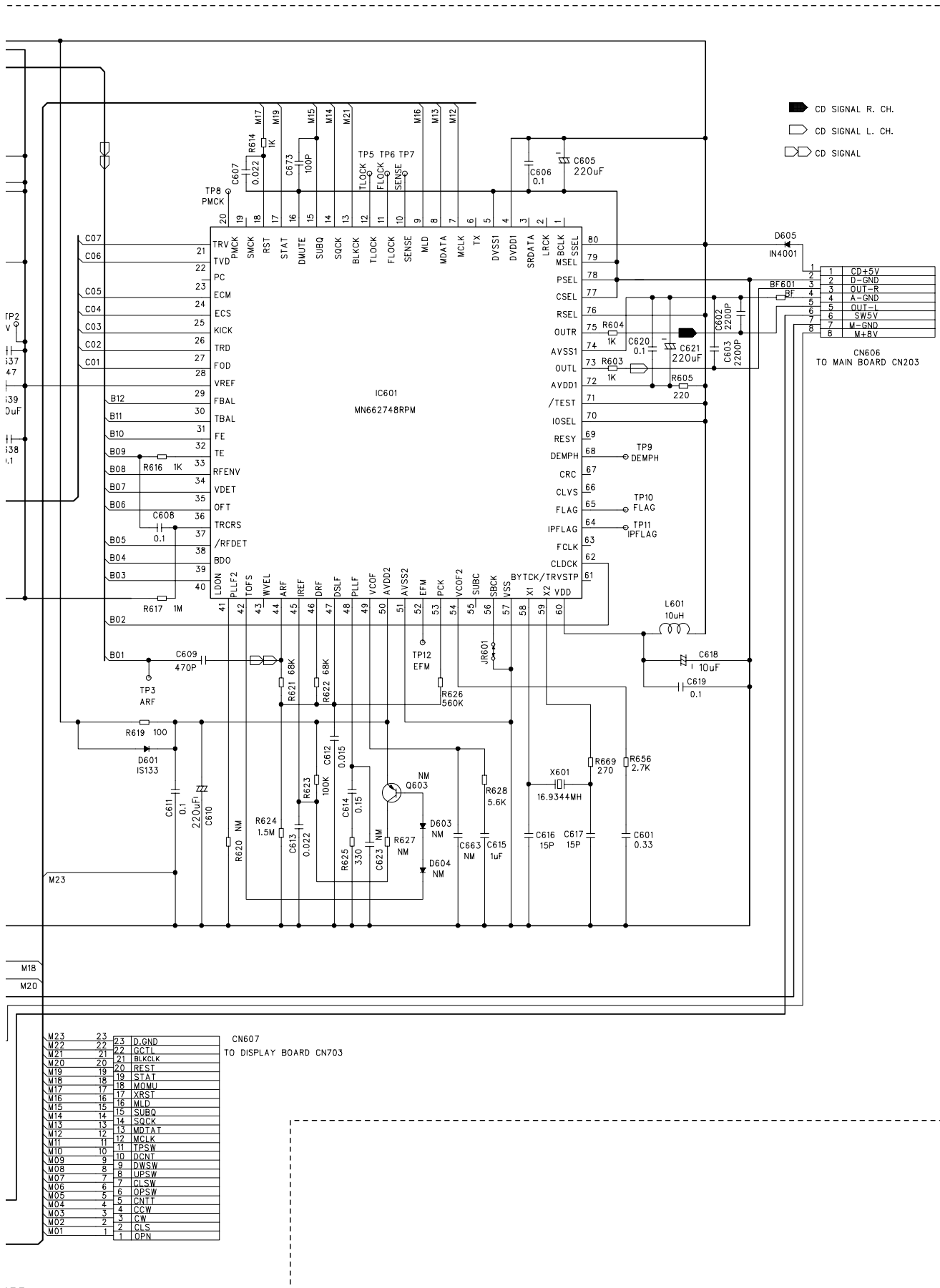


A

B

C

D



CD SIGNAL R. CH.
 CD SIGNAL L. CH.
 CD SIGNAL

M23	23	D_GND
M22	22	GCTL
M21	21	BLKCLK
M20	20	REST
M19	19	STAT
M18	18	MOMU
M17	17	XRST
M16	16	MLD
M15	15	SUBQ
M14	14	SOCK
M13	13	MDTAT
M12	12	MCLK
M11	11	TPSW
M10	10	DCNT
M09	9	DWSW
M08	8	UJPSW
M07	7	CLS
M06	6	CLS
M05	5	CLS
M04	4	CLS
M03	3	CLS
M02	2	CLS
M01	1	OPN

CN607
TO DISPLAY BOARD CN703

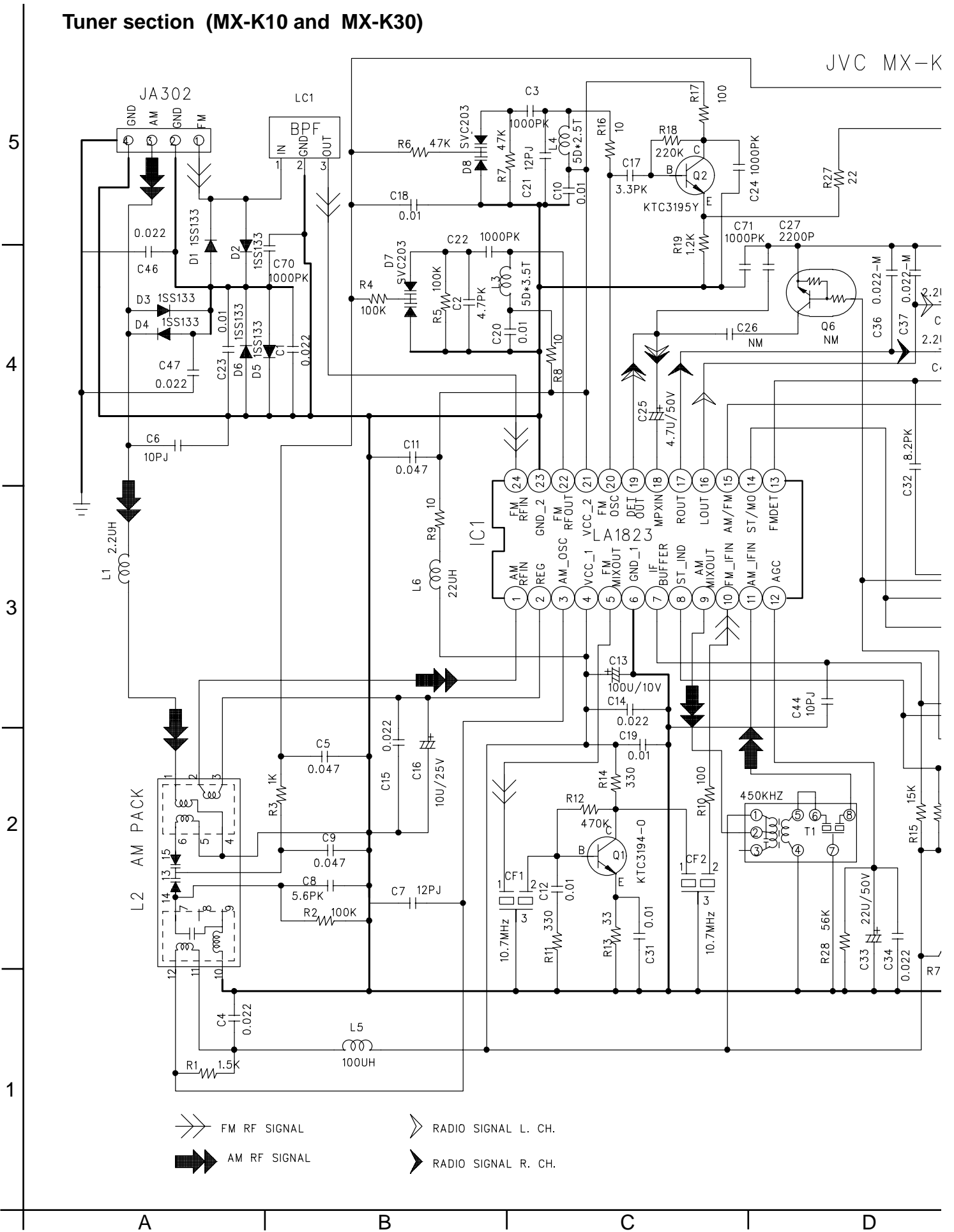
E

F

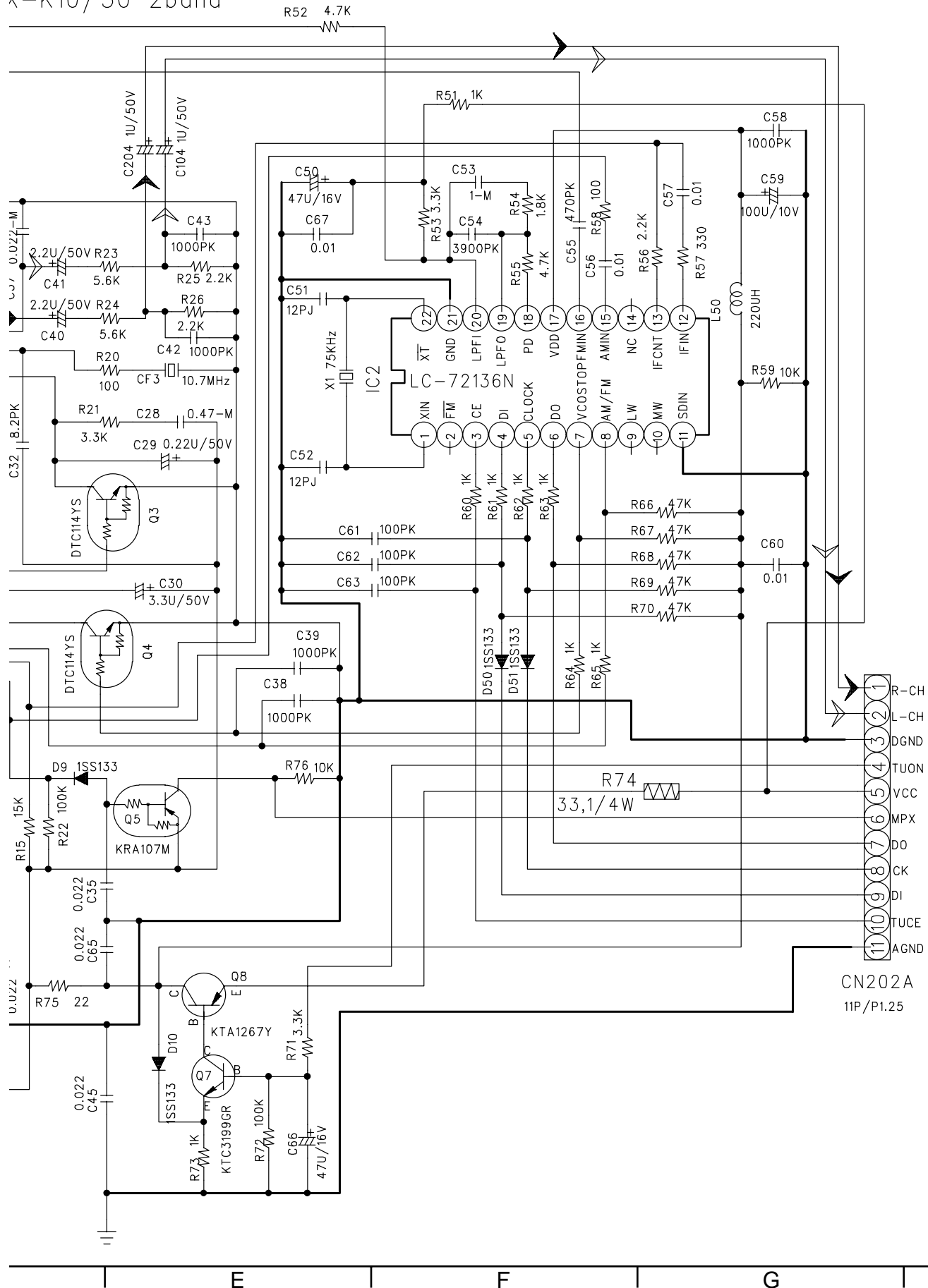
G

Tuner section (MX-K10 and MX-K30)

JVC MX-K



x-K10/30 2band



FL display and CPU control section (MX-K10 and MX-K30)

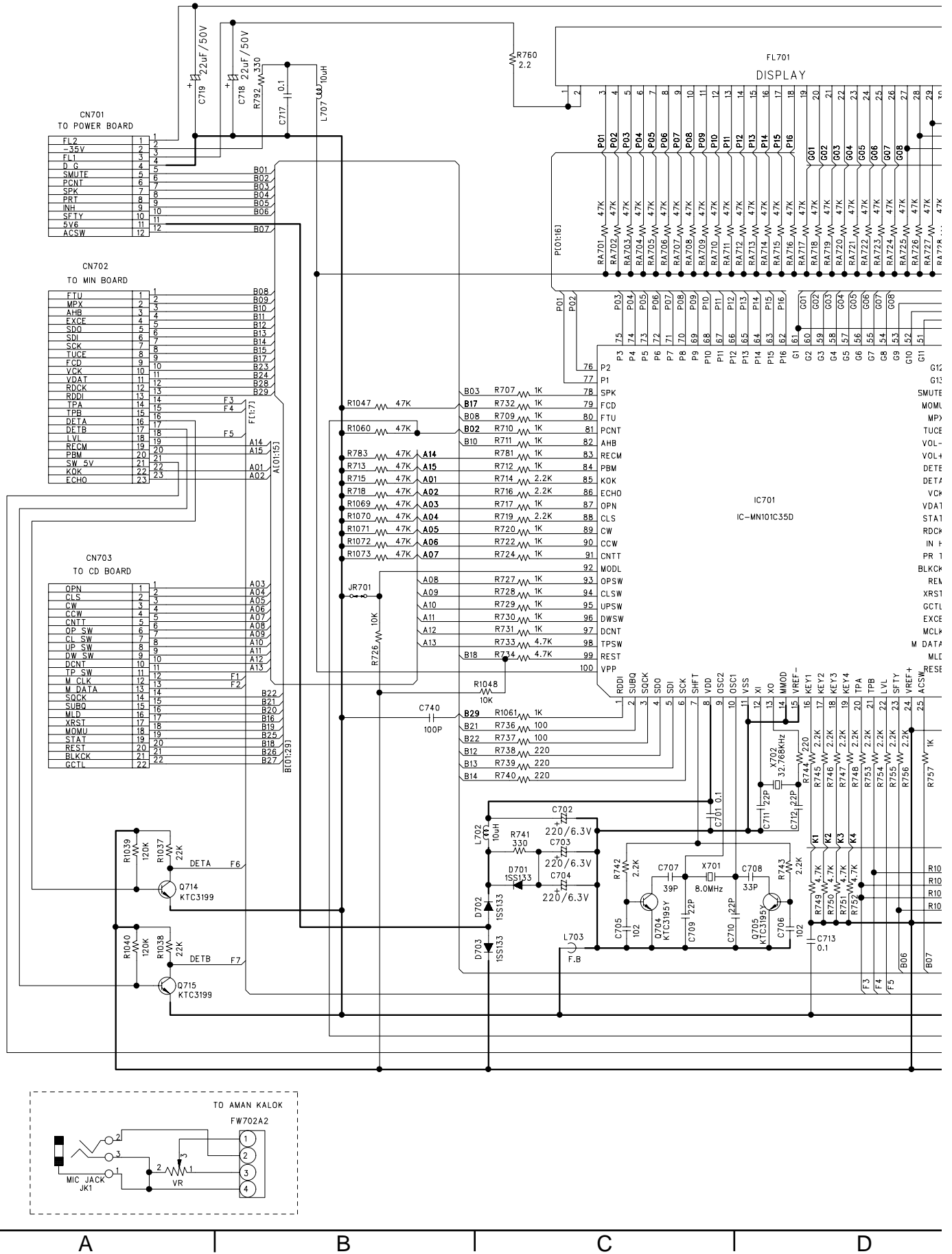
5

4

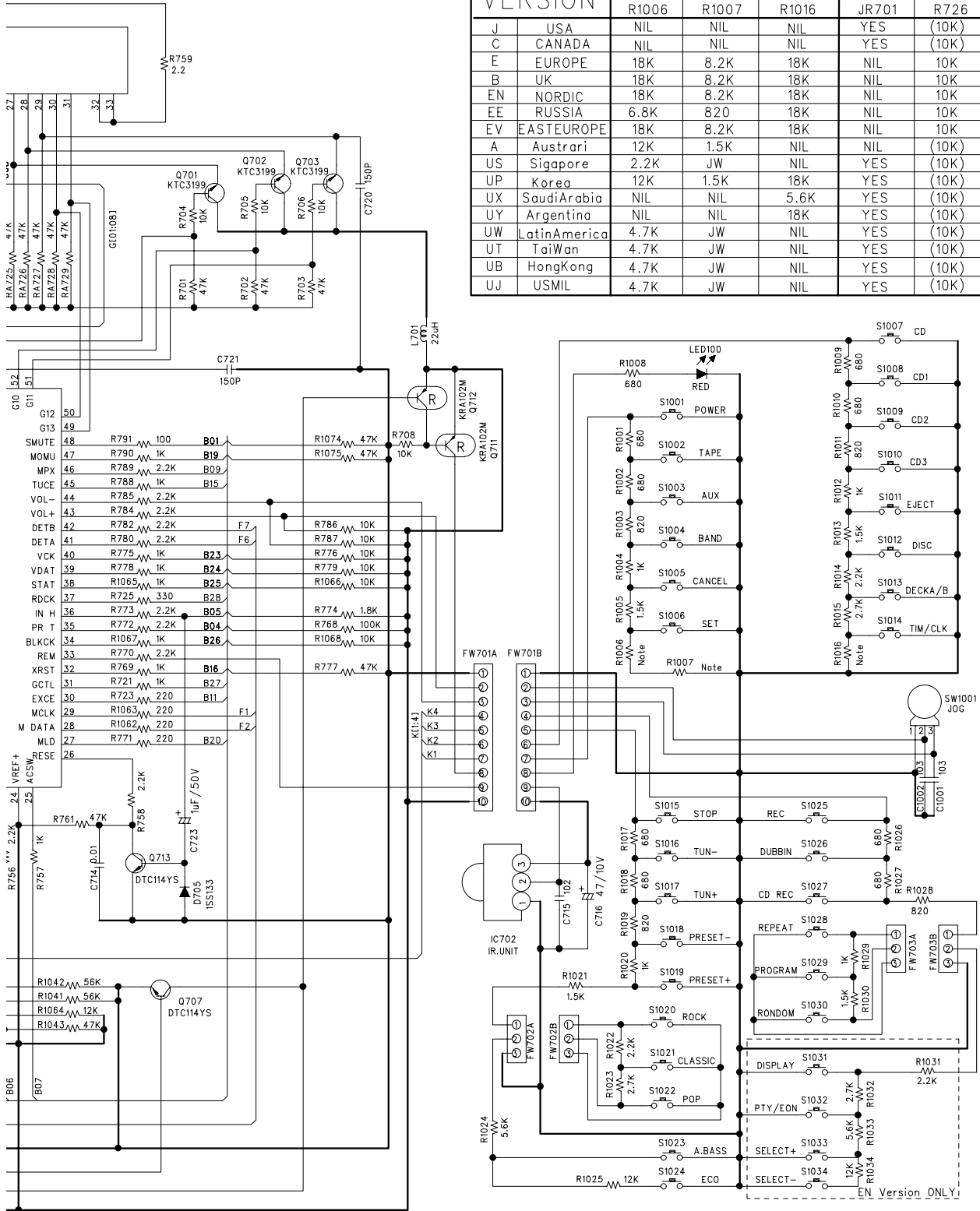
3

2

1



VERSION	SETTING			ECO MODE	
	R1006	R1007	R1016	JR701	R726
J USA	NIL	NIL	NIL	YES	(10K)
C CANADA	NIL	NIL	NIL	YES	(10K)
E EUROPE	18K	8.2K	18K	NIL	10K
B UK	18K	8.2K	18K	NIL	10K
EN NORDIC	18K	8.2K	18K	NIL	10K
EE RUSSIA	6.8K	820	18K	NIL	10K
EV EASTEUROPE	18K	8.2K	18K	NIL	10K
A Austrari	12K	1.5K	NIL	NIL	(10K)
US Singapore	2.2K	JW	NIL	YES	(10K)
UP Korea	12K	1.5K	18K	YES	(10K)
UX SaudiArabia	NIL	NIL	5.6K	YES	(10K)
UY Argentina	NIL	NIL	18K	YES	(10K)
UW LatinAmerica	4.7K	JW	NIL	YES	(10K)
UT TaiWan	4.7K	JW	NIL	YES	(10K)
UB HongKong	4.7K	JW	NIL	YES	(10K)
UJ USMIL	4.7K	JW	NIL	YES	(10K)



Printed circuit boards

■ Main / power -Amp.circuit board (Top side) MX-K10

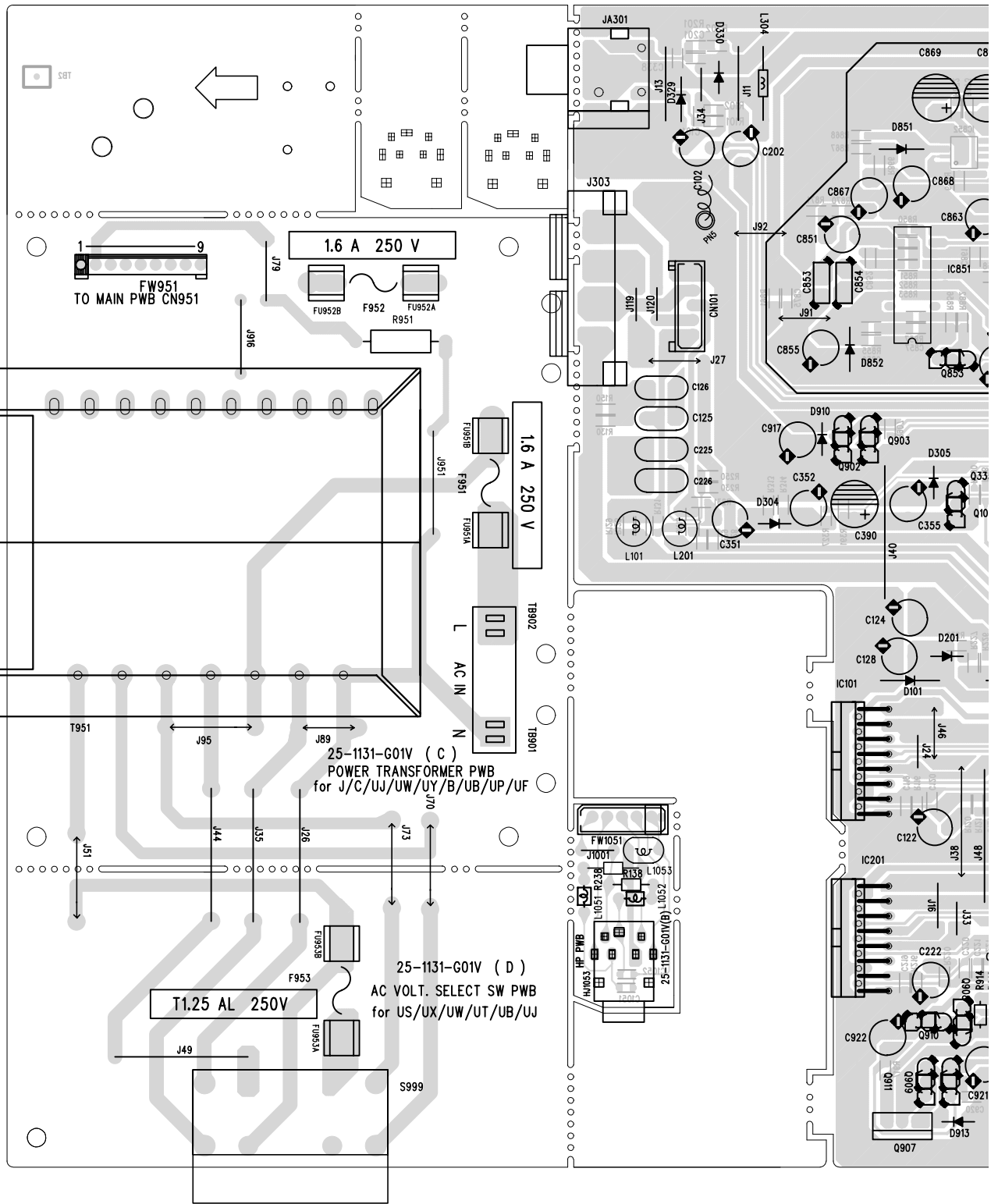
5

4

3

2

1

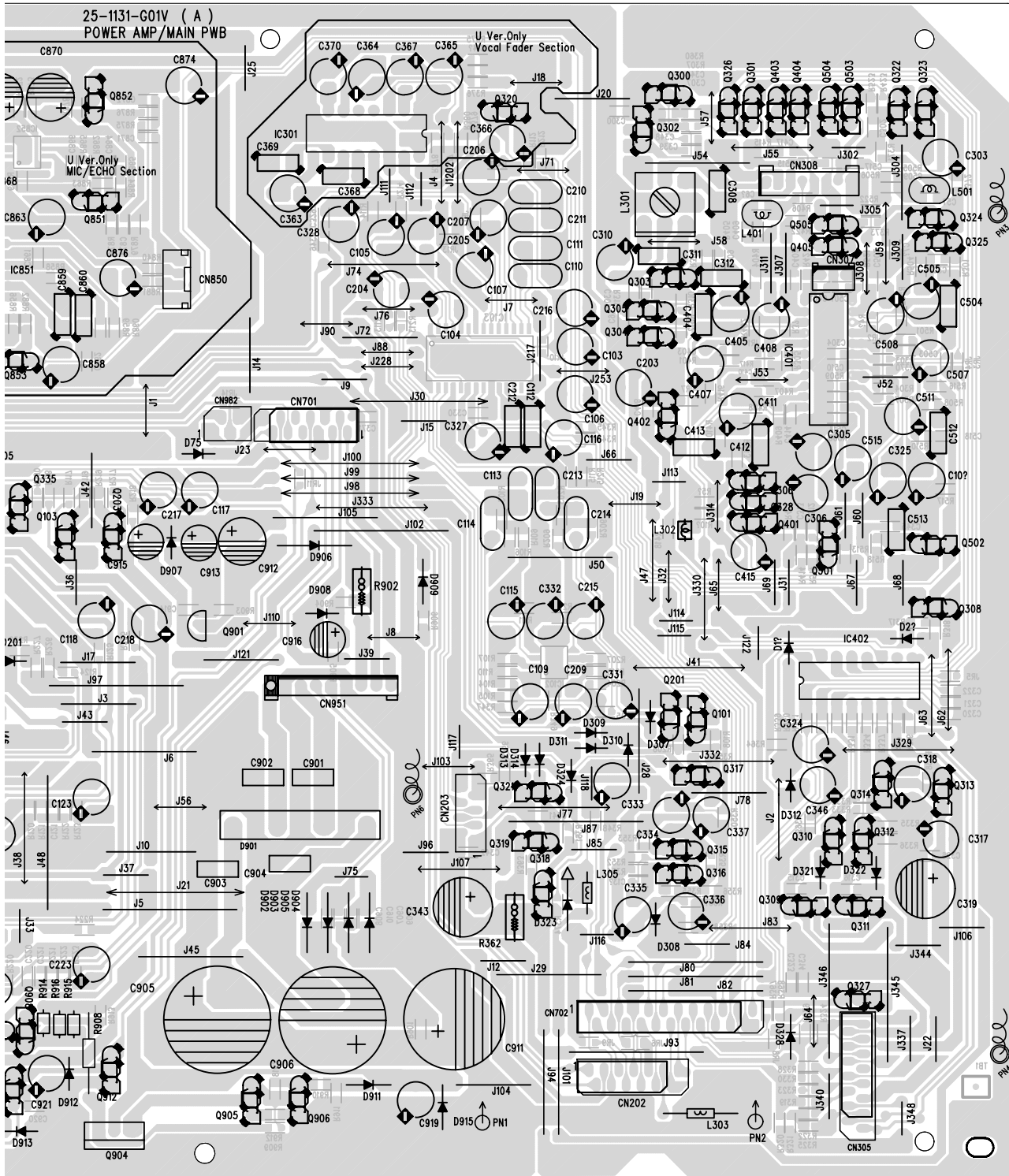


A

B

C

D



E

F

G

■ Main / pwoer-Amp.circuit board (Bottom side) MX-K10

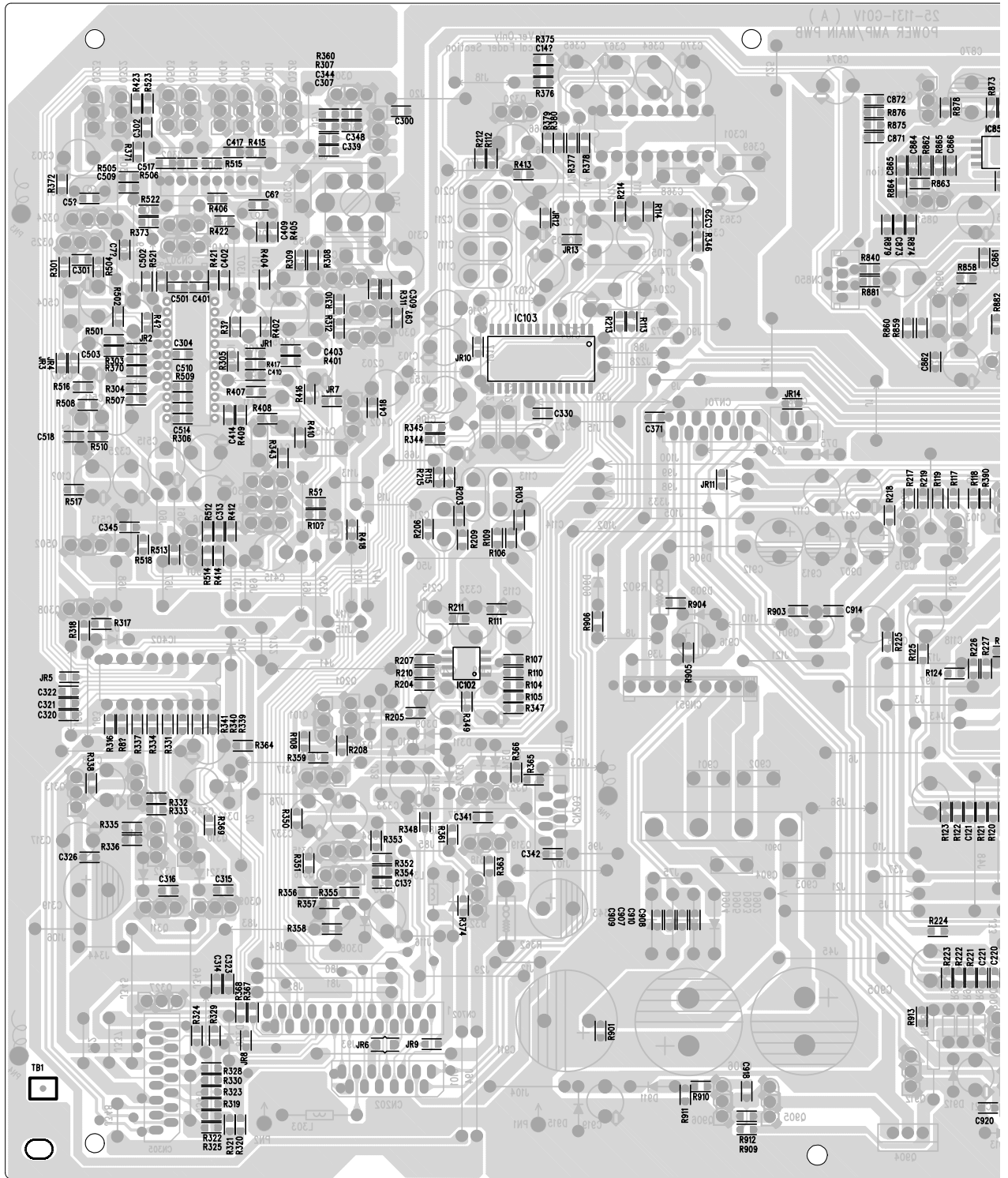
5

4

3

2

1

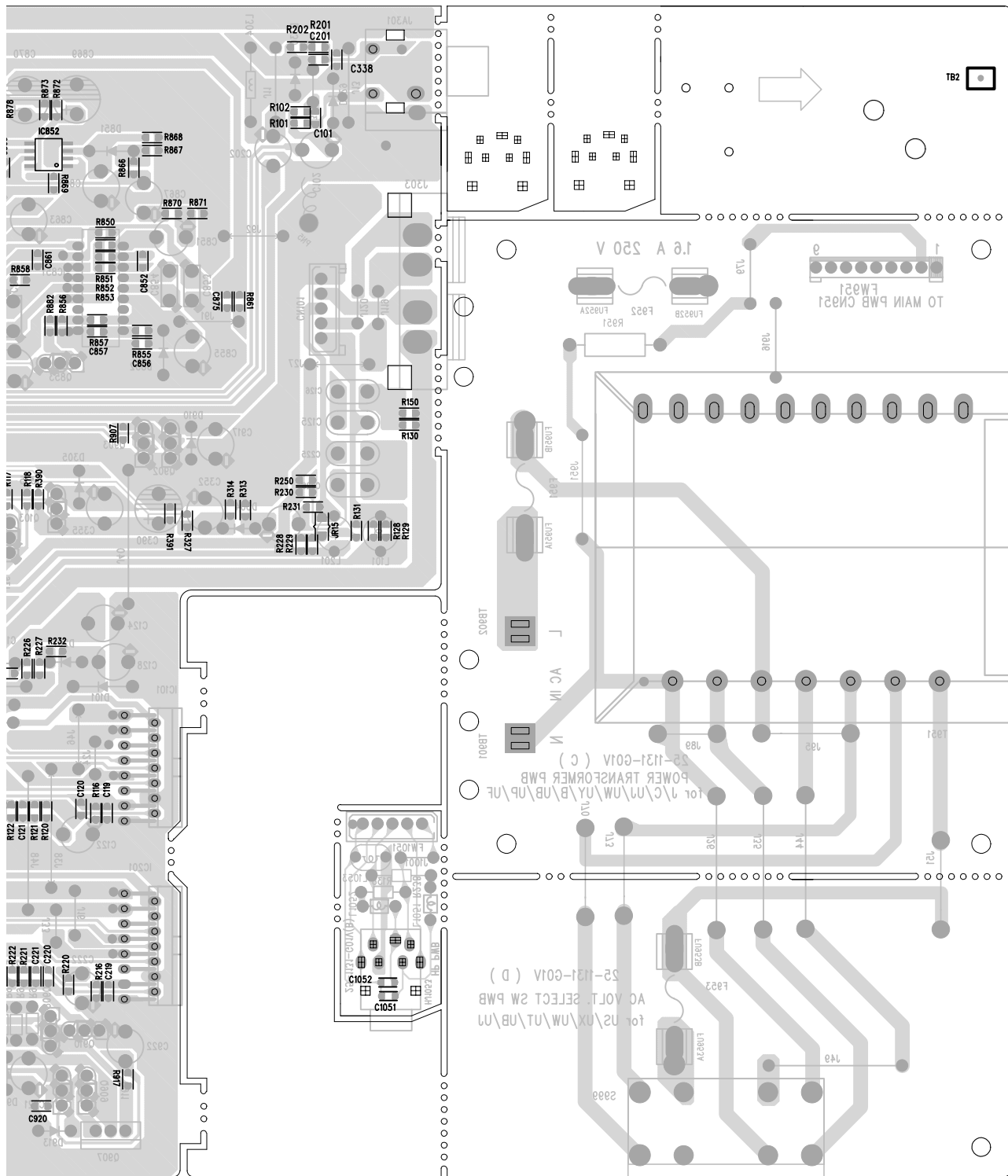


A

B

C

D

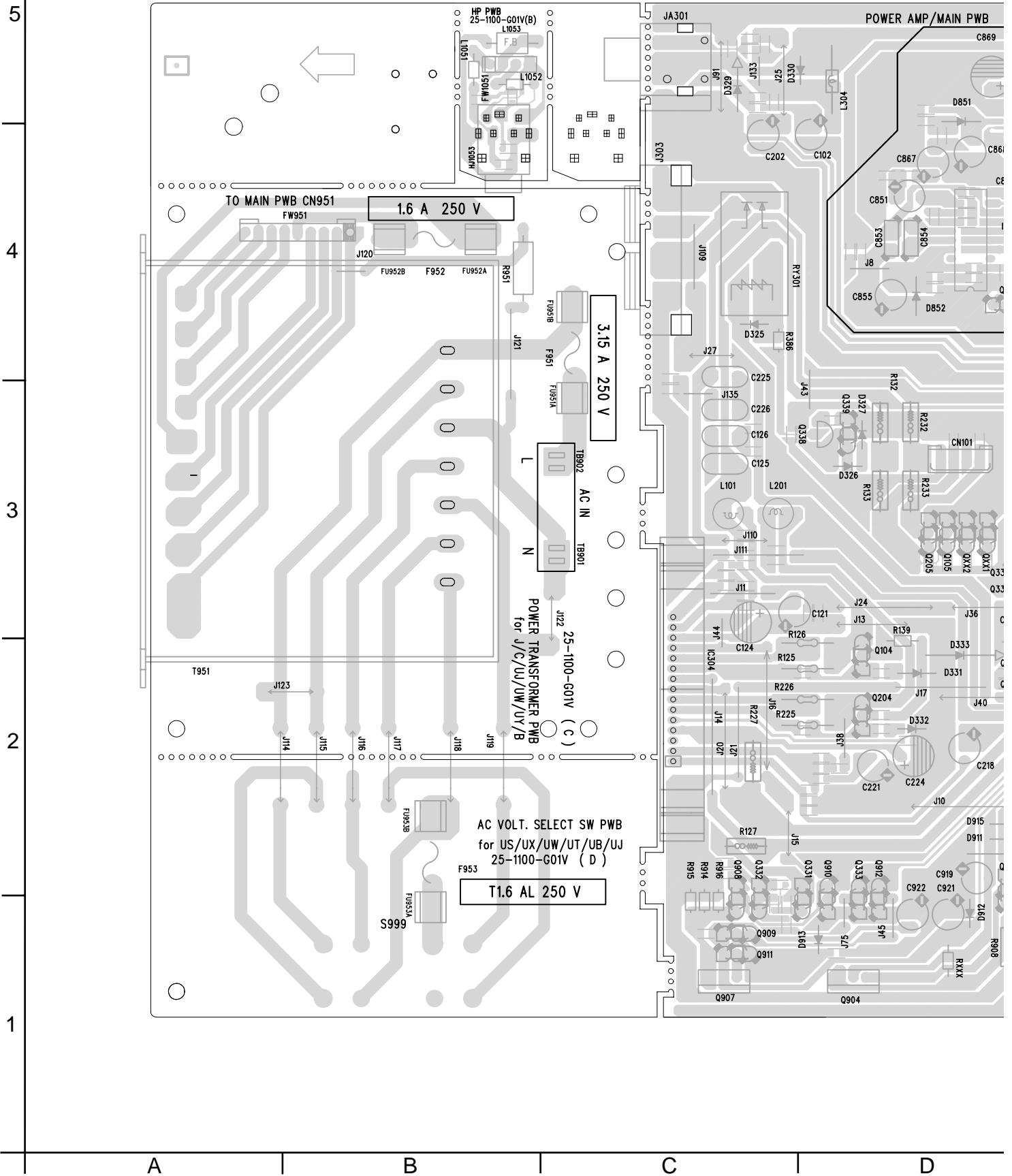


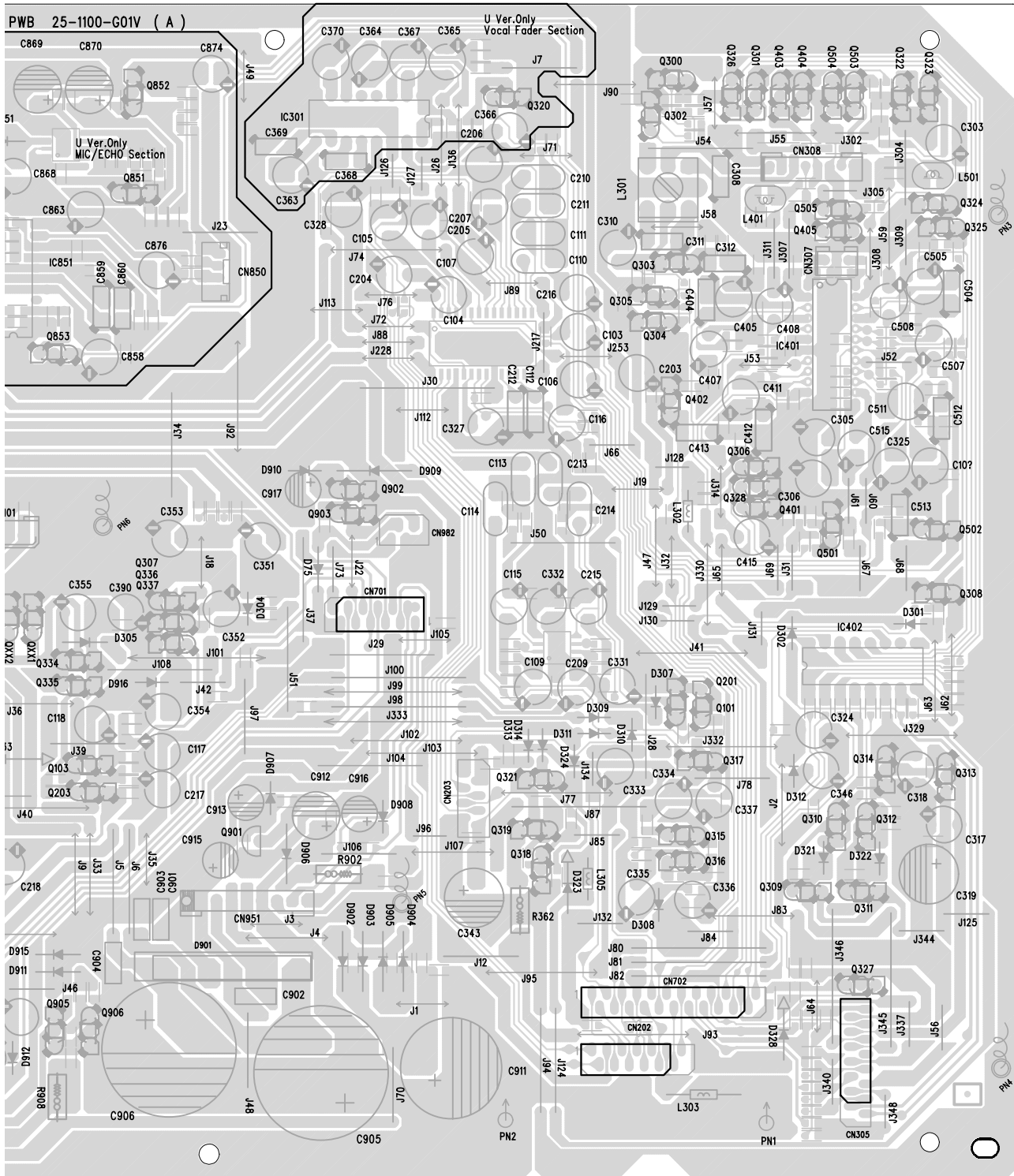
E

F

G

■ Main / power - Amp. circuit board (Top side) MX-K30





PWB 25-1100-G01V (A)

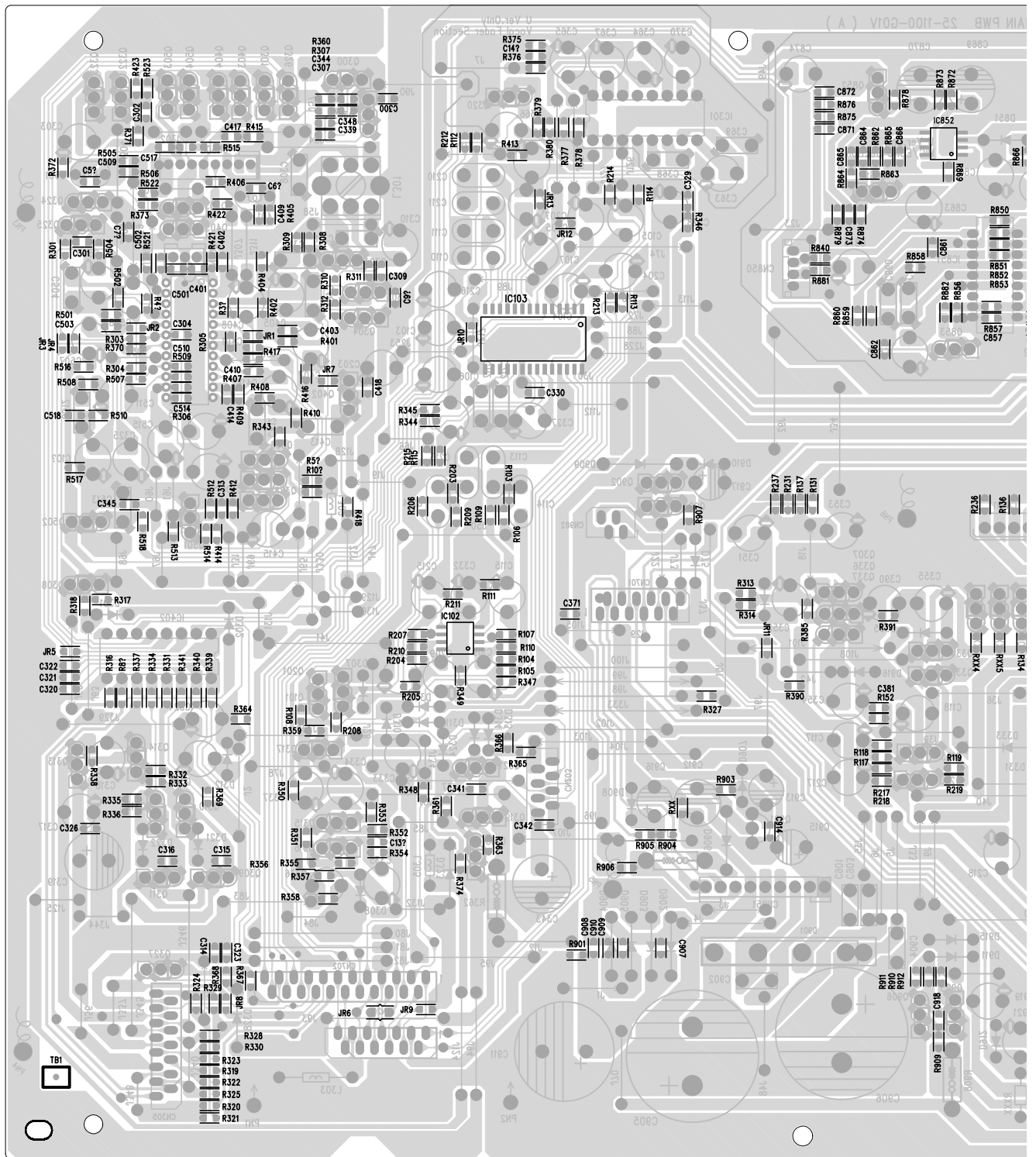
E

F

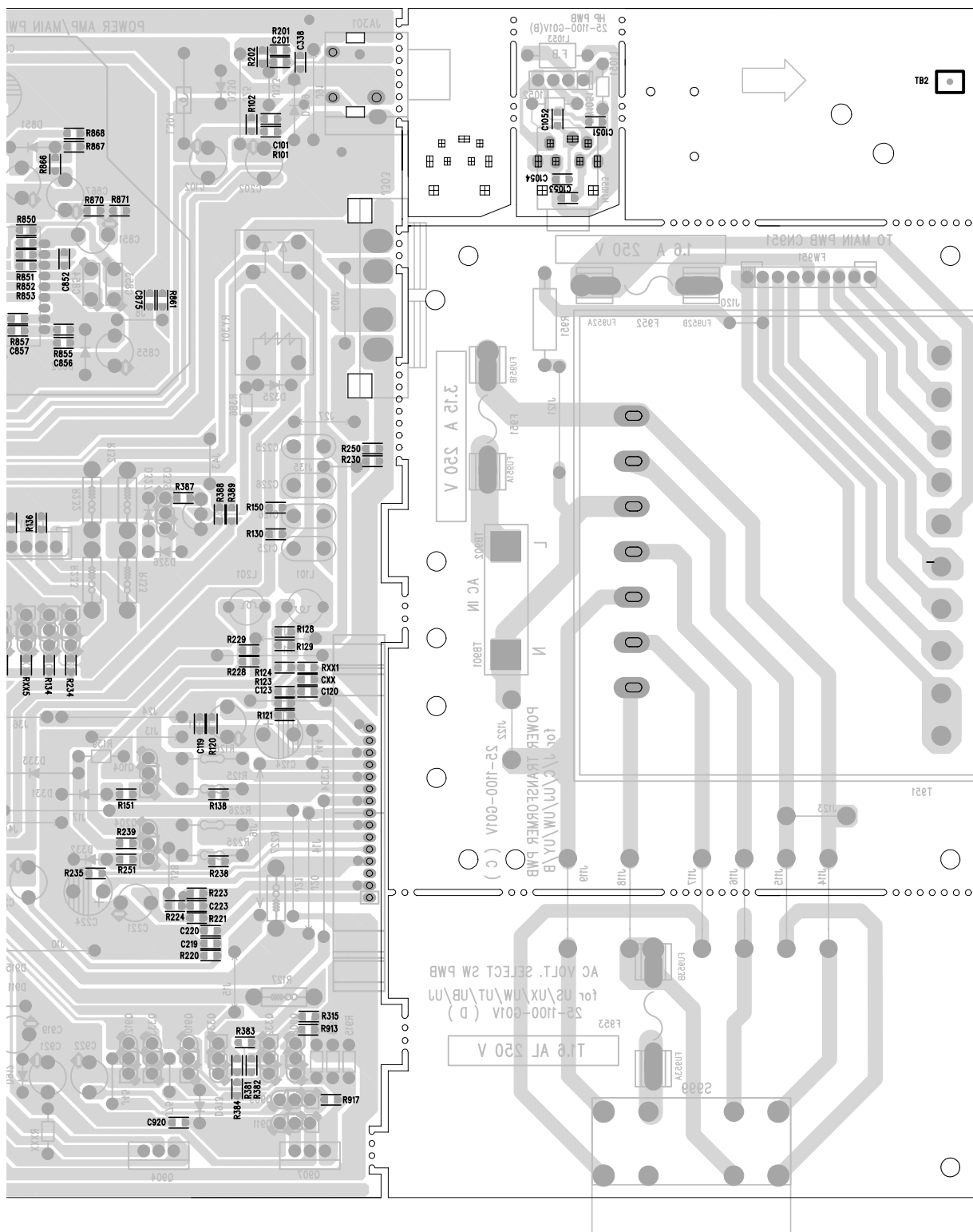
G

■ Main / power-Amp. circuit board (Bottom side) MX-K30

5
4
3
2
1



A B C D



E

F

G

■ CD CIRCUIT BOARD (Top side) MX-K10/K30

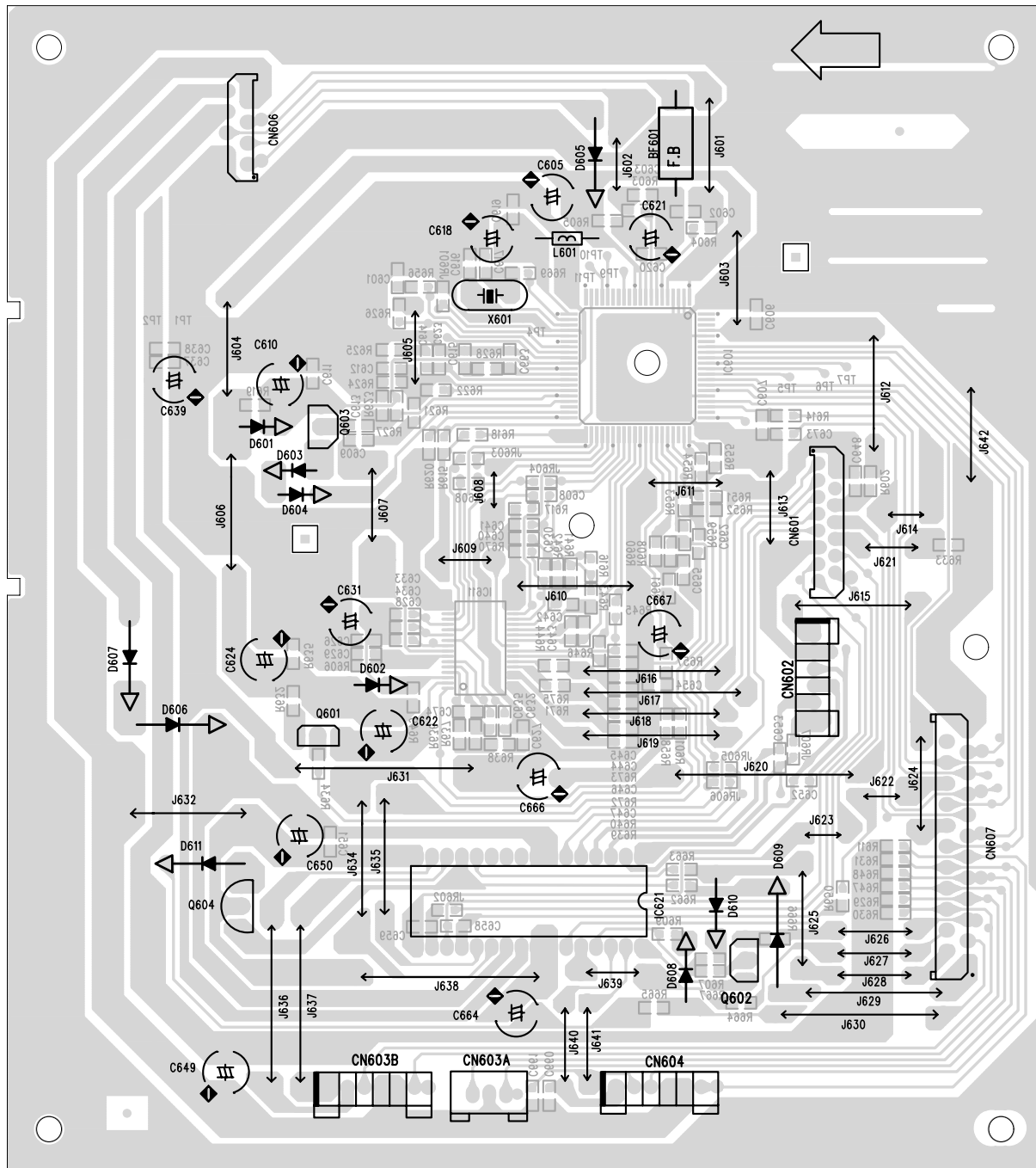
5

4

3

2

1



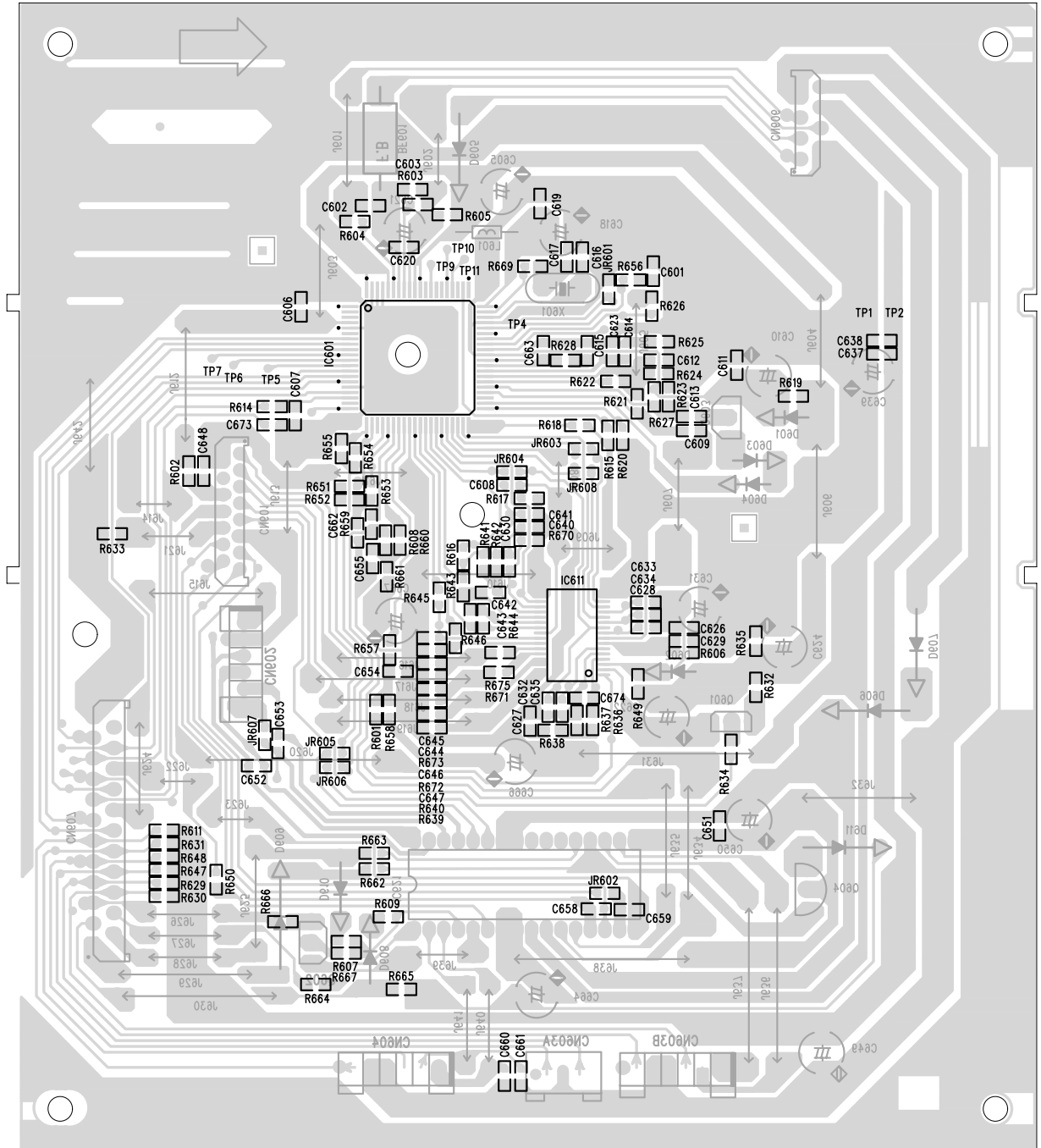
A

B

C

D

■ CD CIRCUIT BOARD (Bottom side) MX-K10/K30

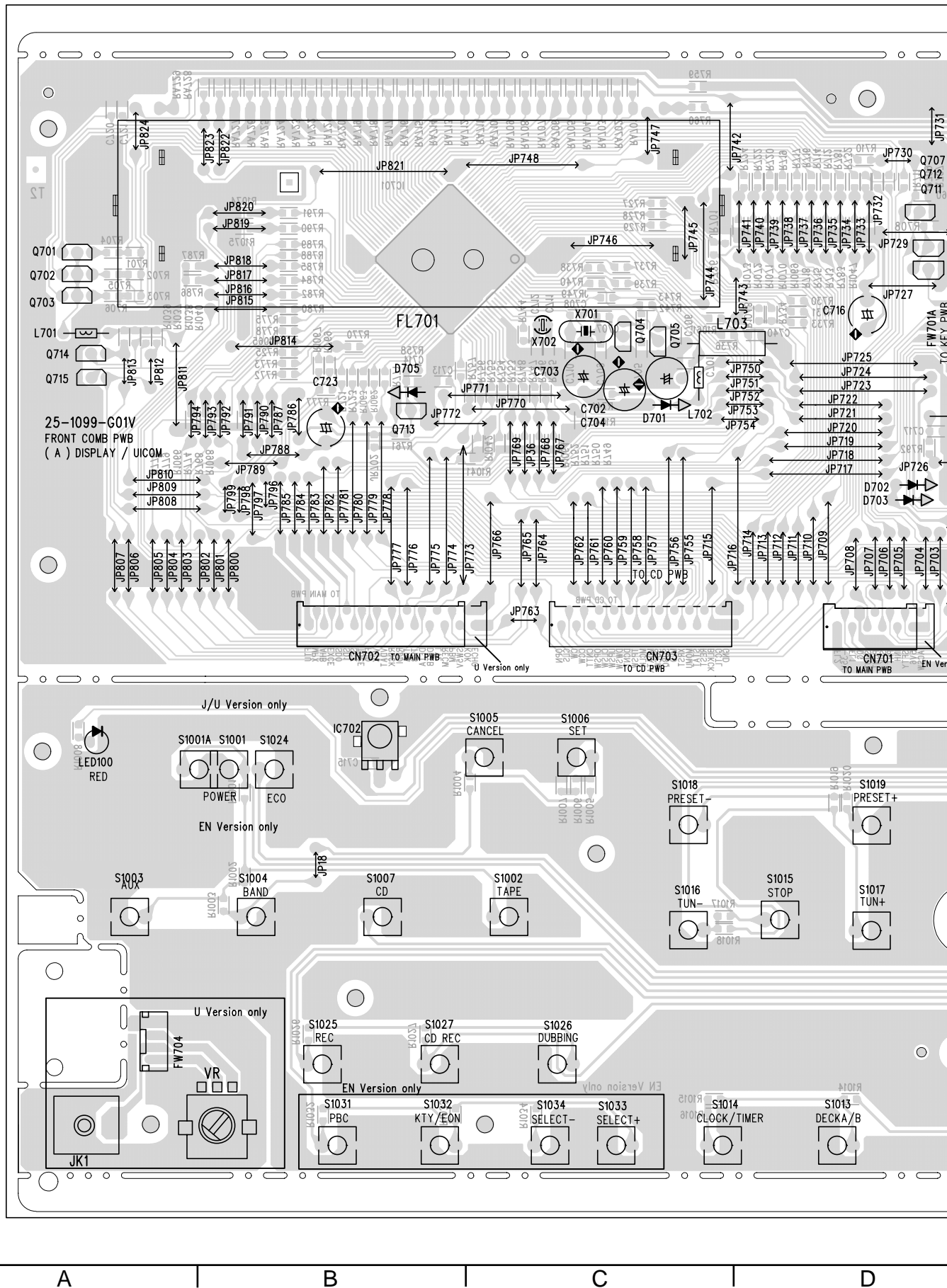


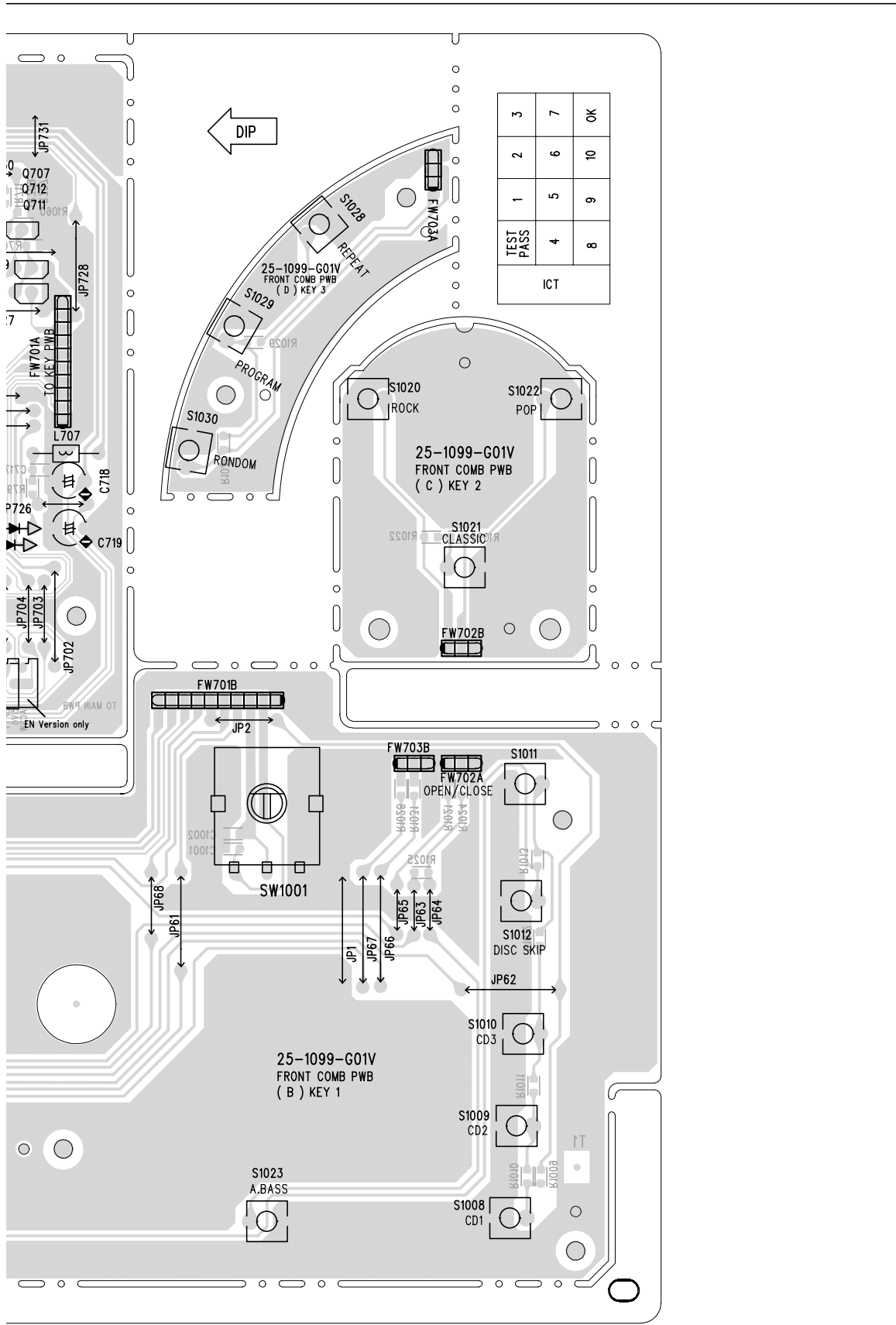
E

F

G

■ FL / CPU CONTROL / KEY BOARD (TOP SIDE) - MX-K10,MX-K30





E

F

G

■ FL / CPU CONTROL / KEY BOARD (BOTTOM SIDE) - MX-K10,MX-K30

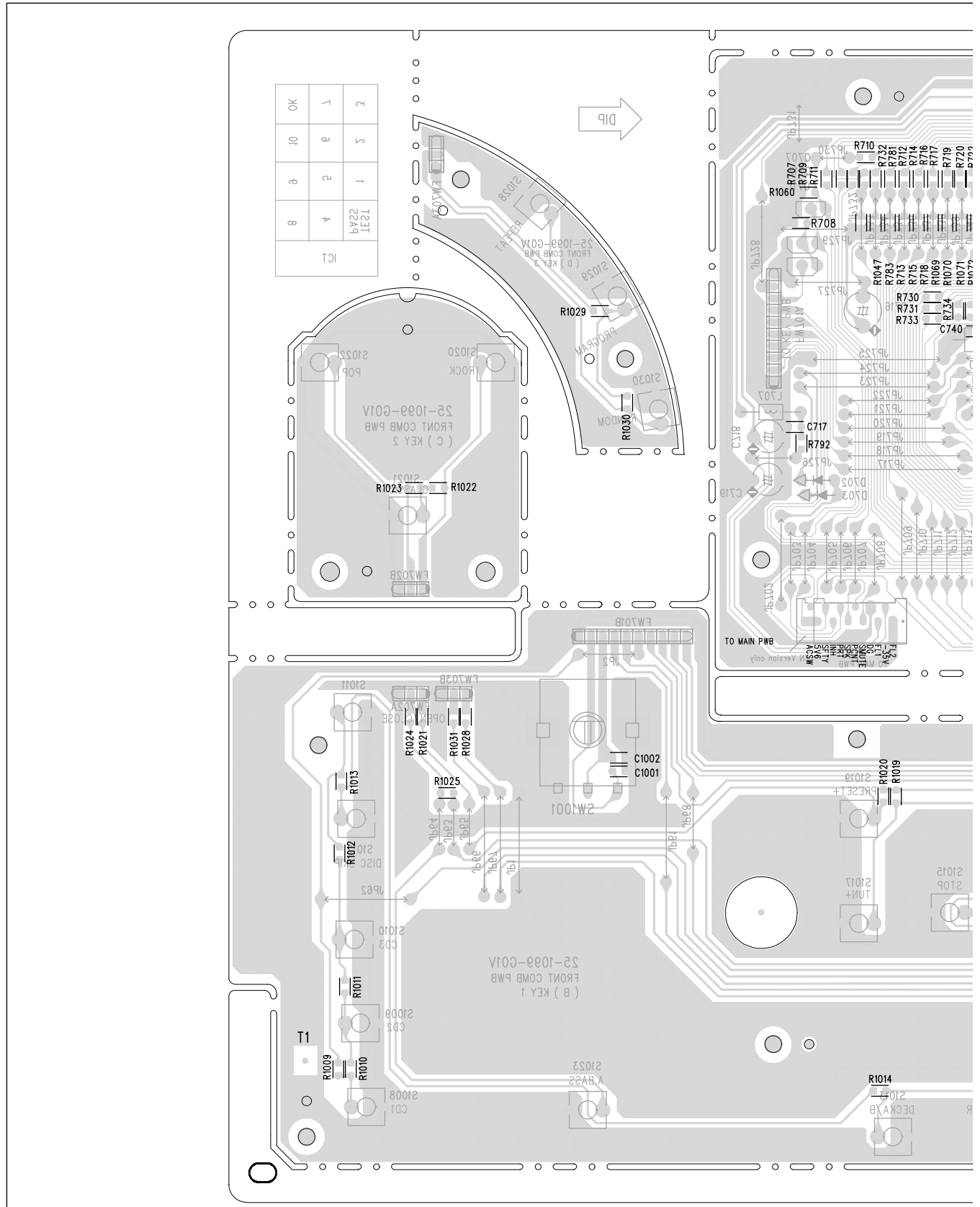
5

4

3

2

1



A

B

C

D

■ TUNER CIRCUIT BOARD (TOP SIDE) - MX-K10,MX-K30

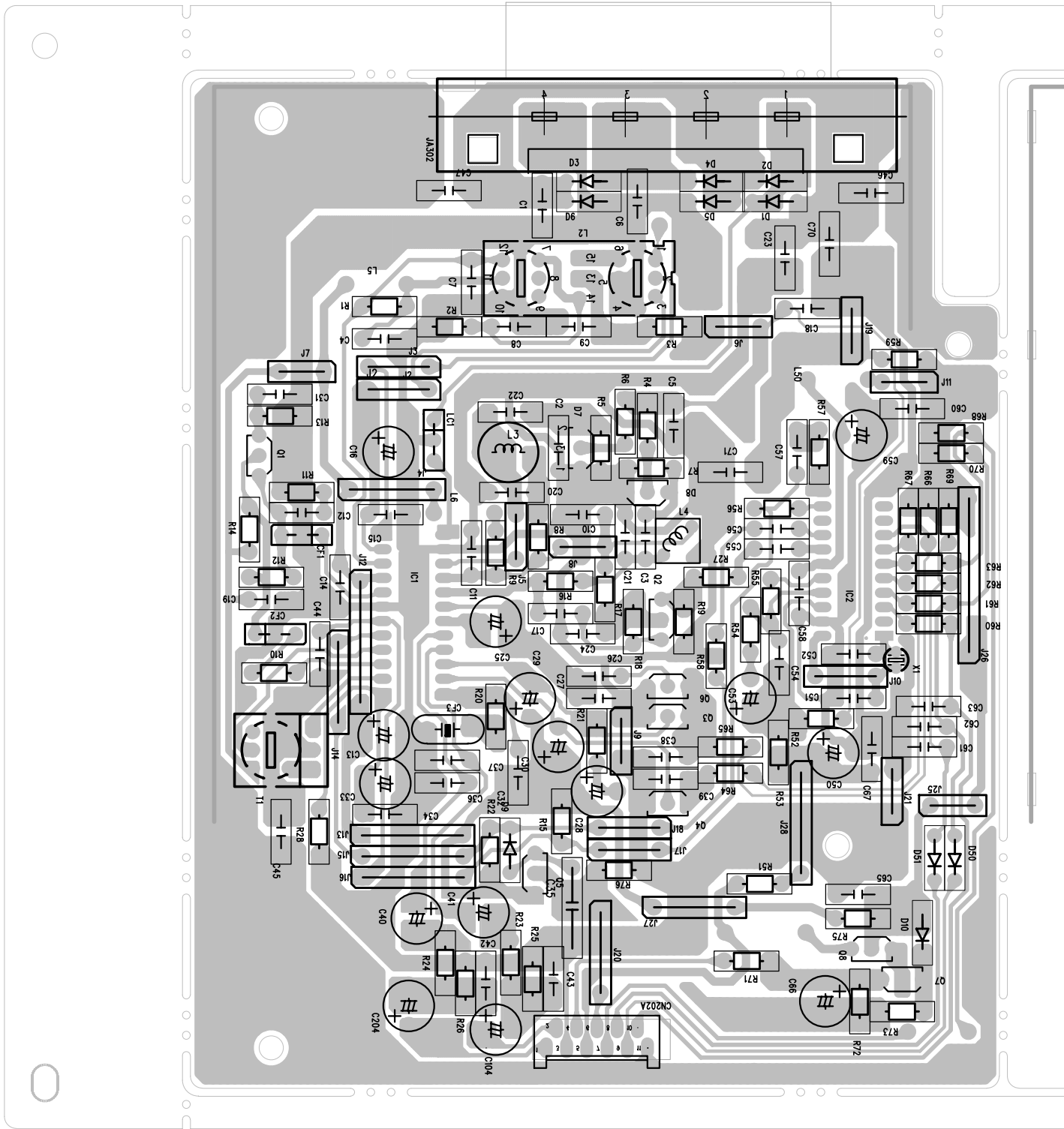
5

4

3

2

1

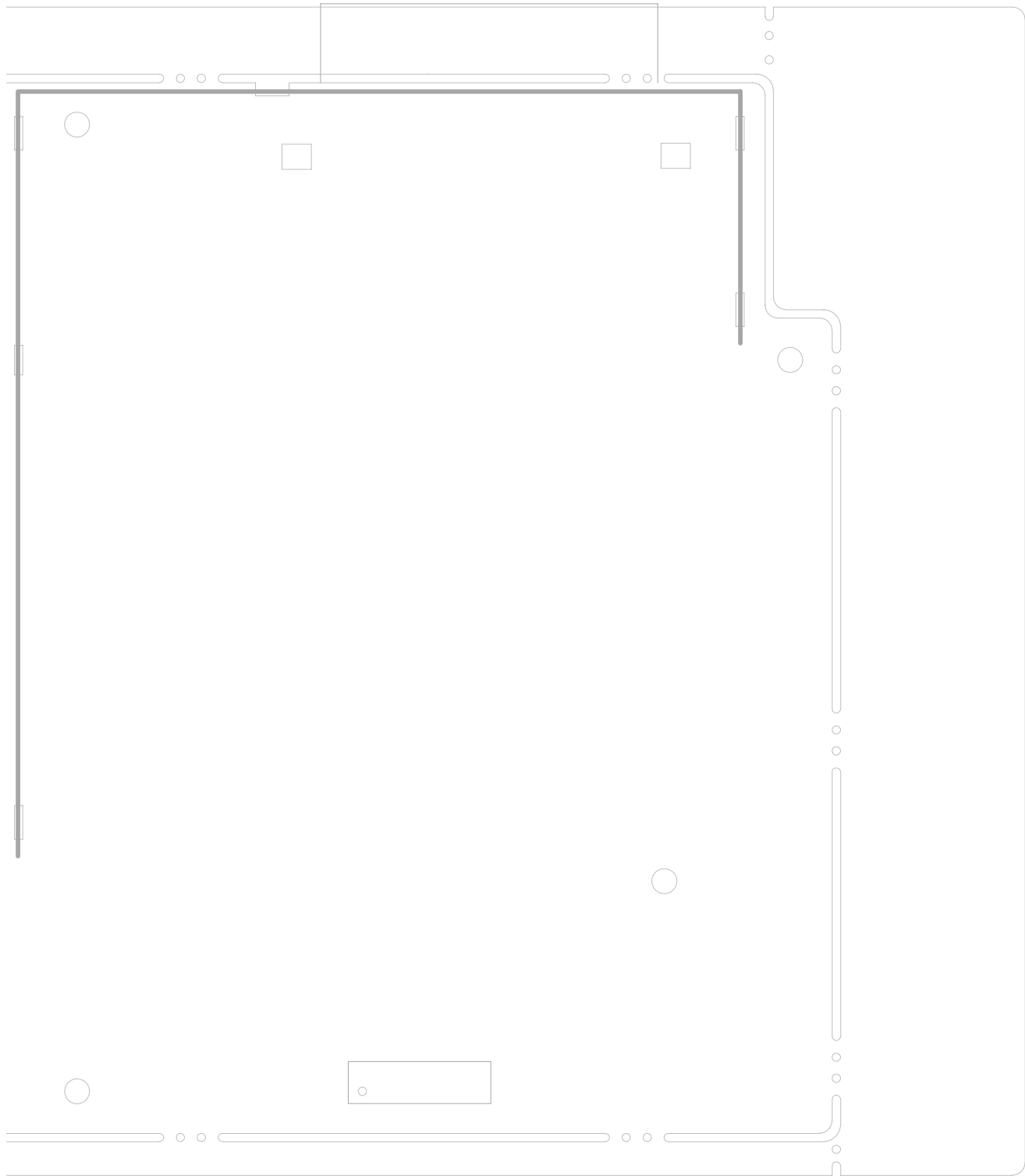


A

B

C

D



JVC

VICTOR COMPANY OF JAPAN, LIMITED

AUDIO & COMMUNICATION BUSINESS DIVISION

PERSONAL & MOBILE NETWORK BUSINESS UNIT. 10-1,1chome,Ohwatari-machi,Maebashi-city,371-8543,Japan

PARTS LIST

[MX-K30]
[MX-K10]

* All printed circuit boards and its assemblies are not available as service parts.

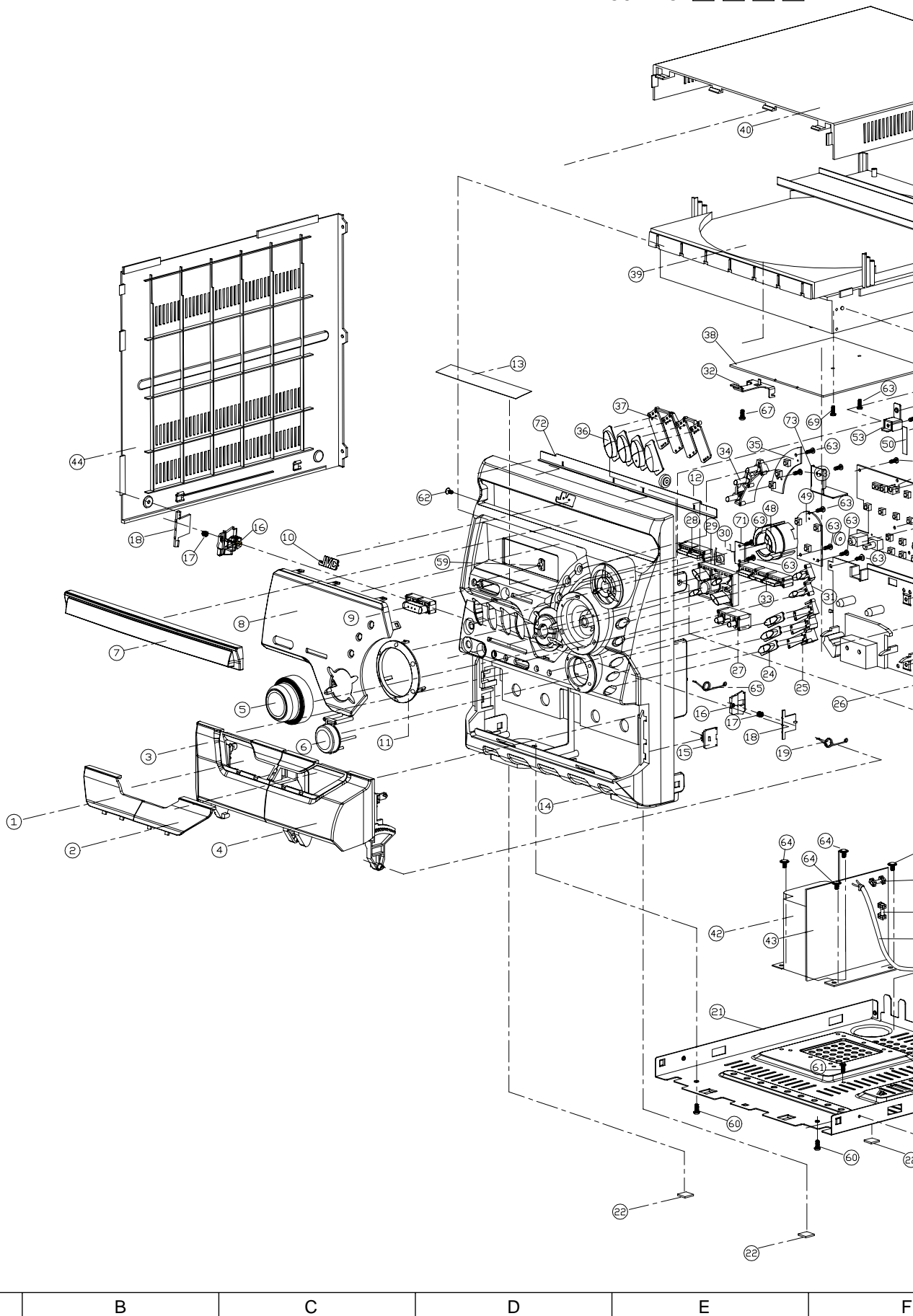
Area suffix	
J	U.S.A.
C	Canada

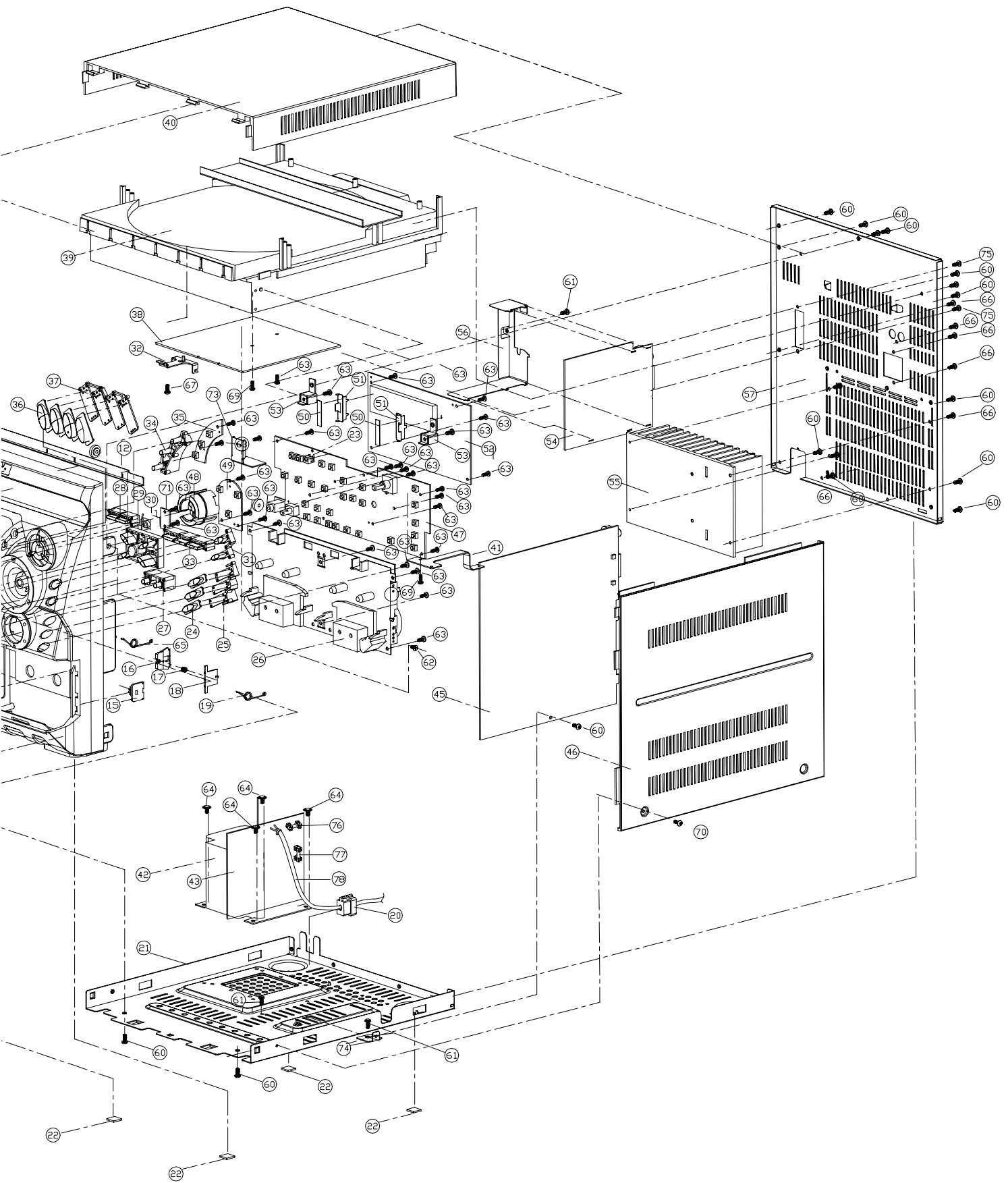
- Contents -

Exploded view of general assembly and parts list	3- 2
CD changer mechanism assembly and parts list	3- 8
Cassette mechanism assembly and parts list	3-10
Electrical parts list	3-11
Packing materials and accessories parts list	3-42

Exploded view of general assembly and parts list (MX-K10)

Block No. M 1 M M





E

F

G

H

I

Exploded view of general assembly and parts list (MX-K30)

Block No. **M 1 M M**

7

6

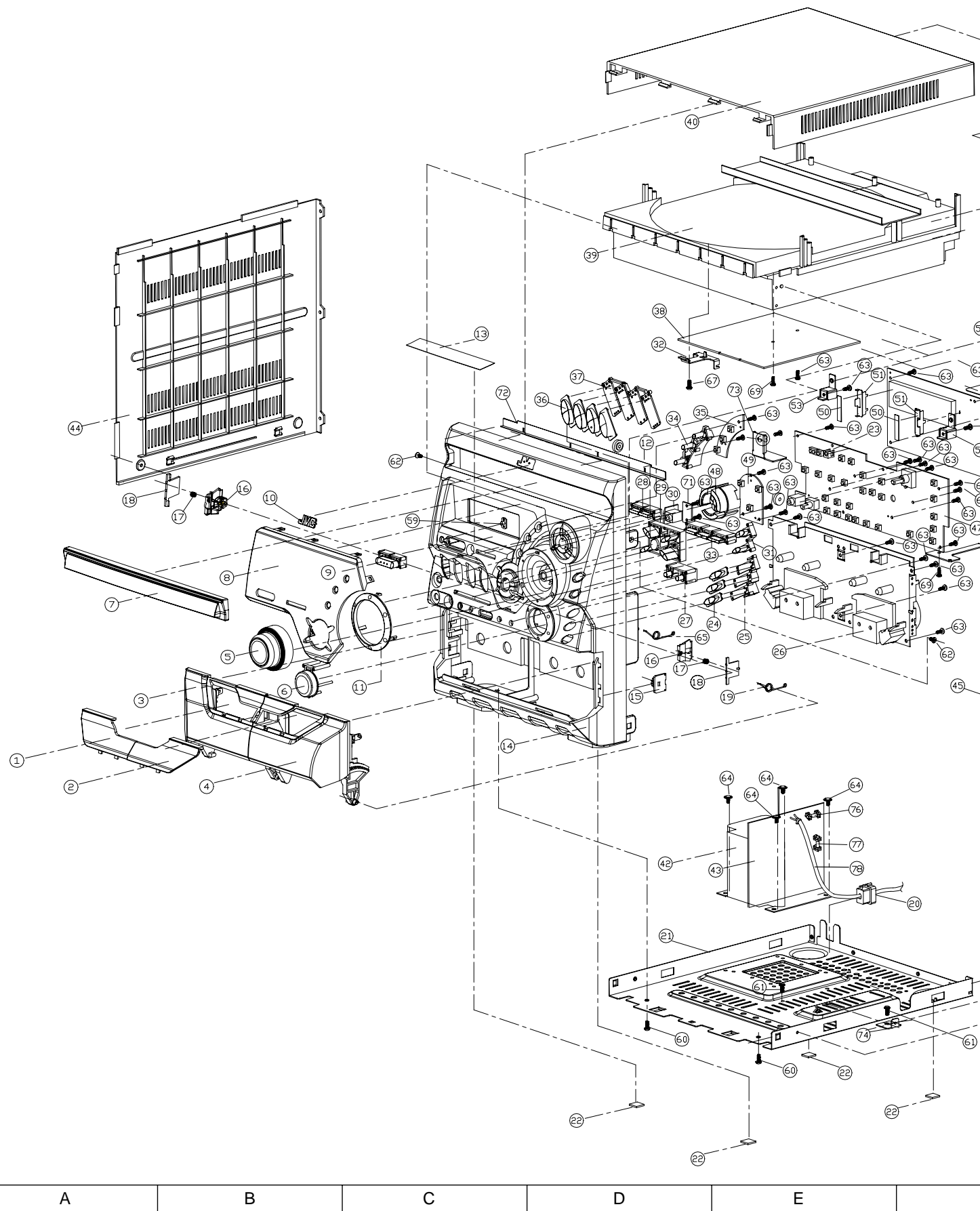
5

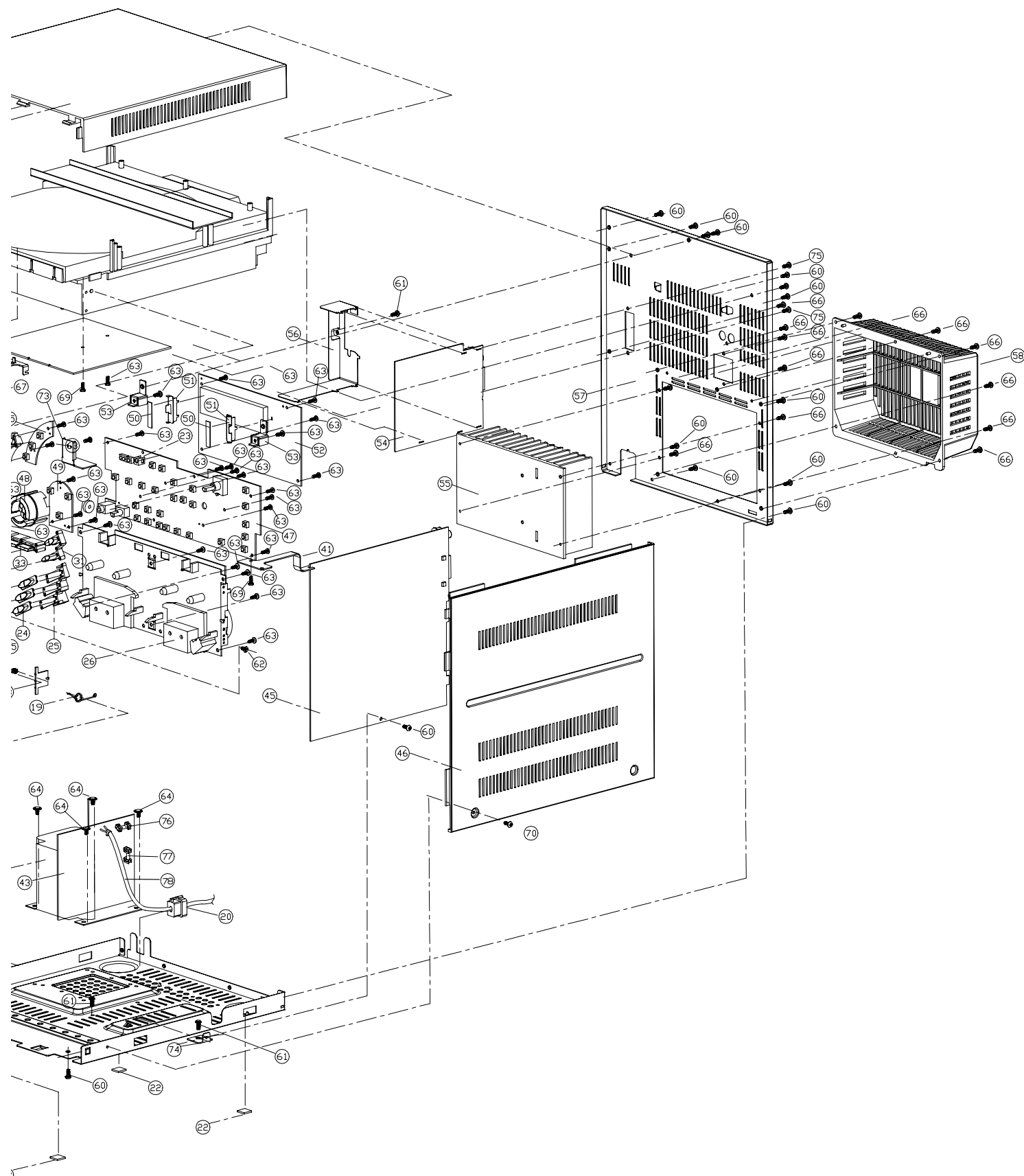
4

3

2

1





E F G H I





Parts list (Exploded view of general assembly)

Block No. M1MM

!	Item	Parts number	Parts name	Q'ty	Description	Area
	1	BI109808010101	WINDOW CASS L	1		
	2	BI109809010101	WINDOW CASS R	1		
	3	BI109806010101	BOX CASS L	1		
	4	BI109807010201	BOX CASS R	1		
	5	BI109819010201	KNOB VOLUME	1		
	6	BI109823010101	KEY BASS	1		
	7	BI109805010201	PANEL CD	1		
	8	BI109810040101	WINDOW DISPLAY	1		
	9	BI109827010101	KEY POWER A	1		
	10	BI109835010101	LOGO JVC	1		
	11	BI109834010101	RING VOLUME	1		
	12	BI109969010201	SPACER	1		
	13	BI301781010101	MIRROR SHEET	1		
	14	BI109804910201	PANEL FRONT	1		
	15	BI301388010101	DAMP	2		
	16	BI109840010101	LOCKER	2		
	17	BI202408010101	SPRING LOCKER	2		
	18	BI109841010101	HOLDER LOCKER	2		
	19	BI202266010101	SPRING CASS R	1		
	20	BI301789010101	BUSHING	1		
	21	BI202262010401	BOTTOM PLATE	1		
	22	BI103362020102	RUBBER FOOT	4		
	23	BI202103010101	HOLDER SENSER	1		
	24	BI109815010101	CAP, CD CHANGE	1		
		BI109816010101	CAP, CD CHANGE	1		
		BI109817010101	CAP, CD CHANGE	1		
	25	BI109822010101	KEY CD CHANG	1		
	26	BI3101441	CASSETTE DECK	1	CMAT6Z219A	
	27	BI109832010101	KEY CLOCK	1		
	28	BI109828010101	KEY DEMO	1		
	29	BI109829010101	KEY PLAY/STOP	1		
	30		PWB PHONE ASSY	1	251100G01V(B)	K30J/C
			PWB PHONE ASSY	1	251131G01V(B)	K10J/C
	31	BI109825010201	KEY OPEN/CLOSE	1		
	32	BI202268010101	BRACKET-PWB-A	1		
	33	BI109831010201	KEY DUBBING	1		
	34	BI109826010201	KEY REPEAT	1		
	35		PWB KEY3 ASSY	1	251099G01V(D)	
	36	BI109811010101	CAP FUNCTION SET	1		
		BI109812010101	CAP FUNCTION SET	1		
		BI109813010101	CAP FUNCTION SET	1		
		BI109814010101	CAP FUNCTION SET	1		
	37	BI109821010101	KEY FUNCTION	1		
	38		PWB CD ASSY	1	251098G01V	
	39	BI681MXK30000	CD CHANGER UNIT	1	CD99CJ	
	40	BI109836910201	PANEL TOP	1		
	41	BI202303010201	BRACKET-PWB-B	1		

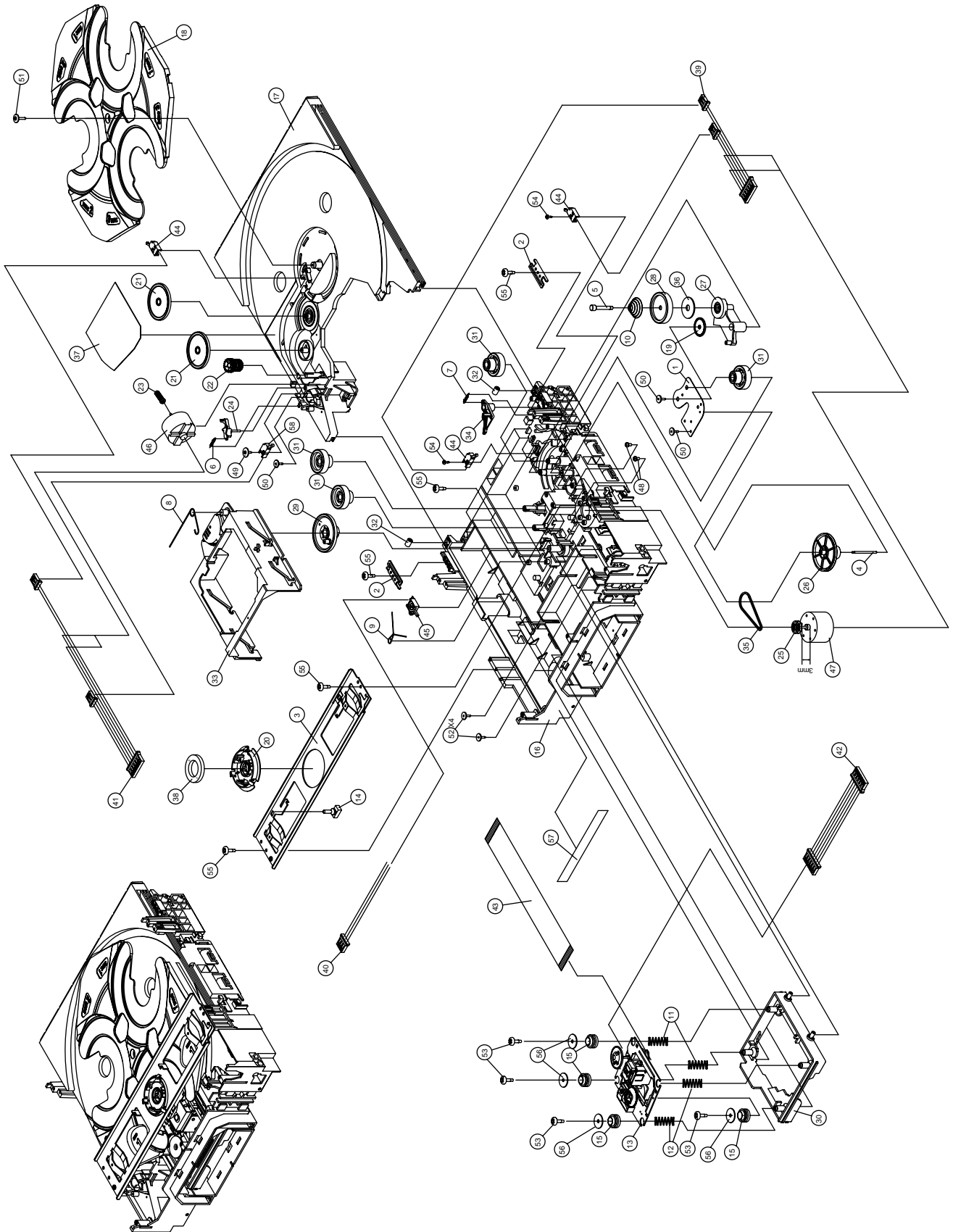
Parts list (Exploded view of general assembly)

Block No. M1MM

	Item	Parts number	Parts name	Q'ty	Description	Area
	42	BI2110405020010	PW TRANSFORMER	1		K30J/C
		BI2110405040010	PW TRANSFORMER	1		K10J/C
	43		PWB PT ASSY	1	251100G01V(C)	K30J/C
			PWB PT ASSY	1	251131G01V(C)	K10J/C
	44	BI109837910401	PANEL SIDE L	1		
	45		PWB MAIN ASSY	1	251100G01V(A)	K30J/C
			PWB MAIN ASSY	1	251131G01V(A)	K10J/C
	46	BI109838910401	PANEL SIDE R	1		
	47		PWB KEY1 ASSY	1	251099G01V(B)	
	48	BI109824010201	KEY SOUNCL MODE	1		
	49		PWB KEY2 ASSY	1	251099G01V(C)	
	50	BI301773010101	DOUBLE SIDE EVA	2		
	51	BI202267010101	HOLDER-VFD	2		
	52		PWB DISPLAY ASSY	1	251099G01V(A)	
	53	BI202264010101	BRACKET-ADAPTOR	2		
	54		PWB 2B TUNER ASSY	1	251111G01V	
	55	BI202321010101	HEAT SINK K30J	1		K30J/C
		BI202316010201	HEAT SINK K10	1	K10J	/C
	56	BI202304010101	HOLDER TUNER	1		
	57	BI202319020101	PANEL REAL	1		K30J/C
		BI202315020101	PANEL REAL	1		K10J/C
	58	BI109970910101	HEAT SINK COVER	1		K30J/C
	59	BI109818010101	LES LED	1		
	60	BIRM000604S3	SCREW	21	RH/MS 3x8mm	K30J/C
		BIRM000604S3	SCREW	16	RH/MS 3x8mm	K10J/C
	61	BIRM000601S3	SCREW	3	RH/MS 3x6mm	K30J/C
		BIRM000601S3	SCREW	3	RH/MS 3x6mm	K10J/C
	62	BIKT000627	SCREW	2	KH/TS 3x12mm	
	63	BIBT000418	SCREW	31	BT/TS 2.6x8mm	
	64	BIPMW001101S3	SCREW	4	PMW/TS 4x8mm	
	65	BI202265010101	SPRING CASS L	1		
	66	BIRT000618B2	SCREW	1	RH/TS 3x6mm	K30J/C
		BIRT000618B2	SCREW	6	RH/TS 3x6mm	K10J/C
	67	BIBT000206	SCREW	2	BH/TS 2x8mm	
	68	BIBT0006091	SCREW	2	BH/TS 3x14mm	K30J/C
	69	BIRT000611B3	SCREW	7	RH/TS 3x8mm	K30J/C
		BIRT000611B3	SCREW	5	RH/TS 3x8mm	K10J/C
	70	BIBM000618	SCREW	2	BT/MS 3x6mm	
	71		PWB PHONE HOLDER	1	251099G01V	
	72	BI202337010101	BRACKET FORNT	1		
	73	BI202348010101	BRACKET CD DECK	1		
	74	BI202337010101	BRACKET MB	1		
	75	BIRT000617B3	SCREW	2	RH/TS 3x10mm	
	76	403011	FUSE	1	3.15A 250V	K30J F951
	77	402991	FUSE	2	1.6A 250V	K10J F951 F952
		402991	FUSE	1	1.6A 250V	K30J F952
	78	1400862	AC CORD	1	UL/CSA	

CD changer mechanism assembly and parts list

Block No. **M** **A** **M** **M**



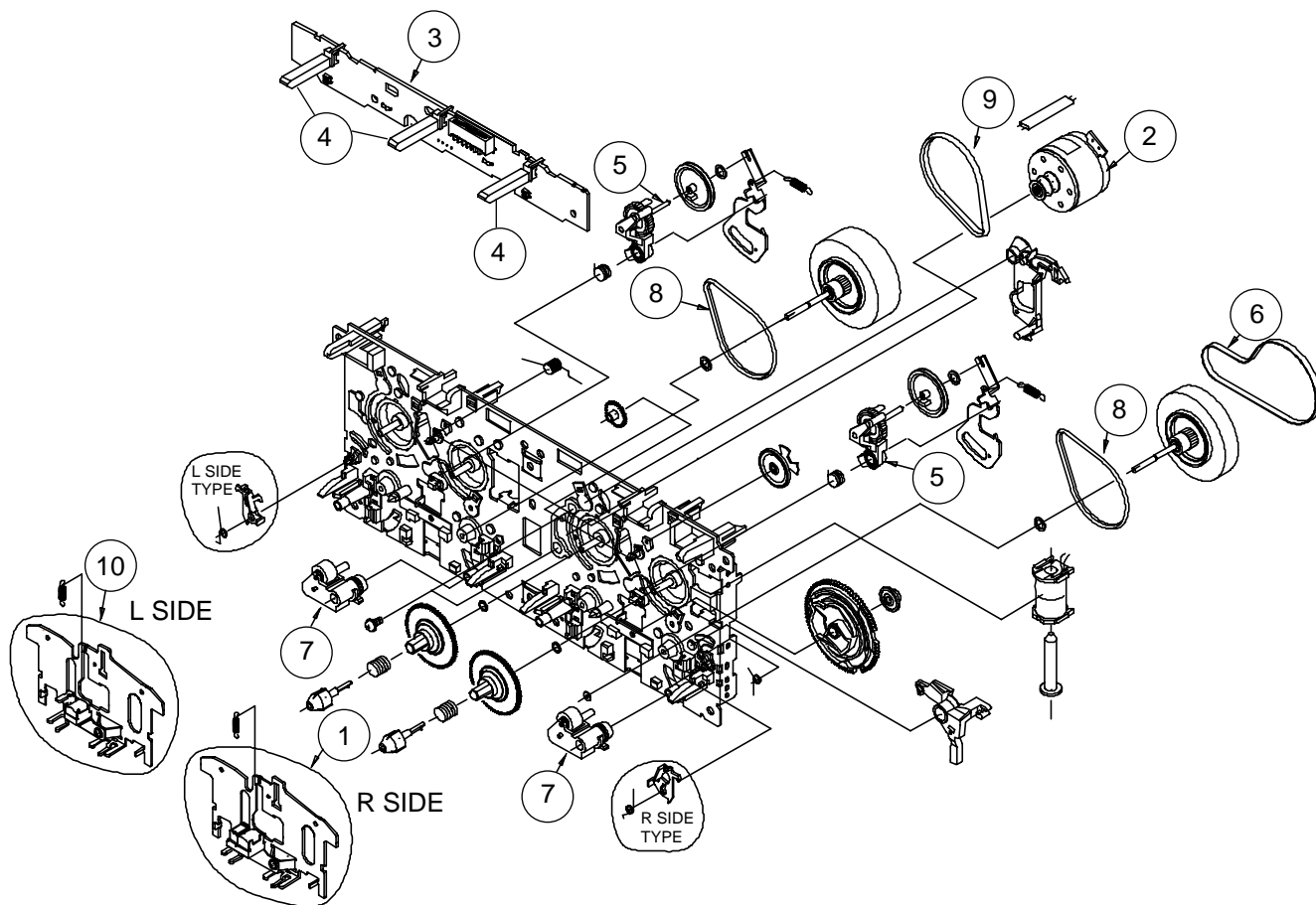
Electrical parts list (CD changer mechanism)

⚠	Item Location	Parts number	Parts name	Q'ty.	Description	Area
	1	BI3199801000	GEAR PLATE	1	CD MECH.W/PICK UP	
	2	BI3199802000	GUIDE PLATE	2		
	3	BI3199804000	UP COVER PLATE	1		
	4	BI3499801000	SHAFT PULLEY	1		
	5	BI3499802000	SHAFT SWING	1		
	6	BI3599801001	T/T SWITCH SPRING	1		
	7	BI3599802000	SWING SPRING	1		
	8	BI3599803000	SPRING BIG	1		
	9	BI3599804000	SPRING SMALL	1		
	10	BI3599805000	TOWER FORM SPRING	1		
	11	BI3599806000	CUSHION HARD	1		
	12	BI3599807000	CUSHION SOFT	3		
	13	BI36CJ000000	M-399 OPTIMA-7	1		
	15	BI3799802000	CUSHION RUBBER	4		
	16	BI4299801001	BASE	1		
	17	BI4299802000	TRAY	1		
	18	BI4299803002	TURN CHANGER	1		
	19	BI4299804000	INERTIA GEAR (A)	1		
	20	BI4299821000	HOLDER DISC	1		
	21	BI4299806000	T/T GEAR	2		
	22	BI4297307000	OBLIQUE GEAR	1		
	23	BI4299808000	SCREW STICK	1		
	24	BI4299809000	T/T LEVER LOCK	1		
	25	BI4299810000	PULLEY	1		
	26	BI4299811000	PULLEY GEAR	1		
	27	BI4299812000	BASE CHANGE	1		
	28	BI4299813000	TRANSMISSION	1		
	29	BI4299814001	MECHA GEAR	1		
	30	BI4299815000	MECHA HOLDER	1		
	31	BI4299816001	INERTIA GEAR (B)	4		
	32	BI4299817000	ROLLER	2		
	33	BI4299818000	BASE CD MECHANISM	1		
	34	BI4299819000	BUFFER BASE	1		
	35	BI4399801000	BELT	1		
	36	BI4799801000	BASE CHANGE FELT	1		
	37	BI4799803001	PVC PLATE	1		
	38	BI4799804000	MAGNET DISC CRAMP	1		
	39	BI5099807000	WIRE ASSY 6P	1		
	40	BI5099808000	WIRE ASSY 3P	1		
	41	BI5099809000	WIRE ASSY 6P	1		
	42	BI5099811001	WIRE ASSY 6P	1		
	43	BI5099812001	FLEX CABLE 15P	1		
	44	BI6599801000	SWITCH	3		
	45	BI6599802000	SWITCH	1		
	46	BI6994301000	MOTOR	1		
	47	BI6999801000	MOTOR	1		
	48	BI86000102J3	SCREW	2		M2.6 x 5.0
	49	BI86000115F1	SCREW	1		M2.0 x 12.0
	50	BI86000125E1	SCREW	3		M1.7 x 8.0
	51	BI86000135E1	SCREW	1		M3.0 x 8.0
	52	BI86000145E2	SCREW	4		M1.7 x 8.0
	53	BI865F31B075	SCREW	4		M2.0 x 7.5
	54	BI865F31B120	SCREW	2		M2.0 x 12.0
	55	BI865J31B080	SCREW	5		M2.6 x 8.0
	56	BI8811231206	WASHER	4		2.2 x 13.0 x 0.6
	57	BI4500001100	YST BAR CODE	1		
	58	BI6599801001	SWITCH	1		

Cassette mechanism assembly and parts list

Block No. **M P M M**

CMAT6Z219A




Note: Parts listed on the Parts List below can be supplied. However, parts that are not listed below cannot be supplied individually but only by purchasing the whole Cassette Mechanism Assembly Unit. (When ordering, use the Parts No. CMAT6Z219A for Cassette Mechanism Assembly Unit.)

Parts List (Cassette mechanism)


Block No. MPMM

	Item	Parts number	Parts name	Q'ty	Description	Area
	1	BIF513-858	PLATE HD BLK	1		
	2	BIF525-346	MTR MAIN BLK	1		
	3	BIF567-843	PCB CONTROL BLK	1		
	4	BIUE20P-12	LEAF SWITCH	3		
	5	BIF522-063	CLUTCH ASSY BLK	2		
	6	BIFF19N-31	MAIN BELT	1		
	7	BIF514-35	ROLLER PINCH BLK R	2		
	8	BIFF19S-31	F/R BELT MO	2		
	9	BIFF19N-22	MAIN BELT	1		
	10	BIF513-855	PLATE HD BLK	1		


MX-K30/MX-K10 FRONT DISPLAY UICOM SELECTION

Item		PWB TOP	PWB BOTTOM	Item Location	Parts number	Parts name	Remarks Value	Area
				C701	NCB31EK-104X	C CAPACITOR	0.1	
				C702	QETM0JM-227	E CAPACITOR	220/6.3V	
				C703	QETM0JM-227	E CAPACITOR	220/6.3V	
				C704	QETM0JM-227	E CAPACITOR	220/6.3V	
				C705	NCB31HK-102X	C CAPACITOR	0.001	
				C706	NCB31HK-102X	C CAPACITOR	0.001	
				C707	NDC31HJ-390X	C CAPACITOR	39P	
				C708	NDC31HJ-330X	C CAPACITOR	33P	
				C709	NDC31HJ-220X	C CAPACITOR	22P	
				C710	NDC31HJ-220X	C CAPACITOR	22P	
				C711	NDC31HJ-220X	C CAPACITOR	22P	
				C712	NDC31HJ-220X	C CAPACITOR	22P	
				C713	NCB31EK-104X	C CAPACITOR	0.1	
				C714	NCB31HK-103X	C CAPACITOR	0.01	
				C715	NCB31HK-102X	C CAPACITOR	0.001	
				C716	QETM1AM-476	E CAPACITOR	47/10V	
				C717	NCB31EK-104X	C CAPACITOR	0.1	
				C718	QETM1HM-226	E CAPACITOR	22uF/50V	
				C719	QETM1HM-226	E CAPACITOR	22uF/50V	
				C720	NDC31HJ-151X	C CAPACITOR	150P	
				C721	NDC31HJ-151X	C CAPACITOR	150P	
				C723	QETM1HM-105	E CAPACITOR	1uF/50V	
				C740	NDC31HJ-101X	C CAPACITOR	100P	
				C1001	NCB31HK-103X	C CAPACITOR	0.01	
				C1002	NCB31HK-103X	C CAPACITOR	0.01	
				CN701	12S110021	FFC CONNECTOR	11P H 1.25mm	
				CN702	12S210005	FFC CONNECTOR	21P H 1.25mm	
				CN703	12S220005	FFC CONNECTOR	22P H 1.25mm	
				D701	11ES2-T4	SI DIODE	1SS133	
				D702	11ES2-T4	SI DIODE	1SS133	
				D703	11ES2-T4	SI DIODE	1SS133	
				D705	11ES2-T4	SI DIODE	1SS133	
				FL701	2701601	FL DISPLAY	BJ828GNK	
				FW701A&B	1204091	CONN. WIRE	10PIN FLAT CABLE	
				FW702A&B	1203941	CONN. WIRE	3PIN FLAT CABLE	
				FW703A&B	1203931	CONN. WIRE	3PIN FLAT CABLE	
				IC701	113171	IC	MN101C35D	
				IC702	RPM6938-SV4	IR.UNIT IC	RPM6938-V4	
				JK1	NIL	MIC JACK	NO MOUNT	
				JR701	NRSA63J-0R0X	MG RESISTOR	0	
				JR702	NRSA63J-0R0X	MG RESISTOR	0	
				JR749	NRSA63J-0R0X	MG RESISTOR	0	
				L701	26220000KN0024	FIXED INDUCTOR	22uH	
				L702	26100000KM0024	FIXED INDUCTOR	10uH	
				L703	18A843556N0002	F-BEAD F.B	843556	
				L707	26100000KM0024	FIXED INDUCTOR	10uH	
				LED100	28B4531EP0110	RED LED	BL-B4531E	
				Q701	2KTC3199GP0008	TRANSISTOR	KTC3199GR	
				Q702	2KTC3199GP0008	TRANSISTOR	KTC3199GR	
				Q703	2KTC3199GP0008	TRANSISTOR	KTC3199GR	
				Q704	2KTC3195YP0008	TRANSISTOR	KTC3195Y	
				Q705	2KTC3195YP0008	TRANSISTOR	KTC3195Y	
				Q707	DTC114YSA-T	D.TRANSISTOR	DTC114YS	
				Q711	KRA102M-T	D.TRANSISTOR	KRA102M	
				Q712	KRA102M-T	D.TRANSISTOR	KRA102M	
				Q713	DTC114YSA-T	D.TRANSISTOR	DTC114YS	
				Q714	2KTC3199GP0008	TRANSISTOR	KTC3199GR	
				Q715	2KTC3199GP0008	TRANSISTOR	KTC3199GR	
				R701	NRSA63J-473X	MG RESISTOR	47K	
				R702	NRSA63J-473X	MG RESISTOR	47K	
				R703	NRSA63J-473X	MG RESISTOR	47K	
				R704	NRSA63J-103X	MG RESISTOR	10K	
				R705	NRSA63J-103X	MG RESISTOR	10K	
				R706	NRSA63J-103X	MG RESISTOR	10K	
				R707	NRSA63J-102X	MG RESISTOR	1K	
				R708	NRSA63J-103X	MG RESISTOR	10K	
				R709	NRSA63J-102X	MG RESISTOR	1K	
				R710	NRSA63J-102X	MG RESISTOR	1K	
				R711	NRSA63J-102X	MG RESISTOR	1K	
				R712	NRSA63J-102X	MG RESISTOR	1K	


MX-K30/MX-K10 FRONT DISPLAY UICOM SELECTION

Item		PWB TOP	PWB BOTTOM	Item Location	Parts number	Parts name	Remarks Value	Area
			O	R713	NRSA63J-473X	MG RESISTOR	47K	
			O	R714	NRSA63J-222X	MG RESISTOR	2.2K	
			O	R715	NRSA63J-473X	MG RESISTOR	47K	
			O	R716	NRSA63J-222X	MG RESISTOR	2.2K	
			O	R717	NRSA63J-102X	MG RESISTOR	1K	
			O	R718	NRSA63J-473X	MG RESISTOR	47K	
			O	R719	NRSA63J-222X	MG RESISTOR	2.2K	
			O	R720	NRSA63J-102X	MG RESISTOR	1K	
			O	R721	NRSA63J-102X	MG RESISTOR	1K	
			O	R722	NRSA63J-102X	MG RESISTOR	1K	
			O	R723	NRSA63J-221X	MG RESISTOR	220	
			O	R724	NRSA63J-102X	MG RESISTOR	1K	
			O	R725	NRSA63J-331X	MG RESISTOR	330	
			O	R726	NRSA63J-103X	MG RESISTOR	10K	
			O	R727	NRSA63J-102X	MG RESISTOR	1K	
			O	R728	NRSA63J-102X	MG RESISTOR	1K	
			O	R729	NRSA63J-102X	MG RESISTOR	1K	
			O	R730	NRSA63J-102X	MG RESISTOR	1K	
			O	R731	NRSA63J-102X	MG RESISTOR	1K	
			O	R732	NRSA63J-102X	MG RESISTOR	1K	
			O	R733	NRSA63J-472X	MG RESISTOR	4.7K	
			O	R734	NRSA63J-472X	MG RESISTOR	4.7K	
			O	R736	NRSA63J-101X	MG RESISTOR	100	
			O	R737	NRSA63J-101X	MG RESISTOR	100	
			O	R738	NRSA63J-221X	MG RESISTOR	220	
			O	R739	NRSA63J-221X	MG RESISTOR	220	
			O	R740	NRSA63J-221X	MG RESISTOR	220	
			O	R741	NRSA63J-331X	MG RESISTOR	330	
			O	R742	NRSA63J-222X	MG RESISTOR	2.2K	
			O	R743	NRSA63J-222X	MG RESISTOR	2.2K	
			O	R744	NRSA63J-221X	MG RESISTOR	220	
			O	R745	NRSA63J-222X	MG RESISTOR	2.2K	
			O	R746	NRSA63J-222X	MG RESISTOR	2.2K	
			O	R747	NRSA63J-222X	MG RESISTOR	2.2K	
			O	R748	NRSA63J-222X	MG RESISTOR	2.2K	
			O	R749	NRSA63J-472X	MG RESISTOR	4.7K	
			O	R750	NRSA63J-472X	MG RESISTOR	4.7K	
			O	R751	NRSA63J-472X	MG RESISTOR	4.7K	
			O	R752	NRSA63J-472X	MG RESISTOR	4.7K	
			O	R753	NRSA63J-222X	MG RESISTOR	2.2K	
			O	R754	NRSA63J-222X	MG RESISTOR	2.2K	
			O	R755	NRSA63J-222X	MG RESISTOR	2.2K	
			O	R756	NRSA63J-222X	MG RESISTOR	2.2K	
			O	R757	NRSA63J-102X	MG RESISTOR	1K	
			O	R758	NRSA63J-222X	MG RESISTOR	2.2K	
			O	R759	NRSA63J-2R2X	MG RESISTOR	2.2	
			O	R760	NRSA63J-2R2X	MG RESISTOR	2.2	
			O	R761	NRSA63J-473X	MG RESISTOR	47K	
			O	R768	NRSA63J-104X	MG RESISTOR	100K	
			O	R769	NRSA63J-102X	MG RESISTOR	1K	
			O	R770	NRSA63J-222X	MG RESISTOR	2.2K	
			O	R771	NRSA63J-221X	MG RESISTOR	220	
			O	R772	NRSA63J-222X	MG RESISTOR	2.2K	
			O	R773	NRSA63J-222X	MG RESISTOR	2.2K	
			O	R774	NRSA63J-182X	MG RESISTOR	1.8K	
			O	R775	NRSA63J-102X	MG RESISTOR	1K	
			O	R776	NRSA63J-103X	MG RESISTOR	10K	
			O	R777	NRSA63J-473X	MG RESISTOR	47K	
			O	R778	NRSA63J-102X	MG RESISTOR	1K	
			O	R779	NRSA63J-103X	MG RESISTOR	10K	
			O	R780	NRSA63J-222X	MG RESISTOR	2.2K	
			O	R781	NRSA63J-102X	MG RESISTOR	1K	
			O	R782	NRSA63J-222X	MG RESISTOR	2.2K	
			O	R783	NRSA63J-473X	MG RESISTOR	47K	
			O	R784	NRSA63J-222X	MG RESISTOR	2.2K	
			O	R785	NRSA63J-222X	MG RESISTOR	2.2K	
			O	R786	NRSA63J-103X	MG RESISTOR	10K	
			O	R787	NRSA63J-103X	MG RESISTOR	10K	
			O	R788	NRSA63J-102X	MG RESISTOR	1K	
			O	R789	NRSA63J-222X	MG RESISTOR	2.2K	

MX-K30/MX-K10 FRONT DISPLAY UICOM SELECTION

Item		PWB TOP	PWB BOTTOM	Item Location	Parts number	Parts name	Remarks Value	Area
			O	R790	NRSA63J-102X	MG RESISTOR	1K	
			O	R791	NRSA63J-101X	MG RESISTOR	100	
			O	R792	NRSA63J-331X	MG RESISTOR	330	
			O	R1001	NRSA63J-681X	MG RESISTOR	680	
			O	R1002	NRSA63J-681X	MG RESISTOR	680	
			O	R1003	NRSA63J-821X	MG RESISTOR	820	
			O	R1004	NRSA63J-102X	MG RESISTOR	1K	
			O	R1005	NRSA63J-152X	MG RESISTOR	1.5K	
			O	R1006	NRSA63J-183X	MG RESISTOR	18K	
			O	R1007	NRSA63J-822X	MG RESISTOR	8.2K	
			O	R1008	NRSA63J-681X	MG RESISTOR	680	
			O	R1009	NRSA63J-681X	MG RESISTOR	680	
			O	R1010	NRSA63J-681X	MG RESISTOR	680	
			O	R1011	NRSA63J-821X	MG RESISTOR	820	
			O	R1012	NRSA63J-102X	MG RESISTOR	1K	
			O	R1013	NRSA63J-152X	MG RESISTOR	1.5K	
			O	R1014	NRSA63J-222X	MG RESISTOR	2.2K	
			O	R1015	NRSA63J-272X	MG RESISTOR	2.7K	
			O	R1016	NRSA63J-183X	MG RESISTOR	18K	
			O	R1017	NRSA63J-681X	MG RESISTOR	680	
			O	R1018	NRSA63J-681X	MG RESISTOR	680	
			O	R1019	NRSA63J-821X	MG RESISTOR	820	
			O	R1020	NRSA63J-102X	MG RESISTOR	1K	
			O	R1021	NRSA63J-152X	MG RESISTOR	1.5K	
			O	R1022	NRSA63J-222X	MG RESISTOR	2.2K	
			O	R1023	NRSA63J-272X	MG RESISTOR	2.7K	
			O	R1024	NRSA63J-562X	MG RESISTOR	5.6K	
			O	R1025	NRSA63J-123X	MG RESISTOR	12K	
			O	R1026	NRSA63J-681X	MG RESISTOR	680	
			O	R1027	NRSA63J-681X	MG RESISTOR	680	
			O	R1028	NRSA63J-821X	MG RESISTOR	820	
			O	R1029	NRSA63J-102X	MG RESISTOR	1K	
			O	R1030	NRSA63J-152X	MG RESISTOR	1.5K	
			O	R1031	NRSA63J-222X	MG RESISTOR	2.2K	
			O	R1032	NRSA63J-272X	MG RESISTOR	2.7K	
			O	R1033	NRSA63J-562X	MG RESISTOR	5.6K	
			O	R1034	NRSA63J-123X	MG RESISTOR	12K	
			O	R1037	NRSA63J-223X	MG RESISTOR	22K	
			O	R1038	NRSA63J-223X	MG RESISTOR	22K	
			O	R1039	NRSA63J-124X	MG RESISTOR	120K	
			O	R1040	NRSA63J-124X	MG RESISTOR	120K	
			O	R1041	NRSA63J-563X	MG RESISTOR	56K	
			O	R1042	NRSA63J-563X	MG RESISTOR	56K	
			O	R1043	NRSA63J-473X	MG RESISTOR	47K	
			O	R1047	NRSA63J-473X	MG RESISTOR	47K	
			O	R1048	NRSA63J-103X	MG RESISTOR	10K	
			O	R1060	NRSA63J-473X	MG RESISTOR	47K	
			O	R1061	NRSA63J-102X	MG RESISTOR	1K	
			O	R1062	NRSA63J-221X	MG RESISTOR	220	
			O	R1063	NRSA63J-221X	MG RESISTOR	220	
			O	R1064	NRSA63J-123X	MG RESISTOR	12K	
			O	R1065	NRSA63J-102X	MG RESISTOR	1K	
			O	R1066	NRSA63J-103X	MG RESISTOR	10K	
			O	R1067	NRSA63J-102X	MG RESISTOR	1K	
			O	R1068	NRSA63J-103X	MG RESISTOR	10K	
			O	R1069	NRSA63J-473X	MG RESISTOR	47K	
			O	R1070	NRSA63J-473X	MG RESISTOR	47K	
			O	R1071	NRSA63J-473X	MG RESISTOR	47K	
			O	R1072	NRSA63J-473X	MG RESISTOR	47K	
			O	R1073	NRSA63J-473X	MG RESISTOR	47K	
			O	R1074	NRSA63J-473X	MG RESISTOR	47K	
			O	R1075	NRSA63J-473X	MG RESISTOR	47K	
			O	RA701	NRSA63J-473X	MG RESISTOR	47K	
			O	RA702	NRSA63J-473X	MG RESISTOR	47K	
			O	RA703	NRSA63J-473X	MG RESISTOR	47K	
			O	RA704	NRSA63J-473X	MG RESISTOR	47K	
			O	RA705	NRSA63J-473X	MG RESISTOR	47K	
			O	RA706	NRSA63J-473X	MG RESISTOR	47K	
			O	RA707	NRSA63J-473X	MG RESISTOR	47K	
			O	RA708	NRSA63J-473X	MG RESISTOR	47K	


MX-K30/MX-K10 FRONT DISPLAY UICOM SELECTION

Item		PWB TOP	PWB BOTTOM	Item Location	Parts number	Parts name	Remarks Value	Area
			O	RA709	NRSA63J-473X	MG RESISTOR	47K	
			O	RA710	NRSA63J-473X	MG RESISTOR	47K	
			O	RA711	NRSA63J-473X	MG RESISTOR	47K	
			O	RA712	NRSA63J-473X	MG RESISTOR	47K	
			O	RA713	NRSA63J-473X	MG RESISTOR	47K	
			O	RA714	NRSA63J-473X	MG RESISTOR	47K	
			O	RA715	NRSA63J-473X	MG RESISTOR	47K	
			O	RA716	NRSA63J-473X	MG RESISTOR	47K	
			O	RA717	NRSA63J-473X	MG RESISTOR	47K	
			O	RA718	NRSA63J-473X	MG RESISTOR	47K	
			O	RA719	NRSA63J-473X	MG RESISTOR	47K	
			O	RA720	NRSA63J-473X	MG RESISTOR	47K	
			O	RA721	NRSA63J-473X	MG RESISTOR	47K	
			O	RA722	NRSA63J-473X	MG RESISTOR	47K	
			O	RA723	NRSA63J-473X	MG RESISTOR	47K	
			O	RA724	NRSA63J-473X	MG RESISTOR	47K	
			O	RA725	NRSA63J-473X	MG RESISTOR	47K	
			O	RA726	NRSA63J-473X	MG RESISTOR	47K	
			O	RA727	NRSA63J-473X	MG RESISTOR	47K	
			O	RA728	NRSA63J-473X	MG RESISTOR	47K	
			O	RA729	NRSA63J-473X	MG RESISTOR	47K	
		POWER		S1001	8EVQ21405P0154	TACT SWITCH	EVQ21405R	
		TAPE		S1002	8EVQ21405P0154	TACT SWITCH	EVQ21405R	
		AUX		S1003	8EVQ21405P0154	TACT SWITCH	EVQ21405R	
		BAND		S1004	8EVQ21405P0154	TACT SWITCH	EVQ21405R	
		SET		S1006	8EVQ21405P0154	TACT SWITCH	EVQ21405R	
		CD		S1007	8EVQ21405P0154	TACT SWITCH	EVQ21405R	
		CD1		S1008	8EVQ21405P0154	TACT SWITCH	EVQ21405R	
		CD2		S1009	8EVQ21405P0154	TACT SWITCH	EVQ21405R	
		CD3		S1010	8EVQ21405P0154	TACT SWITCH	EVQ21405R	
		EJECT		S1011	8EVQ21405P0154	TACT SWITCH	EVQ21405R	
		DISC		S1012	8EVQ21405P0154	TACT SWITCH	EVQ21405R	
		DECAB		S1013	8EVQ21405P0154	TACT SWITCH	EVQ21405R	
		TM/CK		S1014	8EVQ21405P0154	TACT SWITCH	EVQ21405R	
		STOP		S1015	8EVQ21405P0154	TACT SWITCH	EVQ21405R	
		TUN-		S1016	8EVQ21405P0154	TACT SWITCH	EVQ21405R	
		TUN+		S1017	8EVQ21405P0154	TACT SWITCH	EVQ21405R	
		PRE-		S1018	8EVQ21405P0154	TACT SWITCH	EVQ21405R	
		PRE+		S1019	8EVQ21405P0154	TACT SWITCH	EVQ21405R	
		ROCK		S1020	8EVQ21405P0154	TACT SWITCH	EVQ21405R	
		CLAS		S1021	8EVQ21405P0154	TACT SWITCH	EVQ21405R	
		POP		S1022	8EVQ21405P0154	TACT SWITCH	EVQ21405R	
		ABASS		S1023	8EVQ21405P0154	TACT SWITCH	EVQ21405R	
		ECO		S1024	8EVQ21405P0154	TACT SWITCH	EVQ21405R	
		REC		S1025	8EVQ21405P0154	TACT SWITCH	EVQ21405R	
		DUB		S1026	8EVQ21405P0154	TACT SWITCH	EVQ21405R	
		CDREC		S1027	8EVQ21405P0154	TACT SWITCH	EVQ21405R	
		REPEA		S1028	8EVQ21405P0154	TACT SWITCH	EVQ21405R	
		PRO		S1029	8EVQ21405P0154	TACT SWITCH	EVQ21405R	
		RON		S1030	8EVQ21405P0154	TACT SWITCH	EVQ21405R	
		D.PLAY		S1031	8EVQ21405P0154	TACT SWITCH	EVQ21405R	
		PYEON		S1032	8EVQ21405P0154	TACT SWITCH	EVQ21405R	
		SEL+		S1033	8EVQ21405P0154	TACT SWITCH	EVQ21405R	
		SEL-		S1034	8EVQ21405P0154	TACT SWITCH	EVQ21405R	
		V+/-		W1001	804221	JOE SWITCH	PVB20FHIN	
		O		X701	29ZTA8.0MP0151	CER. RESONATOR	8.0MHz	
		O		X702	2101012	CRYSTAL	32.768KHz	
		O		-----	202267010101	HOLDER VFD	SPTE THK=0.3mm	
		O		-----	301773010101	TAPE T=1.0mm	EVA	
		----		-----	251099G01V	THK=1.6mm 94V0	Front Comb. PWB	

Electrical parts list (MX-K10/K30 Tuner selection)

⚠	PWB TOP	PWB BOTTOM	Item Location	Parts number	Parts name	Remarks Value	Area
		O	C701	NCB31EK-104X	C CAPACITOR	0.1	
	O		C702	QETM0JM-227	E CAPACITOR	220/6.3V	
	O		C703	QETM0JM-227	E CAPACITOR	220/6.3V	
	O		C704	QETM0JM-227	E CAPACITOR	220/6.3V	
		O	C705	NCB31HK-102X	C CAPACITOR	0.001	
		O	C706	NCB31HK-102X	C CAPACITOR	0.001	
		O	C707	NDC31HJ-390X	C CAPACITOR	39P	
		O	C708	NDC31HJ-330X	C CAPACITOR	33P	
		O	C709	NDC31HJ-220X	C CAPACITOR	22P	
		O	C710	NDC31HJ-220X	C CAPACITOR	22P	
		O	C711	NDC31HJ-220X	C CAPACITOR	22P	
		O	C712	NDC31HJ-220X	C CAPACITOR	22P	
		O	C713	NCB31EK-104X	C CAPACITOR	0.1	
		O	C714	NCB31HK-103X	C CAPACITOR	0.01	
		O	C715	NCB31HK-102X	C CAPACITOR	0.001	
	O		C716	QETM1AM-476	E CAPACITOR	47/10V	
		O	C717	NCB31EK-104X	C CAPACITOR	0.1	
	O		C718	QETM1HM-226	E CAPACITOR	22uF/50V	
	O		C719	QETM1HM-226	E CAPACITOR	22uF/50V	
		O	C720	NDC31HJ-151X	C CAPACITOR	150P	
		O	C721	NDC31HJ-151X	C CAPACITOR	150P	
	O		C723	QETM1HM-105	E CAPACITOR	1uF/50V	
		O	C740	NDC31HJ-101X	C CAPACITOR	100P	
	O		C1001	NCB31HK-103X	C CAPACITOR	0.01	
	O		C1002	NCB31HK-103X	C CAPACITOR	0.01	
	O		CN701	12S110021	FFC CONNECTOR	11P H 1.25mm	
	O		CN702	12S210005	FFC CONNECTOR	21P H 1.25mm	
	O		CN703	12S220005	FFC CONNECTOR	22P H 1.25mm	
	O		D701	11ES2-T4	SI DIODE	1SS133	
	O		D702	11ES2-T4	SI DIODE	1SS133	
	O		D703	11ES2-T4	SI DIODE	1SS133	
	O		D705	11ES2-T4	SI DIODE	1SS133	
	O		FL701	2701601	FL DISPLAY	BJ828GNK	
	O		FW701	1204091	CONN. WIRE	10PIN FLAT CABLE	
	O		FW702	1203941	CONN. WIRE	3PIN FLAT CABLE	
	O		FW703	1203931	CONN. WIRE	3PIN FLAT CABLE	
		O	IC701	113171	IC	MN101C35D	
	O		IC702	RPM6938-SV4	IR.UNIT IC	RPM6938-V4	
	O		JK1	NIL	MIC JACK	NO MOUNT	
		O	JR701	NRSA63J-0R0X	MG RESISTOR	0	
		O	JR702	NRSA63J-0R0X	MG RESISTOR	0	
		O	JR749	NRSA63J-0R0X	MG RESISTOR	0	
	O		L701	26220000KN0024	FIXED INDUCTOR	22uH	
	O		L702	26100000KM0024	FIXED INDUCTOR	10uH	
	O		L703	18A843556N0002	F-BEAD F.B	843556	
	O		L707	26100000KM0024	FIXED INDUCTOR	10uH	
	O		D100	28B4531EP0110	RED LED	BL-B4531E	
	O		Q701	2KTC3199GP0008	TRANSISTOR	KTC3199GR	
	O		Q702	2KTC3199GP0008	TRANSISTOR	KTC3199GR	
	O		Q703	2KTC3199GP0008	TRANSISTOR	KTC3199GR	
	O		Q704	2KTC3195YP0008	TRANSISTOR	KTC3195Y	
	O		Q705	2KTC3195YP0008	TRANSISTOR	KTC3195Y	
	O		Q707	DTC114YSA-T	D.TRANSISTOR	DTC114YS	
	O		Q711	KRA102M-T	D.TRANSISTOR	KRA102M	
	O		Q712	KRA102M-T	D.TRANSISTOR	KRA102M	
	O		Q713	DTC114YSA-T	D.TRANSISTOR	DTC114YS	
	O		Q714	2KTC3199GP0008	TRANSISTOR	KTC3199GR	


Electrical parts list (MX-K10/K30 Tuner selection)

	PWB TOP	PWB BOTTOM	Item Location	Parts number	Parts name	Remarks Value	Area
	O		Q715	2KTC3199GP0008	TRANSISTOR	KTC3199GR	
		O	R701	NRSA63J-473X	MG RESISTOR	47K	
		O	R702	NRSA63J-473X	MG RESISTOR	47K	
		O	R703	NRSA63J-473X	MG RESISTOR	47K	
		O	R704	NRSA63J-103X	MG RESISTOR	10K	
		O	R705	NRSA63J-103X	MG RESISTOR	10K	
		O	R706	NRSA63J-103X	MG RESISTOR	10K	
		O	R707	NRSA63J-102X	MG RESISTOR	1K	
		O	R708	NRSA63J-103X	MG RESISTOR	10K	
		O	R709	NRSA63J-102X	MG RESISTOR	1K	
		O	R710	NRSA63J-102X	MG RESISTOR	1K	
		O	R711	NRSA63J-102X	MG RESISTOR	1K	
		O	R712	NRSA63J-102X	MG RESISTOR	1K	
		O	R713	NRSA63J-473X	MG RESISTOR	47K	
		O	R714	NRSA63J-222X	MG RESISTOR	2.2K	
		O	R715	NRSA63J-473X	MG RESISTOR	47K	
		O	R716	NRSA63J-222X	MG RESISTOR	2.2K	
		O	R717	NRSA63J-102X	MG RESISTOR	1K	
		O	R718	NRSA63J-473X	MG RESISTOR	47K	
		O	R719	NRSA63J-222X	MG RESISTOR	2.2K	
		O	R720	NRSA63J-102X	MG RESISTOR	1K	
		O	R721	NRSA63J-102X	MG RESISTOR	1K	
		O	R722	NRSA63J-102X	MG RESISTOR	1K	
		O	R723	NRSA63J-221X	MG RESISTOR	220	
		O	R724	NRSA63J-102X	MG RESISTOR	1K	
		O	R725	NRSA63J-331X	MG RESISTOR	330	
		O	R726	NRSA63J-103X	MG RESISTOR	10K	
		O	R727	NRSA63J-102X	MG RESISTOR	1K	
		O	R728	NRSA63J-102X	MG RESISTOR	1K	
		O	R729	NRSA63J-102X	MG RESISTOR	1K	
		O	R730	NRSA63J-102X	MG RESISTOR	1K	
		O	R731	NRSA63J-102X	MG RESISTOR	1K	
		O	R732	NRSA63J-102X	MG RESISTOR	1K	
		O	R733	NRSA63J-472X	MG RESISTOR	4.7K	
		O	R734	NRSA63J-472X	MG RESISTOR	4.7K	
		O	R736	NRSA63J-101X	MG RESISTOR	100	
		O	R737	NRSA63J-101X	MG RESISTOR	100	
		O	R738	NRSA63J-221X	MG RESISTOR	220	
		O	R739	NRSA63J-221X	MG RESISTOR	220	
		O	R740	NRSA63J-221X	MG RESISTOR	220	
		O	R741	NRSA63J-331X	MG RESISTOR	330	
		O	R742	NRSA63J-222X	MG RESISTOR	2.2K	
		O	R743	NRSA63J-222X	MG RESISTOR	2.2K	
		O	R744	NRSA63J-221X	MG RESISTOR	220	
		O	R745	NRSA63J-222X	MG RESISTOR	2.2K	
		O	R746	NRSA63J-222X	MG RESISTOR	2.2K	
		O	R747	NRSA63J-222X	MG RESISTOR	2.2K	
		O	R748	NRSA63J-222X	MG RESISTOR	2.2K	
		O	R749	NRSA63J-472X	MG RESISTOR	4.7K	
		O	R750	NRSA63J-472X	MG RESISTOR	4.7K	
		O	R751	NRSA63J-472X	MG RESISTOR	4.7K	
		O	R752	NRSA63J-472X	MG RESISTOR	4.7K	
		O	R753	NRSA63J-222X	MG RESISTOR	2.2K	
		O	R754	NRSA63J-222X	MG RESISTOR	2.2K	
		O	R755	NRSA63J-222X	MG RESISTOR	2.2K	
		O	R756	NRSA63J-222X	MG RESISTOR	2.2K	
		O	R757	NRSA63J-102X	MG RESISTOR	1K	

Electrical parts list (MX-K10/K30 Tuner selection)

⚠	PWB TOP	PWB BOTTOM	Item Location	Parts number	Parts name	Remarks Value	Area
		O	R758	NRSA63J-222X	MG RESISTOR	2.2K	
		O	R759	NRSA63J-2R2X	MG RESISTOR	2.2	
		O	R760	NRSA63J-2R2X	MG RESISTOR	2.2	
		O	R761	NRSA63J-473X	MG RESISTOR	47K	
		O	R768	NRSA63J-104X	MG RESISTOR	100K	
		O	R769	NRSA63J-102X	MG RESISTOR	1K	
		O	R770	NRSA63J-222X	MG RESISTOR	2.2K	
		O	R771	NRSA63J-221X	MG RESISTOR	220	
		O	R772	NRSA63J-222X	MG RESISTOR	2.2K	
		O	R773	NRSA63J-222X	MG RESISTOR	2.2K	
		O	R774	NRSA63J-182X	MG RESISTOR	1.8K	
		O	R775	NRSA63J-102X	MG RESISTOR	1K	
		O	R776	NRSA63J-103X	MG RESISTOR	10K	
		O	R777	NRSA63J-473X	MG RESISTOR	47K	
		O	R778	NRSA63J-102X	MG RESISTOR	1K	
		O	R779	NRSA63J-103X	MG RESISTOR	10K	
		O	R780	NRSA63J-222X	MG RESISTOR	2.2K	
		O	R781	NRSA63J-102X	MG RESISTOR	1K	
		O	R782	NRSA63J-222X	MG RESISTOR	2.2K	
		O	R783	NRSA63J-473X	MG RESISTOR	47K	
		O	R784	NRSA63J-222X	MG RESISTOR	2.2K	
		O	R785	NRSA63J-222X	MG RESISTOR	2.2K	
		O	R786	NRSA63J-103X	MG RESISTOR	10K	
		O	R787	NRSA63J-103X	MG RESISTOR	10K	
		O	R788	NRSA63J-102X	MG RESISTOR	1K	
		O	R789	NRSA63J-222X	MG RESISTOR	2.2K	
		O	R790	NRSA63J-102X	MG RESISTOR	1K	
		O	R791	NRSA63J-101X	MG RESISTOR	100	
		O	R792	NRSA63J-331X	MG RESISTOR	330	
		O	R1001	NRSA63J-681X	MG RESISTOR	680	
		O	R1002	NRSA63J-681X	MG RESISTOR	680	
		O	R1003	NRSA63J-821X	MG RESISTOR	820	
		O	R1004	NRSA63J-102X	MG RESISTOR	1K	
		O	R1005	NRSA63J-152X	MG RESISTOR	1.5K	
		O	R1008	NRSA63J-681X	MG RESISTOR	680	
		O	R1009	NRSA63J-681X	MG RESISTOR	680	
		O	R1010	NRSA63J-681X	MG RESISTOR	680	
		O	R1011	NRSA63J-821X	MG RESISTOR	820	
		O	R1012	NRSA63J-102X	MG RESISTOR	1K	
		O	R1013	NRSA63J-152X	MG RESISTOR	1.5K	
		O	R1014	NRSA63J-222X	MG RESISTOR	2.2K	
		O	R1015	NRSA63J-272X	MG RESISTOR	2.7K	
		O	R1017	NRSA63J-681X	MG RESISTOR	680	
		O	R1018	NRSA63J-681X	MG RESISTOR	680	
		O	R1019	NRSA63J-821X	MG RESISTOR	820	
		O	R1020	NRSA63J-102X	MG RESISTOR	1K	
		O	R1021	NRSA63J-152X	MG RESISTOR	1.5K	
		O	R1022	NRSA63J-222X	MG RESISTOR	2.2K	
		O	R1023	NRSA63J-272X	MG RESISTOR	2.7K	
		O	R1024	NRSA63J-562X	MG RESISTOR	5.6K	
		O	R1025	NRSA63J-123X	MG RESISTOR	12K	
		O	R1026	NRSA63J-681X	MG RESISTOR	680	
		O	R1027	NRSA63J-681X	MG RESISTOR	680	
		O	R1028	NRSA63J-821X	MG RESISTOR	820	
		O	R1029	NRSA63J-102X	MG RESISTOR	1K	
		O	R1030	NRSA63J-152X	MG RESISTOR	1.5K	
		O	R1037	NRSA63J-223X	MG RESISTOR	22K	


Electrical parts list (MX-K10/K30 Tuner selection)

	PWB TOP	PWB BOTTOM	Item Location	Parts number	Parts name	Remarks Value	Area
		O	R1038	NRSA63J-223X	MG RESISTOR	22K	
		O	R1039	NRSA63J-124X	MG RESISTOR	120K	
		O	R1040	NRSA63J-124X	MG RESISTOR	120K	
		O	R1041	NRSA63J-563X	MG RESISTOR	56K	
		O	R1042	NRSA63J-563X	MG RESISTOR	56K	
		O	R1043	NRSA63J-473X	MG RESISTOR	47K	
		O	R1047	NRSA63J-473X	MG RESISTOR	47K	
		O	R1048	NRSA63J-103X	MG RESISTOR	10K	
		O	R1060	NRSA63J-473X	MG RESISTOR	47K	
		O	R1061	NRSA63J-102X	MG RESISTOR	1K	
		O	R1062	NRSA63J-221X	MG RESISTOR	220	
		O	R1063	NRSA63J-221X	MG RESISTOR	220	
		O	R1064	NRSA63J-123X	MG RESISTOR	12K	
		O	R1065	NRSA63J-102X	MG RESISTOR	1K	
		O	R1066	NRSA63J-103X	MG RESISTOR	10K	
		O	R1067	NRSA63J-102X	MG RESISTOR	1K	
		O	R1068	NRSA63J-103X	MG RESISTOR	10K	
		O	R1069	NRSA63J-473X	MG RESISTOR	47K	
		O	R1070	NRSA63J-473X	MG RESISTOR	47K	
		O	R1071	NRSA63J-473X	MG RESISTOR	47K	
		O	R1072	NRSA63J-473X	MG RESISTOR	47K	
		O	R1073	NRSA63J-473X	MG RESISTOR	47K	
		O	R1074	NRSA63J-473X	MG RESISTOR	47K	
		O	R1075	NRSA63J-473X	MG RESISTOR	47K	
		O	RA701	NRSA63J-473X	MG RESISTOR	47K	
		O	RA702	NRSA63J-473X	MG RESISTOR	47K	
		O	RA703	NRSA63J-473X	MG RESISTOR	47K	
		O	RA704	NRSA63J-473X	MG RESISTOR	47K	
		O	RA705	NRSA63J-473X	MG RESISTOR	47K	
		O	RA706	NRSA63J-473X	MG RESISTOR	47K	
		O	RA707	NRSA63J-473X	MG RESISTOR	47K	
		O	RA708	NRSA63J-473X	MG RESISTOR	47K	
		O	RA709	NRSA63J-473X	MG RESISTOR	47K	
		O	RA710	NRSA63J-473X	MG RESISTOR	47K	
		O	RA711	NRSA63J-473X	MG RESISTOR	47K	
		O	RA712	NRSA63J-473X	MG RESISTOR	47K	
		O	RA713	NRSA63J-473X	MG RESISTOR	47K	
		O	RA714	NRSA63J-473X	MG RESISTOR	47K	
		O	RA715	NRSA63J-473X	MG RESISTOR	47K	
		O	RA716	NRSA63J-473X	MG RESISTOR	47K	
		O	RA717	NRSA63J-473X	MG RESISTOR	47K	
		O	RA718	NRSA63J-473X	MG RESISTOR	47K	
		O	RA719	NRSA63J-473X	MG RESISTOR	47K	
		O	RA720	NRSA63J-473X	MG RESISTOR	47K	
		O	RA721	NRSA63J-473X	MG RESISTOR	47K	
		O	RA722	NRSA63J-473X	MG RESISTOR	47K	
		O	RA723	NRSA63J-473X	MG RESISTOR	47K	
		O	RA724	NRSA63J-473X	MG RESISTOR	47K	
		O	RA725	NRSA63J-473X	MG RESISTOR	47K	
		O	RA726	NRSA63J-473X	MG RESISTOR	47K	
		O	RA727	NRSA63J-473X	MG RESISTOR	47K	
		O	RA728	NRSA63J-473X	MG RESISTOR	47K	
		O	RA729	NRSA63J-473X	MG RESISTOR	47K	
	POWER		S1001	8EVQ21405P0154	TACT SWITCH	EVQ21405R	
	TAPE		S1002	8EVQ21405P0154	TACT SWITCH	EVQ21405R	
	AUX		S1003	8EVQ21405P0154	TACT SWITCH	EVQ21405R	
	BAND		S1004	8EVQ21405P0154	TACT SWITCH	EVQ21405R	

Electrical parts list (MX-K10/K30 Tuner selection)

⚠	PWB TOP	PWB BOTTOM	Item Location	Parts number	Parts name	Remarks Value	Area
	CANCEL		S1005	8EVQ21405P0154	TACT SWITCH	EVQ21405R	
	SET		S1006	8EVQ21405P0154	TACT SWITCH	EVQ21405R	
	CD		S1007	8EVQ21405P0154	TACT SWITCH	EVQ21405R	
	CD1		S1008	8EVQ21405P0154	TACT SWITCH	EVQ21405R	
	CD2		S1009	8EVQ21405P0154	TACT SWITCH	EVQ21405R	
	CD3		S1010	8EVQ21405P0154	TACT SWITCH	EVQ21405R	
	EJECT		S1011	8EVQ21405P0154	TACT SWITCH	EVQ21405R	
	DISC		S1012	8EVQ21405P0154	TACT SWITCH	EVQ21405R	
	DECKAB		S1013	8EVQ21405P0154	TACT SWITCH	EVQ21405R	
	TIMCLK		S1014	8EVQ21405P0154	TACT SWITCH	EVQ21405R	
	STOP		S1015	8EVQ21405P0154	TACT SWITCH	EVQ21405R	
	TUN-		S1016	8EVQ21405P0154	TACT SWITCH	EVQ21405R	
	TUN+		S1017	8EVQ21405P0154	TACT SWITCH	EVQ21405R	
	PRESET-		S1018	8EVQ21405P0154	TACT SWITCH	EVQ21405R	
	PRESET+		S1019	8EVQ21405P0154	TACT SWITCH	EVQ21405R	
	ROCK		S1020	8EVQ21405P0154	TACT SWITCH	EVQ21405R	
	CLASSIC		S1021	8EVQ21405P0154	TACT SWITCH	EVQ21405R	
	POP		S1022	8EVQ21405P0154	TACT SWITCH	EVQ21405R	
	A.BASS		S1023	8EVQ21405P0154	TACT SWITCH	EVQ21405R	
	ECO		S1024	8EVQ21405P0154	TACT SWITCH	EVQ21405R	
	REC		S1025	8EVQ21405P0154	TACT SWITCH	EVQ21405R	
	DUBBIN		S1026	8EVQ21405P0154	TACT SWITCH	EVQ21405R	
	CD REC		S1027	8EVQ21405P0154	TACT SWITCH	EVQ21405R	
	REPEAT		S1028	8EVQ21405P0154	TACT SWITCH	EVQ21405R	
	PROGRAM		S1029	8EVQ21405P0154	TACT SWITCH	EVQ21405R	
	RANDOM		S1030	8EVQ21405P0154	TACT SWITCH	EVQ21405R	
	VOL+/-		W1001	804221	JOG SWITCH	PVB20FHIN	
	O		X701	29ZTA8.0MP0151	CER. RESONATOR	8.0MHz	
	O		X702	2101012	CRYSTAL	32.768KHz	
	O		-----	202267010101	HOLDER VFD	SPTE THK=0.3mm	
	O		-----	301773010101	TAPE T=1.0mm	EVA	
	----		-----	251099G01V	THK=1.6mm 94V0	Front Comb. PWB	


Electrical parts list (MX-K10/30 CD selection)

Item		PWB TOP	PWB BOTTOM	Item Location	Parts number	Parts name	Remarks Value	Area
1		O		BF601	18A843556N0002	F-BEAD	F-B 843556	
2			O	C601	NCB21CK-334X	C CAPACITOR	0.33	
3			O	C602	NCB31HK-222X	C CAPACITOR	2200P	
4			O	C603	NCB31HK-222X	C CAPACITOR	2200P	
5		O		C605	QETM1AM-227	E CAPACITOR	220uF	
6			O	C606	NCB31EK-104X	C CAPACITOR	0.1	
7			O	C607	NCB31HK-223X	C CAPACITOR	0.022	
8			O	C608	NCB31EK-104X	C CAPACITOR	0.1	
9			O	C609	NDC31HJ-471X	C CAPACITOR	470P	
10		O		C610	QETM1AM-227	E CAPACITOR	220uF	
11			O	C611	NCB31EK-104X	C CAPACITOR	0.1	
12			O	C612	NCB31HK-153X	C CAPACITOR	0.015	
13			O	C613	NCB31HK-223X	C CAPACITOR	0.022	
14			O	C614	NCB21CK-154X	C CAPACITOR	0.15	
15			O	C615	NCB21AK-105X	C CAPACITOR	1uF	
16			O	C616	NDC31HJ-150X	C CAPACITOR	15P	
17			O	C617	NDC31HJ-150X	C CAPACITOR	15P	
18		O		C618	QETM1HM-106	E CAPACITOR	10uF	
19			O	C619	NCB31EK-104X	C CAPACITOR	0.1	
20			O	C620	NCB31EK-104X	C CAPACITOR	0.1	
21		O		C621	QETM1AM-227	E CAPACITOR	220uF	
22		O		C622	QETM1CM-106	E CAPACITOR	10uF	
23			O	C623	NIL		NO MOUNT	
24		O		C624	QETM1AM-476	E CAPACITOR	47uF	
25			O	C626	NCB31EK-104X	C CAPACITOR	0.1	
26			O	C627	NDC31HJ-330X	C CAPACITOR	33P	
27			O	C628	NCB31EK-393X	C CAPACITOR	0.039	
28			O	C629	NCB31EK-473X	C CAPACITOR	0.047	
29			O	C630	NCB31HK-222X	C CAPACITOR	2200P	
30		O		C631	QETM1AM-227	E CAPACITOR	220uF	
31			O	C632	NCB31EK-473X	C CAPACITOR	0.047	
32			O	C633	NCB31HK-152X	C CAPACITOR	1500P	
33			O	C634	NCB31EK-472X	C CAPACITOR	4700P	
34			O	C635	NCB31CK-104X	C CAPACITOR	0.1	
35			O	C637	NCB31AK-474X	C CAPACITOR	0.47	
36			O	C638	NCB31EK-104X	C CAPACITOR	0.1	
37		O		C639	QETM1AM-107	E CAPACITOR	100uF	
38			O	C640	NCB31HK-223X	C CAPACITOR	0.022	
39			O	C641	NIL		NO MOUNT	
40			O	C642	NDC31HJ-100X	C CAPACITOR	10P	
41			O	C643	NDC31HJ-101X	C CAPACITOR	100P	
42			O	C644	NCB31HK-223X	C CAPACITOR	0.022	
43			O	C645	NCB31HK-223X	C CAPACITOR	0.022	
44			O	C646	NCB31HK-272X	C CAPACITOR	2700P	
45			O	C647	NCB31HK-272X	C CAPACITOR	2700P	
46			O	C648	NCB31HK-223X	C CAPACITOR	0.022	
47		O		C649	QETM1HM-106	E CAPACITOR	10uF	
48		O		C650	QETM1AM-227	E CAPACITOR	220uF	
49			O	C651	NCB31HK-223X	C CAPACITOR	0.022	
50			O	C652	NDC31HJ-391X	C CAPACITOR	390P	
51			O	C653	NDC31HJ-391X	C CAPACITOR	390P	
52			O	C654	NCB31HK-682X	C CAPACITOR	0.0068	
53			O	C655	NCB31EK-472X	C CAPACITOR	0.0047	
54			O	C658	NDC31HJ-391X	C CAPACITOR	390P	
55			O	C659	NDC31HJ-391X	C CAPACITOR	390P	
56			O	C660	NCB31HK-102X	C CAPACITOR	1000P	
57			O	C661	NCB31HK-102X	C CAPACITOR	1000P	


Electrical parts list (MX-K10/30 CD selection)

Item	⚠	PWB TOP	PWB BOTTOM	Item Location	Parts number	Parts name	Remarks Value	Area
58			O	C662	NIL		NO MOUNT	
59			O	C663	NIL		NO MOUNT	
60		O		C664	QETM1HM-105	E CAPACITOR	1uF/50V	
61		O		C666	NIL		NO MOUNT	
62		O		C667	NIL		NO MOUNT	
63			O	C673	NDC31HJ-101X	C CAPACITOR	100P	
64			O	C674	NIL		NO MOUNT	
65		O		CN601	12S150020	FFC CONNECTOR	15P 1.0mm	
66		O		CN602	12S600961	CONNECTOR	6P 2.0mm	
67		O		CN604	12S600961	CONNECTOR	6P 2.0mm	
68		O		CN606	12S800421	FFC CONNECTOR	8P 1.25mm	
69		O		CN607	12S220006	FFC CONNECTOR	22P 1.25mm	
70		O		N603A	12S30039	CONNECTOR	3P 2.0mm	
71		O		N603B	12S600961	CONNECTOR	6P 2.0mm	
72		O		D601	11ES2-T4	SI DIODE	1SS133	
73		O		D602	11ES2-T4	SI DIODE	1SS133	
74		O		D603	NIL		NO MOUNT	
75		O		D604	NIL		NO MOUNT	
76		O		D605	31N40011	SI DIODE	1N4001	
77		O		D606	31N40011	SI DIODE	1N4001	
78		O		D607	31N40011	SI DIODE	1N4001	
79		O		D608	11ES2-T4	SI DIODE	1SS133	
80		O		D609	11ES2-T4	SI DIODE	1SS133	
81		O		D610	11ES2-T4	SI DIODE	1SS133	
82		O		D611	11ES2-T4	SI DIODE	1SS133	
83			O	IC601	MN662748RPM	IC	MN662748RPM	
84			O	IC611	AN22000A	IC	AN22000A	
85			O	IC621	113141	IC	BA5936S	
86			O	JR601	NRSA63J-0R0X	MG RESISTOR	0	
87			O	JR602	NRSA63J-0R0X	MG RESISTOR	0	
88			O	JR603	NRSA63J-0R0X	MG RESISTOR	0	
89			O	JR604	NRSA63J-0R0X	MG RESISTOR	0	
90			O	JR605	NRSA63J-0R0X	MG RESISTOR	0	
91			O	JR606	NRSA63J-0R0X	MG RESISTOR	0	
			O	JR607	NRSA63J-0R0X	MG RESISTOR	0	
92			O	JR608	NRSA63J-0R0X	MG RESISTOR	0	
93		O		L601	26100000KM0024	FIXED INDUCTOR	10uH	
94		O		Q601	2KTA1267GP0008	TRANSISTOR	KTA1267GR	
95		O		Q602	DTC114YSA-T	D.TRANSISTOR	DTC114YS	
96		O		Q603	NIL		NO MOUNT	
97		O		Q604	2SA933/RS/-T	TRANSISTOR	2SA933S	
98			O	R601	NRSA63J-272X	MG RESISTOR	2.7K	
99			O	R602	NRSA63J-121X	MG RESISTOR	120	
100			O	R603	NRSA63J-102X	MG RESISTOR	1K	
101			O	R604	NRSA63J-102X	MG RESISTOR	1K	
102			O	R605	NRSA63J-221X	MG RESISTOR	220	
103			O	R606	NIL		NO MOUNT	
104			O	R607	NRSA63J-393X	MG RESISTOR	39K	
105			O	R608	NRSA63J-272X	MG RESISTOR	2.7K	
106			O	R609	NRSA63J-393X	MG RESISTOR	39K	
107			O	R611	NRSA63J-103X	MG RESISTOR	10K	
108			O	R614	NRSA63J-102X	MG RESISTOR	1K	
109			O	R615	NRSA63J-683X	MG RESISTOR	68K	
110			O	R616	NRSA63J-102X	MG RESISTOR	1K	
111			O	R617	NRSA63J-105X	MG RESISTOR	1M	
112			O	R618	NRSA63J-393X	MG RESISTOR	39K	
113			O	R619	NRSA63J-101X	MG RESISTOR	100	


Electrical parts list (MX-K10/30 CD selection)

Item		PWB TOP	PWB BOTTOM	Item Location	Parts number	Parts name	Remarks Value	Area
114			O	R620	NIL		NO MOUNT	
115			O	R621	NRSA63J-683X	MG RESISTOR	68K	
116			O	R622	NRSA63J-683X	MG RESISTOR	68K	
117			O	R623	NRSA63J-104X	MG RESISTOR	100K	
118			O	R624	NRSA63J-155X	MG RESISTOR	1.5M	
119			O	R625	NRSA63J-331X	MG RESISTOR	330	
120			O	R626	NRSA63J-564X	MG RESISTOR	560K	
121			O	R627	NIL		NO MOUNT	
122			O	R628	NRSA63J-562X	MG RESISTOR	5.6K	
123			O	R629	NRSA63J-103X	MG RESISTOR	10K	
124			O	R630	NRSA63J-103X	MG RESISTOR	10K	
125			O	R631	NRSA63J-103X	MG RESISTOR	10K	
126			O	R632	NRSA63J-100X	MG RESISTOR	10	
127			O	R633	NRSA63J-100X	MG RESISTOR	10	
128			O	R634	NRSA63J-120X	MG RESISTOR	12	
129			O	R635	NRSA63J-393X	MG RESISTOR	39K	
130			O	R636	NRSA63J-223X	MG RESISTOR	22K	
131			O	R637	NRSA63J-222X	MG RESISTOR	2.2K	
132			O	R638	NRSA63J-332X	MG RESISTOR	3.3K	
133			O	R639	NRSA63J-682X	MG RESISTOR	6.8K	
134			O	R640	NRSA63J-682X	MG RESISTOR	6.8K	
135			O	R641	NRSA63J-0R0X	MG RESISTOR	0	
136			O	R642	NRSA63J-154X	MG RESISTOR	150K	
137			O	R643	NRSA63J-474X	MG RESISTOR	470K	
138			O	R644	NRSA63J-154X	MG RESISTOR	150K	
139			O	R645	NRSA63J-274X	MG RESISTOR	270K	
140			O	R646	NRSA63J-224X	MG RESISTOR	220K	
141			O	R647	NRSA63J-103X	MG RESISTOR	10K	
142			O	R648	NRSA63J-103X	MG RESISTOR	10K	
143			O	R649	NRSA02J-2R2X	MG RESISTOR	2.2	
144			O	R650	NRSA63J-472X	MG RESISTOR	4.7K	
145			O	R651	NRSA63J-273X	MG RESISTOR	27K	
146			O	R652	NRSA63J-122X	MG RESISTOR	1.2K	
147			O	R653	NRSA63J-122X	MG RESISTOR	1.2K	
148			O	R654	NRSA63J-123X	MG RESISTOR	12K	
149			O	R655	NRSA63J-243X	MG RESISTOR	24K	
150			O	R656	NRSA63J-272X	MG RESISTOR	2.7K	
151			O	R657	NRSA63J-392X	MG RESISTOR	3.9K	
152			O	R658	NIL		NO MOUNT	
153			O	R659	NRSA63J-104X	MG RESISTOR	100K	
154			O	R660	NRSA63J-103X	MG RESISTOR	10K	
155			O	R661	NIL		NO MOUNT	
156			O	R662	NRSA63J-562X	MG RESISTOR	5.6K	
157			O	R663	NRSA63J-562X	MG RESISTOR	5.6K	
158			O	R664	NRSA63J-333X	MG RESISTOR	33K	
159			O	R665	NRSA63J-223X	MG RESISTOR	22K	
160			O	R666	NRSA63J-102X	MG RESISTOR	1K	
161			O	R667	NRSA63J-333X	MG RESISTOR	33K	
162			O	R669	NRSA63J-271X	MG RESISTOR	270	
163			O	R670	NRSA63J-394X	MG RESISTOR	390K	
164			O	R671	NRSA63J-822X	MG RESISTOR	8.2K	
165			O	R672	NRSA63J-333X	MG RESISTOR	33K	
166			O	R673	NRSA63J-333X	MG RESISTOR	33K	
167			O	R675	NRSA63J-822X	MG RESISTOR	8.2K	
168		O		X601	2102361	CRYSTAL	16.9344MHz HC49U	
169				-----	251098G01V	THK=1.6mm PWB	CD PWB 2M	





Electrical parts list (K10 Main Amp Power)

Item		PWB TOP	PWB BOTTOM	Item Location	Parts number	Parts name	Remarks Value	Area
1			O	C41	NIL		NM	
2			O	C51	NIL		NM	
3			O	C101	NDC31HJ-101X	C CAPACITOR	100P	
4		O		C102	QETM1HM-105	E CAPACITOR	1U/50V	
5		O		C103	QETM1HM-105	E CAPACITOR	1U/50V	
6		O		C104	QETM1HM-105	E CAPACITOR	1U/50V	
7		O		C105	QETM1HM-105	E CAPACITOR	1U/50V	
8		O		C106	QETM1HM-475	E CAPACITOR	4.7/50V	
9		O		C107	QETM1HM-475	E CAPACITOR	4.7/50V	
10		O		C109	QETM1HM-475	E CAPACITOR	4.7/50V	
11		O		C110	QFV42AJ-823	MF CAPACITOR	0.082-M	
12		O		C111	QFV42AJ-823	MF CAPACITOR	0.082-M	
13		O		C112	QFLA2AJ-562	M CAPACITOR	5600P-M	
14		O		C113	QFV42AJ-124	MF CAPACITOR	0.12-M	
15		O		C114	QFV42AJ-104	MF CAPACITOR	0.1-M	
16		O		C115	QETM1AM-107	E CAPACITOR	100/10V	
17		O		C116	QETM1HM-105	E CAPACITOR	1U/50V	
18		O		C117	NIL	JUMPER WIRE	JW	
19		O		C118	QETM1HM-475	E CAPACITOR	4.7/50V	
20			O	C119	NDC31HJ-101X	C CAPACITOR	100P	
21			O	C120	NDC31HJ-101X	C CAPACITOR	100P	
22			O	C121	NDC31HJ-330X	C CAPACITOR	33P	
23		O		C122	QETM1HM-476	E CAPACITOR	47U/50V	
24		O		C123	QETM1HM-226	E CAPACITOR	22U/50V	
25		O		C124	QETM1HM-106	E CAPACITOR	10U/50V	
26		O		C125	QFV42AJ-104	MF CAPACITOR	0.1-M	
27		O		C126	QFV42AJ-104	MF CAPACITOR	0.1-M	
28		O		C128	QETM1HM-106	E CAPACITOR	10U/50V	
29		O		C201	NDC31HJ-101X	C CAPACITOR	100P	
30		O		C202	QETM1HM-105	E CAPACITOR	1U/50V	
31		O		C203	QETM1HM-105	E CAPACITOR	1U/50V	
32		O		C204	QETM1HM-105	E CAPACITOR	1U/50V	
33		O		C205	QETM1HM-105	E CAPACITOR	1U/50V	
34		O		C206	QETM1HM-475	E CAPACITOR	4.7/50V	
35		O		C207	QETM1HM-475	E CAPACITOR	4.7/50V	
36		O		C209	QETM1HM-475	E CAPACITOR	4.7/50V	
37		O		C210	QFV42AJ-823	MF CAPACITOR	0.082-M	
38		O		C211	QFV42AJ-823	MF CAPACITOR	0.082-M	
39		O		C212	QFLA2AJ-562	M CAPACITOR	5600P-M	
40		O		C213	QFV42AJ-124	MF CAPACITOR	0.12-M	
41		O		C214	QFV42AJ-104	MF CAPACITOR	0.1-M	
42		O		C215	QETM1AM-107	E CAPACITOR	100/10V	
43		O		C216	QETM1HM-105	E CAPACITOR	1U/50V	
44		O		C217	NIL	JUMPER WIRE	JW	
45		O		C218	QETM1HM-475	E CAPACITOR	4.7/50V	
46			O	C219	NDC31HJ-101X	C CAPACITOR	100P	
47			O	C220	NDC31HJ-101X	C CAPACITOR	100P	
48			O	C221	NDC31HJ-330X	C CAPACITOR	33P	
49		O		C222	QETM1HM-476	E CAPACITOR	47U/50V	
50		O		C223	QETM1HM-226	E CAPACITOR	22U/50V	
51		O		C225	QFV42AJ-104	MF CAPACITOR	0.1-M	
52		O		C226	QFV42AJ-104	MF CAPACITOR	0.1-M	
53			O	C301	NCB31HK-102X	C CAPACITOR	1000P	
54			O	C302	NIL		NM	
55		O		C303	QETM1HM-225	E CAPACITOR	2.2U/50V	
56			O	C304	NCB31HK-102X	C CAPACITOR	1000P	
57		O		C305	QETM1CM-107	E CAPACITOR	100U/16V	

Electrical parts list (K10 Main Amp Power)

Item		PWB TOP	PWB BOTTOM	Item Location	Parts number	Parts name	Remarks Value	Area
58		O		C306	QETM1AM-476	E CAPACITOR	47U/10V	
59			O	C307	NCB31HK-821X	C CAPACITOR	820P	
60		O		C308	QFV42AJ-153	MF CAPACITOR	0.015-M	
61			O	C309	NCB31HK-103X	C CAPACITOR	0.01U	
62		O		C310	QETM1CM-107	E CAPACITOR	100U/16V	
63		O		C311	QFV42AJ-103	MF CAPACITOR	0.01M	
64		O		C312	QFV42AJ-103	MF CAPACITOR	0.01M	
65			O	C313	NCB31HK-103X	C CAPACITOR	0.01U	
66			O	C314	NCB31HK-103X	C CAPACITOR	0.01U	
67			O	C315	NCB31HK-103X	C CAPACITOR	0.01U	
68			O	C316	NCB31HK-103X	C CAPACITOR	0.01U	
69		O		C317	QETM1CM-107	E CAPACITOR	100U/16V	
70		O		C318	QETM1HM-475	E CAPACITOR	4.7U/50V	
71		O		C319	QETL1CM-108	E CAPACITOR	1000/16V	
72			O	C320	NDC31HJ-151X	C CAPACITOR	150P	
73			O	C321	NDC31HJ-151X	C CAPACITOR	150P	
74			O	C322	NDC31HJ-151X	C CAPACITOR	150P	
75			O	C323	NCB31HK-103X	C CAPACITOR	0.01U	
76		O		C324	QETM1AM-107	E CAPACITOR	100/10V	
77		O		C325	QETM1HM-225	E CAPACITOR	2.2/50V	
78			O	C326	NCB31HK-103X	C CAPACITOR	0.01U	
79		O		C327	QETM1CM-106	E CAPACITOR	10/16V	
80		O		C328	QETM1CM-476	E CAPACITOR	47/16V	
81			O	C329	NCB31HK-103X	C CAPACITOR	0.01U	
82			O	C330	NDC31HJ-101X	C CAPACITOR	100P	
83		O		C331	QETM1AM-107	E CAPACITOR	100U/10V	
84		O		C332	QETM1CM-476	E CAPACITOR	47/16V	
85		O		C333	NIL		NM	
86		O		C334	QETM1HM-105	E CAPACITOR	1U/50V	
87		O		C335	QETM1HM-475	E CAPACITOR	4.7/50V	
88		O		C336	QETM1HM-105	E CAPACITOR	1U/50V	
89		O		C337	QETM1CM-476	E CAPACITOR	47/16V	
90			O	C338	NCB31HK-102X	C CAPACITOR	1000P	
91			O	C339	NCB31HK-103X	C CAPACITOR	0.01U	
92			O	C341	NCB31HK-103X	C CAPACITOR	0.01U	
93			O	C342	NCB31HK-103X	C CAPACITOR	0.01U	
94		O		C343	QETL1CM-108	E CAPACITOR	1000U/16V	
95			O	C345	NCB31HK-103X	C CAPACITOR	0.01U	
96		O		C346	QETM1CM-106	E CAPACITOR	10/16V	
97		O		C351	QETM1EM-106	E CAPACITOR	10U/25V	
98		O		C352	QETM1HM-105	E CAPACITOR	1U/50V	
99		O		C355	QETM1HM-225	E CAPACITOR	2.2U/25V	
100			O	C371	NCB31HK-103X	C CAPACITOR	0.01U	
101		O		C390	QETM1AM-227	E CAPACITOR	220/10V	
102			O	C401	NCB31HK-681X	C CAPACITOR	680P	
103			O	C402	NCB31HK-681X	C CAPACITOR	680P	
104			O	C403	NDC31HJ-330X	C CAPACITOR	33P	
105		O		C404	QFV42AJ-183	MF CAPACITOR	0.018-M	
106		O		C405	QETM1AM-107	E CAPACITOR	100/10V	
107		O		C407	QETM1HM-475	E CAPACITOR	4.7/50V	
108		O		C408	QETM1HM-475	E CAPACITOR	4.7/50V	
109			O	C409	NCB31HK-102X	C CAPACITOR	1000P	
110			O	C410	NCB31HK-332X	C CAPACITOR	3300P	
111		O		C411	QETM1EM-106	E CAPACITOR	10U/25V	
112		O		C412	NIL		NM	
113		O		C413	CH181500JM0130	C CAPACITOR	180P	
114			O	C414	NCB31HK-102X	C CAPACITOR	1000P	



Electrical parts list (K10 Main Amp Power)

Item		PWB TOP	PWB BOTTOM	Item Location	Parts number	Parts name	Remarks Value	Area
115		O		C415	QETM1HM-475	E CAPACITOR	4.7U/50V	
116			O	C417	NDC31HJ-471X	C CAPACITOR	470P	
117			O	C418	NCB31HK-222X	C CAPACITOR	2200P	
118			O	C501	NCB31HK-681X	C CAPACITOR	680P	
119			O	C502	NCB31HK-681X	C CAPACITOR	680P	
120			O	C503	NDC31HJ-330X	C CAPACITOR	33P	
121		O		C504	QFV42AJ-183	MF CAPACITOR	0.018-M	
122		O		C505	QETM1AM-107	E CAPACITOR	100/10V	
123		O		C507	QETM1HM-475	E CAPACITOR	4.7/50V	
124		O		C508	QETM1HM-475	E CAPACITOR	4.7/50V	
125			O	C509	NCB31HK-102X	C CAPACITOR	1000P	
126			O	C510	NCB31HK-332X	C CAPACITOR	3300P	
127		O		C511	QETM1EM-106	E CAPACITOR	10U/25V	
128		O		C512	NIL		NM	
129		O		C513	CH181500JM0130	C CAPACITOR	180P	
130			O	C514	NCB31HK-102X	C CAPACITOR	1000P	
131		O		C515	QETM1HM-475	E CAPACITOR	4.7U/50V	
132			O	C517	NDC31HJ-471X	C CAPACITOR	470P	
133			O	C518	NCB31HK-222X	C CAPACITOR	2200P	
134		O		C901	QFLA2AJ-682	M CAPACITOR	0.0068-M	
135		O		C902	QFLA2AJ-682	M CAPACITOR	0.0068-M	
136		O		C903	QFLA2AJ-682	M CAPACITOR	0.0068-M	
137		O		C904	QFLA2AJ-682	M CAPACITOR	0.0068-M	
138		O		C905	CE22850M2	E CAPACITOR	2200/50V	
139		O		C906	CE22850M2	E CAPACITOR	2200/50V	
140			O	C907	NCB21HJ-104X	C CAPACITOR	0.1	
141			O	C908	NCB21HJ-104X	C CAPACITOR	0.1	
142			O	C909	NCB21HJ-104X	C CAPACITOR	0.1	
143			O	C910	NCB21HJ-104X	C CAPACITOR	0.1	
144		O		C911	CE47825M0	E CAPACITOR	4700/25V	
145		O		C912	QETL1JM-476	E CAPACITOR	47/63V	
146		O		C913	QETM1HM-226	E CAPACITOR	22/50V	
147			O	C914	NCB31HK-103X	C CAPACITOR	0.01U	
148		O		C915	QETM1HM-226	E CAPACITOR	22/50V	
149		O		C916	QETM1EM-106	E CAPACITOR	10/25V	
150		O		C917	QETM1HM-225	E CAPACITOR	2.2/50V	
151			O	C918	NCB31HK-103X	C CAPACITOR	0.01U	
152		O		C919	QETM1AM-107	E CAPACITOR	100/10V	
153			O	C920	NCB21HJ-104X	C CAPACITOR	0.1	
154		O		C921	QETM1CM-107	E CAPACITOR	100/16V	
155		O		C922	QETM1EM-106	E CAPACITOR	10/25V	
156			O	C1051	NCB31HK-102X	C CAPACITOR	1000P	
157			O	C1052	NCB31HK-102X	C CAPACITOR	1000P	
158		O		CN101	12S501341	CONNECTOR	5P 2.5mm	
159		O		CN202	12S110020	FFC CONNECTOR	11P 1.25mm	
160		O		CN203	12S800421	FFC CONNECTOR	8P 1.25mm	
161		O		CN305	12S130027	FFC CONNECTOR	13P 1.25mm	
162		O		CN307	12S30039	CONNECTOR	3P 2.0mm	
163		O		CN308	12S80024	CONNECTOR	8P 2.0mm	
164		O		CN701	12S110020	FFC CONNECTOR	11P 1.25mm	
165		O		CN702	12S210004	FFC CONNECTOR	21P 1.25mm	
166		O		CN951	12P90047	FLAT CABLE ASSY	9P 2.5mm	
167		O		CN982	NIL		NM	
168		O		D101	31N40011	SI DIODE	1N4001	
169		O		D201	NIL	JUMPER WIRE	JW	
170		O		D304	11ES2-T4	SI DIODE	1SS133	
171		O		D305	NIL	JUMPER WIRE	JW	


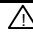
Electrical parts list (K10 Main Amp Power)

Item	⚠	PWB TOP	PWB BOTTOM	Item Location	Parts number	Parts name	Remarks Value	Area
172		O		D307	UZ5.1BSB	Z DIODE	MTZJ5.1B	
173		O		D308	11ES2-T4	SI DIODE	1SS133	
174		O		D309	11ES2-T4	SI DIODE	1SS133	
175		O		D310	11ES2-T4	SI DIODE	1SS133	
176		O		D311	11ES2-T4	SI DIODE	1SS133	
177		O		D312	11ES2-T4	SI DIODE	1SS133	
178		O		D313	11ES2-T4	SI DIODE	1SS133	
179		O		D314	11ES2-T4	SI DIODE	1SS133	
180		O		D321	11ES2-T4	SI DIODE	1SS133	
181		O		D322	11ES2-T4	SI DIODE	1SS133	
182		O		D323	31N40011	SI DIODE	1N4001	
183		O		D324	11ES2-T4	SI DIODE	1SS133	
184		O		D328	11ES2-T4	SI DIODE	1SS133	
185		O		D329	NIL		NM	
186		O		D330	NIL		NM	
187	⚠	O		D901	3RS402M1	BRIDGE DIODE	RS402M	
188	⚠	O		D902	31N40011	SI DIODE	1N4001	
189	⚠	O		D903	31N40011	SI DIODE	1N4001	
190	⚠	O		D904	31N40011	SI DIODE	1N4001	
191	⚠	O		D905	31N40011	SI DIODE	1N4001	
192		O		D906	31N40011	SI DIODE	1N4001	
193		O		D907	MTZJ33C-T77	Z DIODE	MTZJ33C	
194		O		D908	MTZ6.2JB	Z DIODE	MTZJ6.2B	
195		O		D909	11ES2-T4	SI DIODE	1SS133	
196		O		D910	MTZ6.2JB	Z DIODE	MTZJ6.2B	
197		O		D911	3MTZJ5.6AM0007	Z DIODE	MTZJ5.6A	
198		O		D912	MTZJ12C	Z DIODE	MTZJ12C	
199		O		D913	3MTZJ11BM0007	Z DIODE	MTZJ11B	
200		O		D915	MTZJ6.8B	Z DIODE	MTZJ6.8B	
201		O		W1051	12P50110	FLAT CABLE ASSY	5P 2.5mm	
202		O		W951	12S90023	CONNECTOR	9P 2.5mm	
203		O		FH951	201196010101	FUSE HOLDER	1P 5mm	
204		O		FH952	201196010101	FUSE HOLDER	1P 5mm	
205		O		J1053	23B0112	MINI JACK	MSJ-2000	
206	⚠	O		IC101	TDA7295	IC	TDA7295	
207			O	IC102	113241	IC	BA1521B	
208			O	IC103	113231	IC	TDA7440D	
209	⚠	O		IC201	TDA7295	IC	TDA7295	
210		O		IC401	TA8189N	IC	TA8189	
211		O		IC402	113221	IC	74HC4094	
212		O		J303	23F0251	SP 4P TERMINAL	MSP-103V-04	
213		O		D75	NIL	JUMPER WIRE	JW	
214		O		JA301	23B0931	RCA W/R JACK	MSP-242V3	
215			O	JR1	NRSA63J-0R0X	MG RESISTOR	0	
216			O	JR2	NRSA63J-0R0X	MG RESISTOR	0	
217			O	JR3	NRSA63J-0R0X	MG RESISTOR	0	
218			O	JR4	NRSA63J-0R0X	MG RESISTOR	0	
219			O	JR5	NRSA63J-0R0X	MG RESISTOR	0	
220			O	JR6	NRS181J-0R0X	MG RESISTOR	0	
221			O	JR7	NRSA63J-0R0X	MG RESISTOR	0	
222			O	JR8	NRSA63J-0R0X	MG RESISTOR	0	
223			O	JR9	NRSA63J-0R0X	MG RESISTOR	0	
224			O	JR10	NRSA63J-0R0X	MG RESISTOR	0	
225			O	JR11	NRSA63J-0R0X	MG RESISTOR	0	
226			O	JR12	NRSA63J-0R0X	MG RESISTOR	0	
227			O	JR13	NRSA63J-0R0X	MG RESISTOR	0	
228			O	JR14	NRSA63J-0R0X	MG RESISTOR	0	


Electrical parts list (K10 Main Amp Power)

Item		PWB TOP	PWB BOTTOM	Item Location	Parts number	Parts name	Remarks Value	Area
229			O	JR15	NRS181J-0R0X	MG RESISTOR	0	
230		O		L101	2600702	CHOCK COIL	1uH	
231		O		L201	2600702	CHOCK COIL	1uH	
232		O		L301	605071	BIAS-COIL	864306	
233		O		L302	NIL	JUMPER WIRE	JW	
234		O		L303	NIL	JUMPER WIRE	JW	
235		O		L304	18A843556N0002	F-BEAD	F-B 843556	
236		O		L305	26100000KM0024	INDUCTOR	10uH	
237		O		L401	NIL	JUMPER WIRE	JW	
238		O		L501	NIL	JUMPER WIRE	JW	
239		O		L1051	26047000KM0024	INDUCTOR	4.7uH	
240		O		L1052	26047000KM0024	INDUCTOR	4.7uH	
241		O		L1053	18A843556N0002	F-BEAD	F-B 843556	
242		O		Q101	2KTC3199GP0008	TRANSISTOR	KTC3199GR	
243		O		Q103	2KTC3199GP0008	TRANSISTOR	KTC3199GR	
244		O		Q201	2KTC3199GP0008	TRANSISTOR	KTC3199GR	
245		O		Q203	2KTC3199GP0008	TRANSISTOR	KTC3199GR	
246		O		Q301	KRA107M-T	D.TRANSISTOR	KRA107M	
247		O		Q302	KTC3200GR	TRANSISTOR	KTC3200GR	
248		O		Q303	2KTC3203YP0008	TRANSISTOR	KTC3203Y	
249		O		Q304	2KTA1267GP0008	TRANSISTOR	KTA1267GR	
250		O		Q305	DTC144ESTP	D.TRANSISTOR	DTC144ES	
251		O		Q308	DTC144ESTP	D.TRANSISTOR	DTC144ES	
252		O		Q309	KTA1273/Y/-T	TRANSISTOR	KTA1273Y	
253		O		Q310	2KTC3199GP0008	TRANSISTOR	KTC3199GR	
254		O		Q311	KTA1273/Y/-T	TRANSISTOR	KTA1273Y	
255		O		Q312	2KTC3199GP0008	TRANSISTOR	KTC3199GR	
256		O		Q313	KTA1273/Y/-T	TRANSISTOR	KTA1273Y	
257		O		Q314	DTC114YSA-T	D.TRANSISTOR	DTC114YS	
258		O		Q315	2KTC3199GP0008	TRANSISTOR	KTC3199GR	
259		O		Q316	2KTC3199GP0008	TRANSISTOR	KTC3199GR	
260		O		Q317	2KTC3199GP0008	TRANSISTOR	KTC3199GR	
261		O		Q318	DTC114YSA-T	D.TRANSISTOR	DTC114YS	
262		O		Q319	2KTA1270YP0008	TRANSISTOR	KTA1270Y	
263		O		Q321	DTC114YSA-T	D.TRANSISTOR	DTC114YS	
264		O		Q322	KRA107M-T	D.TRANSISTOR	KRA107M	
265		O		Q323	KRA107M-T	D.TRANSISTOR	KRA107M	
266		O		Q324	KRA107M-T	D.TRANSISTOR	KRA107M	
267		O		Q325	DTC114YSA-T	D.TRANSISTOR	DTC114YS	
268		O		Q327	2KTA1267GP0008	TRANSISTOR	KTA1267GR	
269		O		Q335	KRA107M-T	D.TRANSISTOR	KRA107M	
270		O		Q401	2SD2144S/VW/-T	TRANSISTOR	2SD2144S	
271		O		Q402	2SD2144S/VW/-T	TRANSISTOR	2SD2144S	
272		O		Q403	2KTC3199GP0008	TRANSISTOR	KTC3199GR	
273		O		Q404	2KTC3199GP0008	TRANSISTOR	KTC3199GR	
274		O		Q405	2KTC3199GP0008	TRANSISTOR	KTC3199GR	
275		O		Q501	2SD2144S/VW/-T	TRANSISTOR	2SD2144S	
276		O		Q502	2SD2144S/VW/-T	TRANSISTOR	2SD2144S	
277		O		Q503	2KTC3199GP0008	TRANSISTOR	KTC3199GR	
278		O		Q504	2KTC3199GP0008	TRANSISTOR	KTC3199GR	
279		O		Q505	2KTC3199GP0008	TRANSISTOR	KTC3199GR	
280		O		Q901	2SA934RP0007	TRANSISTOR	2SA934R	
281		O		Q902	DTC114YSA-T	D.TRANSISTOR	DTC114YS	
282		O		Q903	DTC114YSA-T	D.TRANSISTOR	DTC114YS	
283		O		Q904	2KTB1366Y8	TRANSISTOR	KTB1366Y	
284		O		Q905	2KTC3199GP0008	TRANSISTOR	KTC3199GR	
285		O		Q906	2KTC3199GP0008	TRANSISTOR	KTC3199GR	


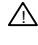
Electrical parts list (K10 Main Amp Power)

Item		PWB TOP	PWB BOTTOM	Item Location	Parts number	Parts name	Remarks Value	Area
286		O		Q907	2KTB1366Y8	TRANSISTOR	KTB1366Y	
287		O		Q908	2KTA1267GP0008	TRANSISTOR	KTA1267GR	
288		O		Q909	KRA107M-T	D.TRANSISTOR	KRA107M	
289		O		Q910	DTC114YSA-T	D.TRANSISTOR	DTC114YS	
290		O		Q911	2KTC3199GP0008	TRANSISTOR	KTC3199GR	
291		O		Q912	DTC114YSA-T	D.TRANSISTOR	DTC114YS	
292			O	R101	NRSA63J-393X	MG RESISTOR	39K	
293			O	R102	NRSA63J-682X	MG RESISTOR	6.8K	
294			O	R103	NRSA63J-222X	MG RESISTOR	2.2K	
295			O	R104	NRSA63J-222X	MG RESISTOR	2.2K	
296			O	R105	NRSA63J-154X	MG RESISTOR	150K	
297			O	R106	NRSA63J-562X	MG RESISTOR	5.6K	
298			O	R107	NRSA63J-0R0X	MG RESISTOR	0	
299			O	R108	NRSA63J-103X	MG RESISTOR	10K	
300			O	R109	NRSA63J-122X	MG RESISTOR	1.2K	
301			O	R110	NRSA63J-222X	MG RESISTOR	2.2K	
302			O	R111	NRSA63J-222X	MG RESISTOR	2.2K	
303			O	R112	NRSA63J-562X	MG RESISTOR	5.6K	
304			O	R113	NRSA63J-103X	MG RESISTOR	10K	
305			O	R114	NRSA63J-102X	MG RESISTOR	1K	
306			O	R115	NRSA63J-223X	MG RESISTOR	22K	
307			O	R116	NRSA63J-563X	MG RESISTOR	56K	
308			O	R117	NRSA63J-222X	MG RESISTOR	2.2K	
309			O	R118	NRSA63J-472X	MG RESISTOR	4.7K	
310			O	R119	NRSA63J-103X	MG RESISTOR	10K	
311			O	R120	NRSA63J-272X	MG RESISTOR	2.7K	
312			O	R121	NRSA63J-563X	MG RESISTOR	56K	
313			O	R122	NRSA63J-122X	MG RESISTOR	1.2K	
314			O	R123	NRSA63J-102X	MG RESISTOR	1K	
315			O	R124	NRSA63J-0R0X	MG RESISTOR	0	
316			O	R125	NRSA63J-102X	MG RESISTOR	1K	
317			O	R128	NRSA63J-220X	MG RESISTOR	22	
318			O	R129	NRSA63J-220X	MG RESISTOR	22	
319			O	R130	NRSA63J-220X	MG RESISTOR	22	
320			O	R131	NRSA63J-103X	MG RESISTOR	10K	
321		O		R138	QRE141J-681	C RESISTOR	680	
322			O	R150	NRSA63J-220X	MG RESISTOR	22	
323			O	R201	NRSA63J-393X	MG RESISTOR	39K	
324			O	R202	NRSA63J-682X	MG RESISTOR	6.8K	
325			O	R203	NRSA63J-222X	MG RESISTOR	2.2K	
326			O	R204	NRSA63J-222X	MG RESISTOR	2.2K	
327			O	R205	NRSA63J-154X	MG RESISTOR	150K	
328			O	R206	NRSA63J-562X	MG RESISTOR	5.6K	
329			O	R207	NRSA63J-0R0X	MG RESISTOR	0	
330			O	R208	NRSA63J-103X	MG RESISTOR	10K	
331			O	R209	NRSA63J-122X	MG RESISTOR	1.2K	
332			O	R210	NRSA63J-222X	MG RESISTOR	2.2K	
333			O	R211	NRSA63J-222X	MG RESISTOR	2.2K	
334			O	R212	NRSA63J-562X	MG RESISTOR	5.6K	
335			O	R213	NRSA63J-103X	MG RESISTOR	10K	
336			O	R214	NRSA63J-102X	MG RESISTOR	1K	
337			O	R215	NRSA63J-223X	MG RESISTOR	22K	
338			O	R216	NRSA63J-563X	MG RESISTOR	56K	
339			O	R217	NRSA63J-222X	MG RESISTOR	2.2K	
340			O	R218	NRSA63J-472X	MG RESISTOR	4.7K	
341			O	R219	NRSA63J-103X	MG RESISTOR	10K	
342			O	R220	NRSA63J-272X	MG RESISTOR	2.7K	


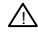


Electrical parts list (K10 Main Amp Power)

Item		PWB TOP	PWB BOTTOM	Item Location	Parts number	Parts name	Remarks Value	Area
343			O	R221	NRSA63J-563X	MG RESISTOR	56K	
344			O	R222	NRSA63J-122X	MG RESISTOR	1.2K	
345			O	R223	NRSA63J-102X	MG RESISTOR	1K	
346			O	R224	NRSA63J-0R0X	MG RESISTOR	0	
347			O	R225	NRSA63J-102X	MG RESISTOR	1K	
348			O	R226	NRSA63J-223X	MG RESISTOR	22K	
349			O	R227	NRSA63J-223X	MG RESISTOR	22K	
350			O	R228	NRSA63J-220X	MG RESISTOR	22	
351			O	R229	NRSA63J-220X	MG RESISTOR	22	
352			O	R230	NRSA63J-220X	MG RESISTOR	22	
353			O	R231	NRSA63J-103X	MG RESISTOR	10K	
354			O	R232	NIL		NM	
355		O		R238	QRE141J-681	C RESISTOR	680	
356			O	R250	NRSA63J-220X	MG RESISTOR	22	
357			O	R301	NRSA63J-102X	MG RESISTOR	1K	
358			O	R303	NRSA63J-102X	MG RESISTOR	1K	
359			O	R304	NRSA63J-331X	MG RESISTOR	330	
360			O	R305	NRSA63J-103X	MG RESISTOR	10K	
361			O	R306	NRSA63J-105X	MG RESISTOR	1M	
362			O	R307	NRSA63J-222X	MG RESISTOR	2.2K	
363			O	R308	NRSA63J-103X	MG RESISTOR	10K	
364			O	R309	NRSA63J-100X	MG RESISTOR	10	
365			O	R310	NRSA02J-390X	MG RESISTOR	39	
366			O	R311	NRSA63J-100X	MG RESISTOR	10	
367			O	R312	NRSA63J-102X	MG RESISTOR	1K	
368			O	R313	NRSA63J-471X	MG RESISTOR	470	
369			O	R314	NRSA63J-474X	MG RESISTOR	470K	
370			O	R316	NRSA63J-103X	MG RESISTOR	10K	
371			O	R317	NRSA63J-472X	MG RESISTOR	4.7K	
372			O	R319	NRSA63J-223X	MG RESISTOR	22K	
373			O	R320	NRSA63J-473X	MG RESISTOR	47K	
374			O	R321	NRSA63J-222X	MG RESISTOR	2.2K	
375			O	R322	NRSA63J-222X	MG RESISTOR	2.2K	
376			O	R323	NRSA63J-222X	MG RESISTOR	2.2K	
377			O	R324	NRSA63J-222X	MG RESISTOR	2.2K	
378			O	R325	NRSA63J-222X	MG RESISTOR	2.2K	
379			O	R327	NRSA63J-103X	MG RESISTOR	10K	
380			O	R328	NRSA63J-103X	MG RESISTOR	10K	
381			O	R329	NRSA63J-223X	MG RESISTOR	22K	
382			O	R330	NRSA63J-473X	MG RESISTOR	47K	
383			O	R331	NRSA63J-332X	MG RESISTOR	3.3K	
384			O	R332	NRSA63J-472X	MG RESISTOR	4.7K	
385			O	R333	NRSA63J-151X	MG RESISTOR	150	
386			O	R334	NRSA63J-332X	MG RESISTOR	3.3K	
387			O	R335	NRSA63J-472X	MG RESISTOR	4.7K	
388			O	R336	NRSA63J-151X	MG RESISTOR	150	
389			O	R337	NRSA63J-332X	MG RESISTOR	3.3K	
390			O	R338	NRSA63J-102X	MG RESISTOR	1K	
391			O	R339	NRSA63J-222X	MG RESISTOR	2.2K	
392			O	R340	NRSA63J-222X	MG RESISTOR	2.2K	
393			O	R341	NRSA63J-222X	MG RESISTOR	2.2K	
394			O	R344	NRSA63J-102X	MG RESISTOR	1K	
395			O	R345	NRSA63J-102X	MG RESISTOR	1K	
396			O	R346	NRSA63J-470X	MG RESISTOR	47	
397			O	R347	NRSA63J-102X	MG RESISTOR	1K	
398			O	R348	NRSA63J-222X	MG RESISTOR	2.2K	
399			O	R349	NRSA63J-221X	MG RESISTOR	220	


Electrical parts list (K10 Main Amp Power)

Item		PWB TOP	PWB BOTTOM	Item Location	Parts number	Parts name	Remarks Value	Area
400			O	R350	NRSA63J-102X	MG RESISTOR	1K	
401			O	R351	NRSA63J-104X	MG RESISTOR	100K	
402			O	R352	NRSA63J-153X	MG RESISTOR	15K	
403			O	R353	NRSA63J-181X	MG RESISTOR	180	
404			O	R354	NRSA63J-821X	MG RESISTOR	820	
405			O	R355	NRSA63J-330X	MG RESISTOR	33	
406			O	R356	NRSA63J-221X	MG RESISTOR	220	
407			O	R357	NRSA63J-103X	MG RESISTOR	10K	
408			O	R358	NRSA63J-104X	MG RESISTOR	100K	
409			O	R359	NRSA63J-471X	MG RESISTOR	470	
410			O	R361	NRSA63J-223X	MG RESISTOR	22K	
411		O		R362	RF0220045N0000	FUSI RESISTOR	2.2-1/4W	
412			O	R363	NRSA63J-471X	MG RESISTOR	470	
413			O	R364	NRSA63J-153X	MG RESISTOR	15K	
414			O	R365	NRSA63J-332X	MG RESISTOR	3.3K	
415			O	R366	NRSA63J-682X	MG RESISTOR	6.8K	
416			O	R367	NRSA63J-103X	MG RESISTOR	10K	
417			O	R368	NRSA63J-473X	MG RESISTOR	47K	
418			O	R369	NRSA63J-473X	MG RESISTOR	47K	
419			O	R370	NRSA63J-102X	MG RESISTOR	1K	
420			O	R371	NRSA63J-223X	MG RESISTOR	22K	
421			O	R372	NRSA63J-223X	MG RESISTOR	22K	
422			O	R373	NRSA63J-222X	MG RESISTOR	2.2K	
423			O	R374	NRSA63J-223X	MG RESISTOR	22K	
424			O	R390	NRSA63J-561X	MG RESISTOR	560	
425			O	R391	NRSA63J-222X	MG RESISTOR	2.2K	
426			O	R401	NRSA63J-104X	MG RESISTOR	100K	
427			O	R402	NRSA63J-682X	MG RESISTOR	6.8K	
428			O	R404	NRSA63J-101X	MG RESISTOR	100	
429			O	R405	NRSA63J-103X	MG RESISTOR	10K	
430			O	R406	NRSA63J-682X	MG RESISTOR	6.8K	
431			O	R407	NRSA63J-683X	MG RESISTOR	68K	
432			O	R408	NIL		NM	
433			O	R409	NRSA63J-154X	MG RESISTOR	150K	
434			O	R410	NRSA63J-122X	MG RESISTOR	1.2K	
435			O	R412	NRSA63J-182X	MG RESISTOR	1.8K	
436			O	R413	NRSA63J-223X	MG RESISTOR	22K	
437			O	R414	NRSA63J-472X	MG RESISTOR	4.7K	
438			O	R415	NRSA63J-103X	MG RESISTOR	10K	
439			O	R416	NRSA63J-682X	MG RESISTOR	6.8K	
440			O	R417	NRSA63J-223X	MG RESISTOR	22K	
441			O	R418	NRSA63J-222X	MG RESISTOR	2.2K	
442			O	R421	NRSA63J-102X	MG RESISTOR	1K	
443			O	R422	NRSA63J-102X	MG RESISTOR	1K	
444			O	R423	NRSA63J-222X	MG RESISTOR	2.2K	
445			O	R501	NRSA63J-104X	MG RESISTOR	100K	
446			O	R502	NRSA63J-682X	MG RESISTOR	6.8K	
447			O	R504	NRSA63J-101X	MG RESISTOR	100	
448			O	R505	NRSA63J-103X	MG RESISTOR	10K	
449			O	R506	NRSA63J-682X	MG RESISTOR	6.8K	
450			O	R507	NRSA63J-683X	MG RESISTOR	68K	
451			O	R508	NIL		NM	
452			O	R509	NRSA63J-154X	MG RESISTOR	150K	
453			O	R510	NRSA63J-122X	MG RESISTOR	1.2K	
454			O	R512	NRSA63J-182X	MG RESISTOR	1.8K	
455			O	R513	NRSA63J-223X	MG RESISTOR	22K	
456			O	R514	NRSA63J-472X	MG RESISTOR	4.7K	


Electrical parts list (K10 Main Amp Power)

Item		PWB TOP	PWB BOTTOM	Item Location	Parts number	Parts name	Remarks Value	Area
457			O	R515	NRSA63J-103X	MG RESISTOR	10K	
458			O	R516	NRSA63J-682X	MG RESISTOR	6.8K	
459			O	R517	NRSA63J-223X	MG RESISTOR	22K	
460			O	R518	NRSA63J-222X	MG RESISTOR	2.2K	
461			O	R521	NRSA63J-102X	MG RESISTOR	1K	
462			O	R522	NRSA63J-102X	MG RESISTOR	1K	
463			O	R523	NRSA63J-222X	MG RESISTOR	2.2K	
464			O	R901	NRSA63J-472X	MG RESISTOR	4.7K	
465		O		R902	RF1010045N0000	FUSI RESISTOR	100 1/4W	
466			O	R903	NRSA63J-222X	MG RESISTOR	2.2K	
467			O	R904	NRSA63J-101X	MG RESISTOR	100	
468			O	R905	NRSA63J-101X	MG RESISTOR	100	
469			O	R906	NRSA63J-103X	MG RESISTOR	10K	
470			O	R907	NRSA63J-102X	MG RESISTOR	1K	
471		O		R908	RF0220045N0000	FUSI RESISTOR	2.2 1/4W(RF)	
472			O	R909	NRSA63J-473X	MG RESISTOR	47K	
473			O	R910	NRSA63J-223X	MG RESISTOR	22K	
474			O	R911	NRSA63J-332X	MG RESISTOR	3.3K	
475			O	R912	NRSA63J-471X	MG RESISTOR	470	
476			O	R913	NRSA63J-471X	MG RESISTOR	470	
477		O		R914	QRE141J-1R0	C RESISTOR	1	
478		O		R915	QRE141J-1R0	C RESISTOR	1	
479		O		R916	QRE141J-1R0	C RESISTOR	1	
480			O	R917	NRSA63J-102X	MG RESISTOR	1K	
481		O		R951	RC3352	RESISTOR	3.3 M 1/2W +/-5%	
482		O		TB901	201323010101	AC TERMINAL	1P MSC	
483		O		TB902	201323010101	AC TERMINAL	1P MSC	
484				PWB	251131G01V	THK1.6mm 94V0 PWB	K10 COMB MAIN	





Electrical parts list (K30 Main Amp Power)

Item		PWB TOP	PWB BOTTOM	Item Location	Parts number	Parts name	Remarks Value	Area
1			O	C41	NIL		NM	
2			O	C51	NIL		NM	
3			O	C101	NDC31HJ-101X	C CAPACITOR	100P	
4		O		C102	QETM1HM-105	E CAPACITOR	1U/50V	
5		O		C103	QETM1HM-105	E CAPACITOR	1U/50V	
6		O		C104	QETM1HM-105	E CAPACITOR	1U/50V	
7		O		C105	QETM1HM-105	E CAPACITOR	1U/50V	
8		O		C106	QETM1HM-475	E CAPACITOR	4.7/50V	
9		O		C107	QETM1HM-475	E CAPACITOR	4.7/50V	
10		O		C109	QETM1HM-475	E CAPACITOR	4.7/50V	
11		O		C110	QFV42AJ-823	MF CAPACITOR	0.082-M	
12		O		C111	QFV42AJ-823	MF CAPACITOR	0.082-M	
13		O		C112	QFLA2AJ-562	M CAPACITOR	5600P-M	
14		O		C113	QFV42AJ-124	MF CAPACITOR	0.12-M	
15		O		C114	QFV42AJ-104	MF CAPACITOR	0.1-M	
16		O		C115	QETM1AM-107	E CAPACITOR	100/10V	
17		O		C116	QETM1HM-105	E CAPACITOR	1U/50V	
18		O		C117	NIL	JUMPER WIRE	JW	
19		O		C118	QETM1HM-475	E CAPACITOR	4.7/50V	
20			O	C119	NDC31HJ-471X	C CAPACITOR	470P	
21			O	C120	NDC31HJ-221X	C CAPACITOR	220P	
22		O		C121	QETM1HM-476	E CAPACITOR	47/50V	
23			O	C123	NDC31HJ-100X	C CAPACITOR	10P	
24		O		C124	QETM1HM-107	E CAPACITOR	100/50V	
25		O		C125	QFV42AJ-104	MF CAPACITOR	0.1-M	
26		O		C126	QFV42AJ-104	MF CAPACITOR	0.1-M	
27			O	C201	NDC31HJ-101X	C CAPACITOR	100P	
28		O		C202	QETM1HM-105	E CAPACITOR	1U/50V	
29		O		C203	QETM1HM-105	E CAPACITOR	1U/50V	
30		O		C204	QETM1HM-105	E CAPACITOR	1U/50V	
31		O		C205	QETM1HM-105	E CAPACITOR	1U/50V	
32		O		C206	QETM1HM-475	E CAPACITOR	4.7/50V	
33		O		C207	QETM1HM-475	E CAPACITOR	4.7/50V	
34		O		C209	QETM1HM-475	E CAPACITOR	4.7/50V	
35		O		C210	QFV42AJ-823	MF CAPACITOR	0.082-M	
36		O		C211	QFV42AJ-823	MF CAPACITOR	0.082-M	
37		O		C212	QFLA2AJ-562	M CAPACITOR	5600P-M	
38		O		C213	QFV42AJ-124	MF CAPACITOR	0.12-M	
39		O		C214	QFV42AJ-104	MF CAPACITOR	0.1-M	
40		O		C215	QETM1AM-107	E CAPACITOR	100/10V	
41		O		C216	QETM1HM-105	E CAPACITOR	1U/50V	
42		O		C217	NIL	JUMPER WIRE	JW	
43		O		C218	QETM1HM-475	E CAPACITOR	4.7/50V	
44			O	C219	NDC31HJ-471X	C CAPACITOR	470P	
45			O	C220	NDC31HJ-221X	C CAPACITOR	220P	
46		O		C221	QETM1HM-476	E CAPACITOR	47/50V	
47			O	C223	NDC31HJ-100X	C CAPACITOR	10P	
48		O		C224	QETM1HM-107	E CAPACITOR	100/50V	
49		O		C225	QFV42AJ-104	MF CAPACITOR	0.1-M	
50		O		C226	QFV42AJ-104	MF CAPACITOR	0.1-M	
51			O	C301	NCB31HK-102X	C CAPACITOR	1000P	
52			O	C302	NIL		NM	
53		O		C303	QETM1HM-225	E CAPACITOR	2.2U/50V	
54			O	C304	NCB31HK-102X	C CAPACITOR	1000P	
55		O		C305	QETM1CM-107	E CAPACITOR	100U/16V	
56		O		C306	QETM1AM-476	E CAPACITOR	47U/10V	
57			O	C307	NCB31HK-821X	C CAPACITOR	820P	






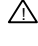

Electrical parts list (K30 Main Amp Power)

Item		PWB TOP	PWB BOTTOM	Item Location	Parts number	Parts name	Remarks Value	Area
58		O		C308	QFV42AJ-153	MF CAPACITOR	0.015-M	
59			O	C309	NCB31HK-103X	C CAPACITOR	0.01	
60		O		C310	QETM1CM-107	E CAPACITOR	100U/16V	
61		O		C311	QFV42AJ-103	MF CAPACITOR	0.01-M	
62		O		C312	QFV42AJ-103	MF CAPACITOR	0.01-M	
63			O	C313	NCB31HK-103X	C CAPACITOR	0.01	
64			O	C314	NCB31HK-103X	C CAPACITOR	0.01	
65			O	C315	NCB31HK-103X	C CAPACITOR	0.01	
66			O	C316	NCB31HK-103X	C CAPACITOR	0.01	
67		O		C317	QETM1CM-107	E CAPACITOR	100U/16V	
68		O		C318	QETM1HM-475	E CAPACITOR	4.7U/50V	
69		O		C319	QETL1CM-108	E CAPACITOR	1000/16V	
70			O	C320	NDC31HJ-151X	C CAPACITOR	150P	
71			O	C321	NDC31HJ-151X	C CAPACITOR	150P	
72			O	C322	NDC31HJ-151X	C CAPACITOR	150P	
73			O	C323	NCB31HK-103X	C CAPACITOR	0.01	
74		O		C324	QETM1AM-107	E CAPACITOR	100/10V	
75		O		C325	QETM1HM-225	E CAPACITOR	2.2/50V	
76			O	C326	NCB31HK-103X	C CAPACITOR	0.01	
77		O		C327	QETM1CM-106	E CAPACITOR	10/16V	
78		O		C328	QETM1CM-476	E CAPACITOR	47/16V	
79			O	C329	NCB31HK-103X	C CAPACITOR	0.01	
80			O	C330	NDC31HJ-101X	C CAPACITOR	100P	
81		O		C331	QETM1AM-107	E CAPACITOR	100U/10V	
82		O		C332	QETM1CM-476	E CAPACITOR	47/16V	
83			O	C333	NIL		NM	
84		O		C334	QETM1HM-105	E CAPACITOR	1U/50V	
85		O		C335	QETM1HM-475	E CAPACITOR	4.7/50V	
86		O		C336	QETM1HM-105	E CAPACITOR	1U/50V	
87		O		C337	QETM1CM-476	E CAPACITOR	47/16V	
88			O	C338	NCB31HK-102X	C CAPACITOR	NM	
89			O	C339	NCB31HK-103X	C CAPACITOR	0.01	
90			O	C341	NCB31HK-103X	C CAPACITOR	0.01	
91			O	C342	NCB31HK-103X	C CAPACITOR	0.01	
92		O		C343	QETL1CM-108	E CAPACITOR	1000U/10V	
93			O	C345	NCB31HK-103X	C CAPACITOR	0.01	
94		O		C346	QETM1CM-106	E CAPACITOR	10/10V	
95		O		C351	QETM1EM-106	E CAPACITOR	10U/25V	
96		O		C352	QETM1HM-105	E CAPACITOR	1U/50V	
97		O		C353	QETM1CM-476	E CAPACITOR	47/16V	
98		O		C354	QETM1CM-226	E CAPACITOR	22/16V	
99		O		C355	QETM1HM-225	E CAPACITOR	2.2/25V	
100			O	C371	NCB31HK-103X	C CAPACITOR	0.01	
101			O	C381	NCF31HZ-223X	C CAPACITOR	0.022	
102		O		C390	QETM1AM-227	E CAPACITOR	220/10V	
103			O	C401	NCB31HK-681X	C CAPACITOR	680P	
104			O	C402	NCB31HK-681X	C CAPACITOR	680P	
105			O	C403	NDC31HJ-330X	C CAPACITOR	33P	
106		O		C404	QFV42AJ-183	MF CAPACITOR	0.018-M	
107		O		C405	QETM1AM-107	E CAPACITOR	100/10V	
108		O		C407	QETM1HM-475	E CAPACITOR	4.7/50V	
109		O		C408	QETM1HM-475	E CAPACITOR	4.7/50V	
110			O	C409	NCB31HK-102X	C CAPACITOR	1000P	
111			O	C410	NCB31HK-332X	C CAPACITOR	3300P	
112		O		C411	QETM1EM-106	E CAPACITOR	10U/25V	
113			O	C412	NIL		NM	
114		O		C413	CH181500JM0130	C CAPACITOR	180P	


Electrical parts list (K30 Main Amp Power)

Item		PWB TOP	PWB BOTTOM	Item Location	Parts number	Parts name	Remarks Value	Area
115			O	C414	NCB31HK-102X	C CAPACITOR	1000P	
116		O		C415	QETM1HM-475	E CAPACITOR	4.7U/50V	
117			O	C417	NDC31HJ-471X	C CAPACITOR	470P	
118			O	C418	NCB31HK-222X	C CAPACITOR	2200P	
119			O	C501	NCB31HK-681X	C CAPACITOR	680P	
120			O	C502	NCB31HK-681X	C CAPACITOR	680P	
121			O	C503	NDC31HJ-330X	C CAPACITOR	33P	
122		O		C504	QFV42AJ-183	MF CAPACITOR	0.018-M	
123		O		C505	QETM1AM-107	E CAPACITOR	100/10V	
124		O		C507	QETM1HM-475	E CAPACITOR	4.7/50V	
125		O		C508	QETM1HM-475	E CAPACITOR	4.7/50V	
126			O	C509	NCB31HK-102X	C CAPACITOR	1000P	
127			O	C510	NCB31HK-332X	C CAPACITOR	3300P	
128		O		C511	QETM1EM-106	E CAPACITOR	10U/25V	
129			O	C512	NIL		NM	
130		O		C513	CH181500JM0130	C CAPACITOR	180P	
131			O	C514	NCB31HK-102X	C CAPACITOR	1000P	
132		O		C515	QETM1HM-475	E CAPACITOR	4.7U/50V	
133			O	C517	NDC31HJ-471X	C CAPACITOR	470P	
134			O	C518	NCB31HK-222X	C CAPACITOR	2200P	
135		O		C901	QFLA2AJ-682	M CAPACITOR	0.068-M	
136		O		C902	QFLA2AJ-682	M CAPACITOR	0.068-M	
137		O		C903	QFLA2AJ-682	M CAPACITOR	0.068-M	
138		O		C904	QFLA2AJ-682	M CAPACITOR	0.068-M	
139		O		C905	CE33863MSN3	E CAPACITOR	3300/63V	
140		O		C906	CE33863MSN3	E CAPACITOR	3300/63V	
141			O	C907	NCB21HJ-104X	C CAPACITOR	0.1	
142			O	C908	NCB21HJ-104X	C CAPACITOR	0.1	
143			O	C909	NCB21HJ-104X	C CAPACITOR	0.1	
144			O	C910	NCB21HJ-104X	C CAPACITOR	0.1	
145		O		C911	CE47825M0	E CAPACITOR	4700/25V	
146		O		C912	QETL1JM-476	E CAPACITOR	47/63V	
147		O		C913	QETM1HM-226	E CAPACITOR	22/50V	
148			O	C914	NCB31HK-103X	C CAPACITOR	0.01	
149		O		C915	QETM1HM-226	E CAPACITOR	22/50V	
150		O		C916	QETM1EM-106	E CAPACITOR	10/25V	
151		O		C917	QETM1HM-225	E CAPACITOR	2.2/50V	
152			O	C918	NCB31HK-103X	C CAPACITOR	0.01	
153		O		C919	QETM1AM-107	E CAPACITOR	100/10V	
154			O	C920	NCB21HJ-104X	C CAPACITOR	0.1	
155		O		C921	QETM1CM-107	E CAPACITOR	100/16V	
156		O		C922	QETM1EM-106	E CAPACITOR	10/25V	
157			O	C1051	NCB31HK-102X	C CAPACITOR	1000P	
158			O	C1052	NCB31HK-102X	C CAPACITOR	1000P	
159		O		CN101	12S40047	CONNECTOR	4P 2.5mm	
160		O		CN202	12S110020	FFC CONNECTOR	11P 1.25mm	
161		O		CN203	12S800421	FFC CONNECTOR	8P 1.25mm	
162		O		CN305	12S130027	FFC CONNECTOR	13P 1.25mm	
163		O		CN307	12S30039	CONNECTOR	3P 2.0mm	
164		O		CN308	12S80024	CONNECTOR	8P 2.0mm	
165		O		CN701	12S110020	FFC CONNECTOR	11P 1.25mm	
166		O		CN702	12S210004	FFC CONNECTOR	21P 1.25mm	
167		O		CN951	12P90047	FLAT CABLE ASSY	9P 2.5mm	
168		O		CN982	NIL	NO MOUNT	NM	
169		O		D304	11ES2-T4	SI DIODE	1SS133	
170		O		D305	11ES2-T4	SI DIODE	1SS133	
171		O		D307	UZ5.1BSB	Z DIODE	MTZJ5.1B	

Electrical parts list (K30 Main Amp Power)

Item		PWB TOP	PWB BOTTOM	Item Location	Parts number	Parts name	Remarks Value	Area
172		O		D308	11ES2-T4	SI DIODE	1SS133	
173		O		D309	11ES2-T4	SI DIODE	1SS133	
174		O		D310	11ES2-T4	SI DIODE	1SS133	
175		O		D311	11ES2-T4	SI DIODE	1SS133	
176		O		D312	11ES2-T4	SI DIODE	1SS133	
177		O		D313	11ES2-T4	SI DIODE	1SS133	
178		O		D314	11ES2-T4	SI DIODE	1SS133	
179		O		D321	11ES2-T4	SI DIODE	1SS133	
180		O		D322	11ES2-T4	SI DIODE	1SS133	
181		O		D323	31N40011	SI DIODE	1N4001	
182		O		D324	11ES2-T4	SI DIODE	1SS133	
183		O		D325	11ES2-T4	SI DIODE	1SS133	
184		O		D326	11ES2-T4	SI DIODE	1SS133	
185		O		D327	11ES2-T4	SI DIODE	1SS133	
186		O		D328	11ES2-T4	SI DIODE	1SS133	
187		O		D329	NIL		NM	
188		O		D330	NIL		NM	
189		O		D331	11ES2-T4	SI DIODE	1SS133	
190		O		D332	11ES2-T4	SI DIODE	1SS133	
191		O		D333	31SS133N0007	SI DIODE	1SS133	
192		O		D901	3RS603M1	BRIDGE DIODE	RS603M	
193		O		D902	31N40011	SI DIODE	1N4001	
194		O		D903	31N40011	SI DIODE	1N4001	
195		O		D904	31N40011	SI DIODE	1N4001	
196		O		D905	31N40011	SI DIODE	1N4001	
197		O		D906	31N40011	SI DIODE	1N4001	
198		O		D907	MTZJ33C-T77	Z DIODE	MTZJ33C	
199		O		D908	MTZ6.2JB	Z DIODE	MTZJ6.2B	
200		O		D909	11ES2-T4	SI DIODE	1S133	
201		O		D910	MTZ6.2JB	Z DIODE	MTZJ6.2B	
202		O		D911	3MTZJ5.6AM0007	Z DIODE	MTZJ5.6A	
203		O		D912	MTZJ12C	Z DIODE	MTZJ12C	
204		O		D913	3MTZJ11BM0007	Z DIODE	MTZJ11B	
205		O		D915	MTZJ6.8B	Z DIODE	MTZJ6.8B	
206		O		D916	11ES2-T4	SI DIODE	1SS133	
207		O		W1051	12P402341	CONN. ASSY	4P-2.5mm	
208		O		J1053	23B0112	MINI JACK	MSJ-2000	
209			O	IC102	113241	IC	BA1521B	
210			O	IC103	113231	IC	TDA7440D	
211		O		IC304	113191	IC	STK402-090	
212		O		IC401	TA8189N	IC	TA8189	
213		O		IC402	113221	IC	74HC4094	
214		O		J303	23F0251	SP 4P TERMINAL	MSP-103V-04	
215		O		JA301	23B0931	RCA W/R JACK	MSP-242V3	
216		O		JD75	NIL	JUMPER WIRE	JW	
217			O	JR1	NRSA63J-OR0X	MG RESISTOR	00	
218			O	JR2	NRSA63J-OR0X	MG RESISTOR	00	
219			O	JR3	NRSA63J-OR0X	MG RESISTOR	00	
220			O	JR4	NRSA63J-OR0X	MG RESISTOR	00	
221			O	JR5	NRSA63J-OR0X	MG RESISTOR	00	
222			O	JR6	NRS181J-OR0X	MG RESISTOR	00	
223			O	JR7	NRSA63J-OR0X	MG RESISTOR	00	
224			O	JR8	NRSA63J-OR0X	MG RESISTOR	00	
225			O	JR9	NRSA63J-OR0X	MG RESISTOR	00	
226			O	JR10	NRSA63J-OR0X	MG RESISTOR	00	
227			O	JR11	NRSA63J-OR0X	MG RESISTOR	00	
228			O	JR12	NRSA63J-OR0X	MG RESISTOR	00	





Electrical parts list (K30 Main Amp Power)

Item		PWB TOP	PWB BOTTOM	Item Location	Parts number	Parts name	Remarks Value	Area
229			O	JR13	NRSA63J-0R0X	MG RESISTOR	00	
230		O		L101	2600702	Chock Coil	1uH	
231		O		L1053	18A843556N0002	F-BEAD	F-B 843556	
232		O		L1051	26047000KM0024	INDUCTOR	4.7uH	
233		O		L1052	26047000KM0024	INDUCTOR	4.7uH	
234		O		L201	2600702	Chock Coil	1uH	
235		O		L301	605071	BIAS-COIL	864306	
236		O		L302	NIL	JUMPER WIRE	JW	
237		O		L304	18A843556N0002	F-BEAD	F-B 843556	
238		O		L305	26100000KM0024	INDUCTOR	10uH	
239		O		L401	NIL	JUMPER WIRE	JW	
240		O		L501	NIL	JUMPER WIRE	JW	
241		O		Q101	2KTC3199GP0008	TRANSISTOR	KTC3199	
242		O		Q103	2KTC3199GP0008	TRANSISTOR	KTC3199	
243		O		Q104	2KTA1267GP0008	TRANSISTOR	KTA1267GR	
244		O		Q105	2KTC3199GP0008	TRANSISTOR	KTC3199	
245		O		Q201	2KTC3199GP0008	TRANSISTOR	KTC3199	
246		O		Q203	2KTC3199GP0008	TRANSISTOR	KTC3199	
247		O		Q204	2KTA1267GP0008	TRANSISTOR	KTA1267GR	
248		O		Q205	2KTC3199GP0008	TRANSISTOR	KTC3199	
249		O		Q301	KRA107M-T	D.TRANSISTOR	A107M	
250		O		Q302	KTC3200GR	TRANSISTOR	KTC3200	
251		O		Q303	2KTC3203YP0008	TRANSISTOR	KTC3203Y	
252		O		Q304	2KTA1267GP0008	TRANSISTOR	KTA1267GR	
253		O		Q305	DTC144ESTP	D.TRANSISTOR	DTC144ES	
254		O		Q307	2KTC3199GP0008	TRANSISTOR	KTC3199	
255		O		Q308	DTC144ESTP	D.TRANSISTOR	DTC144ES	
256		O		Q309	KTA1273/Y/-T	TRANSISTOR	KTA1273Y	
257		O		Q310	2KTC3199GP0008	TRANSISTOR	KTC3199	
258		O		Q311	KTA1273/Y/-T	TRANSISTOR	KTA1273Y	
259		O		Q312	2KTC3199GP0008	TRANSISTOR	KTC3199	
260		O		Q313	KTA1273/Y/-T	TRANSISTOR	KTA1273Y	
261		O		Q314	DTC114YSA-T	D.TRANSISTOR	DTC114YS	
262		O		Q315	2KTC3199GP0008	TRANSISTOR	KTC3199	
263		O		Q316	2KTC3199GP0008	TRANSISTOR	KTC3199	
264		O		Q317	2KTC3199GP0008	TRANSISTOR	KTC3199	
265		O		Q318	DTC114YSA-T	D.TRANSISTOR	DTC114YS	
266		O		Q319	2KTA1270YP0008	TRANSISTOR	KTA1267Y	
267		O		Q321	DTC114YSA-T	D.TRANSISTOR	DTC114YS	
268		O		Q322	KRA107M-T	D.TRANSISTOR	A107M	
269		O		Q323	KRA107M-T	D.TRANSISTOR	A107M	
270		O		Q324	KRA107M-T	D.TRANSISTOR	A107M	
271		O		Q325	DTC114YSA-T	D.TRANSISTOR	DTC114YS	
272		O		Q327	2KTA1267GP0008	TRANSISTOR	KTA1267GR	
273		O		Q331	KTC3200GR	TRANSISTOR	KTC3200	
274		O		Q332	2KTA1268GP0008	TRANSISTOR	KTA1268	
275		O		Q333	DTC114YSA-T	D.TRANSISTOR	DTC114YS	
276		O		Q334	KRA107M-T	D.TRANSISTOR	KRA107M	
277		O		Q335	KRA107M-T	D.TRANSISTOR	A107M	
278		O		Q336	2KTC3199GP0008	TRANSISTOR	KTC3199	
279		O		Q337	2KTC3199GP0008	TRANSISTOR	KTC3199	
280		O		Q338	2KTC3199GP0008	TRANSISTOR	KTC3199	
281		O		Q339	DTC114YSA-T	D.TRANSISTOR	DTC114YS	
282		O		Q401	2SD2144S/VW/-T	TRANSISTOR	2SD2144S	
283		O		Q402	2SD2144S/VW/-T	TRANSISTOR	2SD2144	
284		O		Q403	2KTC3199GP0008	TRANSISTOR	KTC3199	
285		O		Q404	2KTC3199GP0008	TRANSISTOR	KTC3199	



Electrical parts list (K30 Main Amp Power)

Item	⚠	PWB TOP	PWB BOTTOM	Item Location	Parts number	Parts name	Remarks Value	Area
286		O		Q405	2KTC3199GP0008	TRANSISTOR	KTC3199	
287		O		Q501	2SD2144S/VW/-T	TRANSISTOR	2SD2144S	
288		O		Q502	2SD2144S/VW/-T	TRANSISTOR	2SD2144	
289		O		Q503	2KTC3199GP0008	TRANSISTOR	KTC3199	
290		O		Q504	2KTC3199GP0008	TRANSISTOR	KTC3199	
291		O		Q505	2KTC3199GP0008	TRANSISTOR	KTC3199	
292		O		Q901	2SA934RP0007	TRANSISTOR	2SA934	
293		O		Q902	DTC114YSA-T	D.TRANSISTOR	DTC114YS	
294		O		Q903	DTC114YSA-T	D.TRANSISTOR	DTC114YS	
295	⚠	O		Q904	2KTB1366Y8	TRANSISTOR	KTB1366	
296		O		Q905	2KTC3199GP0008	TRANSISTOR	KTC3199	
297		O		Q906	2KTC3199GP0008	TRANSISTOR	KTC3199	
298	⚠	O		Q907	2KTB1366Y8	TRANSISTOR	KTB1366	
299		O		Q908	2KTA1267GP0008	TRANSISTOR	KTA1267GR	
300		O		Q909	KRA107M-T	D.TRANSISTOR	A107M	
301		O		Q910	DTC114YSA-T	D.TRANSISTOR	DTC114YS	
302		O		Q911	2KTC3199GP0008	TRANSISTOR	KTC3199	
303		O		Q912	DTC114YSA-T	D.TRANSISTOR	DTC114YS	
304			O	R101	NRSA63J-393X	MG RESISTOR	39K	
305			O	R102	NRSA63J-682X	MG RESISTOR	6.8K	
306			O	R103	NRSA63J-222X	MG RESISTOR	2.2K	
307			O	R104	NRSA63J-222X	MG RESISTOR	2.2K	
308			O	R105	NRSA63J-154X	MG RESISTOR	150K	
309			O	R106	NRSA63J-682X	MG RESISTOR	5.6K	
310			O	R107	NRSA63J-0R0X	MG RESISTOR	00	
311			O	R108	NRSA63J-103X	MG RESISTOR	10K	
312			O	R109	NRSA63J-122X	MG RESISTOR	1.2K	
313			O	R110	NRSA63J-222X	MG RESISTOR	2.2K	
314			O	R111	NRSA63J-222X	MG RESISTOR	2.2K	
315			O	R112	NRSA63J-562X	MG RESISTOR	5.6K	
316			O	R113	NRSA63J-103X	MG RESISTOR	10K	
317			O	R114	NRSA63J-102X	MG RESISTOR	1K	
318			O	R115	NRSA63J-223X	MG RESISTOR	22K	
319			O	R117	NRSA63J-222X	MG RESISTOR	2.2K	
320			O	R118	NRSA63J-472X	MG RESISTOR	4.7K	
321			O	R119	NRSA63J-103X	MG RESISTOR	10K	
322			O	R120	NRSA63J-563X	MG RESISTOR	56K	
323			O	R121	NRSA63J-152X	MG RESISTOR	1.5K	
324			O	R123	NRSA63J-473X	MG RESISTOR	47K	
325			O	R124	NRSA63J-152X	MG RESISTOR	1.5K	
326		O		R125	QRM024K-R22	MP RESISTOR	0.22.2W	
327		O		R126	QRM024K-R22	MP RESISTOR	0.22.2W	
328	⚠	O		R127	RF1510045N0000	FUSI RESISTOR	150-1/4W	
329			O	R128	NRSA63J-220X	MG RESISTOR	22	
330			O	R129	NRSA63J-220X	MG RESISTOR	22	
331			O	R130	NRSA63J-220X	MG RESISTOR	22	
332			O	R131	NRSA63J-103X	MG RESISTOR	10K	
333	⚠	O		R132	RF3910045N0000	FUSI RESISTOR	390-1/4W	
334	⚠	O		R133	RF3910045N0000	FUSI RESISTOR	390-1/4W	
335			O	R134	NRSA63J-103X	MG RESISTOR	10K	
336			O	R136	NRSA63J-102X	MG RESISTOR	1K	
337			O	R137	NRSA63J-104X	MG RESISTOR	100K	
338			O	R138	NRSA63J-102X	MG RESISTOR	1K	
339		O		R139	QRE141J-103	C RESISTOR	10K	
340			O	R150	NRSA63J-220X	MG RESISTOR	22	
341			O	R151	NRSA63J-153X	MG RESISTOR	15K	
342			O	R152	NRSA63J-473X	MG RESISTOR	47K	




Electrical parts list (K30 Main Amp Power)

Item		PWB TOP	PWB BOTTOM	Item Location	Parts number	Parts name	Remarks Value	Area
343			O	R201	NRSA63J-393X	MG RESISTOR	39K	
344			O	R202	NRSA63J-682X	MG RESISTOR	6.8K	
345			O	R203	NRSA63J-222X	MG RESISTOR	2.2K	
346			O	R204	NRSA63J-222X	MG RESISTOR	2.2K	
347			O	R205	NRSA63J-154X	MG RESISTOR	150K	
348			O	R206	NRSA63J-682X	MG RESISTOR	5.6K	
349			O	R207	NRSA63J-0R0X	MG RESISTOR	00	
350			O	R208	NRSA63J-103X	MG RESISTOR	10K	
351			O	R209	NRSA63J-122X	MG RESISTOR	1.2K	
352			O	R210	NRSA63J-222X	MG RESISTOR	2.2K	
353			O	R211	NRSA63J-222X	MG RESISTOR	2.2K	
354			O	R212	NRSA63J-562X	MG RESISTOR	5.6K	
355			O	R213	NRSA63J-103X	MG RESISTOR	10K	
356			O	R214	NRSA63J-102X	MG RESISTOR	1K	
357			O	R215	NRSA63J-223X	MG RESISTOR	22K	
358			O	R217	NRSA63J-222X	MG RESISTOR	2.2K	
359			O	R218	NRSA63J-472X	MG RESISTOR	4.7K	
360			O	R219	NRSA63J-103X	MG RESISTOR	10K	
361			O	R220	NRSA63J-563X	MG RESISTOR	56K	
362			O	R221	NRSA63J-152X	MG RESISTOR	1.5K	
363			O	R223	NRSA63J-473X	MG RESISTOR	47K	
364			O	R224	NRSA63J-152X	MG RESISTOR	1.5K	
365		O		R225	QRM024K-R22	MP RESISTOR	0.22-2W	
366		O		R226	QRM024K-R22	MP RESISTOR	0.22-2W	
367		O		R227	RF1510045N0000	FUSI RESISTOR	150-1/4W	
368			O	R228	NRSA63J-220X	MG RESISTOR	22	
369			O	R229	NRSA63J-220X	MG RESISTOR	22	
370			O	R230	NRSA63J-220X	MG RESISTOR	22	
371			O	R231	NRSA63J-103X	MG RESISTOR	10K	
372		O		R232	RF3910045N0000	FUSI RESISTOR	390-1/4W	
373		O		R233	RF3910045N0000	FUSI RESISTOR	390-1/4W	
374			O	R234	NRSA63J-103X	MG RESISTOR	10K	
375			O	R235	NRSA63J-103X	MG RESISTOR	10K	
376			O	R236	NRSA63J-102X	MG RESISTOR	1K	
377			O	R237	NRSA63J-104X	MG RESISTOR	100K	
378			O	R238	NRSA63J-102X	MG RESISTOR	1K	
379			O	R239	NRSA63J-103X	MG RESISTOR	10K	
380			O	R250	NRSA63J-220X	MG RESISTOR	22	
381			O	R251	NRSA63J-153X	MG RESISTOR	15K	
382			O	R301	NRSA63J-102X	MG RESISTOR	1K	
383			O	R303	NRSA63J-102X	MG RESISTOR	1K	
384			O	R304	NRSA63J-331X	MG RESISTOR	330	
385			O	R305	NRSA63J-103X	MG RESISTOR	10K	
386			O	R306	NRSA63J-105X	MG RESISTOR	1M	
387			O	R307	NRSA63J-222X	MG RESISTOR	2.2K	
388			O	R308	NRSA63J-103X	MG RESISTOR	10K	
389			O	R309	NRSA63J-100X	MG RESISTOR	10	
390			O	R310	NRSA02J-390X	MG RESISTOR	39	
391			O	R311	NRSA63J-100X	MG RESISTOR	10	
392			O	R312	NRSA63J-102X	MG RESISTOR	1K	
393			O	R313	NRSA63J-471X	MG RESISTOR	470	
394			O	R314	NRSA63J-474X	MG RESISTOR	470K	
395			O	R315	NRSA63J-222X	MG RESISTOR	2.2K	
396			O	R316	NRSA63J-103X	MG RESISTOR	10K	
397			O	R317	NRSA63J-472X	MG RESISTOR	4.7K	
398			O	R319	NRSA63J-223X	MG RESISTOR	22K	
399			O	R320	NRSA63J-473X	MG RESISTOR	47K	



Electrical parts list (K30 Main Amp Power)

Item		PWB TOP	PWB BOTTOM	Item Location	Parts number	Parts name	Remarks Value	Area
400			O	R321	NRSA63J-222X	MG RESISTOR	2.2K	
401			O	R322	NRSA63J-222X	MG RESISTOR	2.2K	
402			O	R323	NRSA63J-222X	MG RESISTOR	2.2K	
403			O	R324	NRSA63J-222X	MG RESISTOR	2.2K	
404			O	R325	NRSA63J-222X	MG RESISTOR	2.2K	
405			O	R327	NRSA63J-103X	MG RESISTOR	10K	
406			O	R328	NRSA63J-103X	MG RESISTOR	10K	
407			O	R329	NRSA63J-223X	MG RESISTOR	22K	
408			O	R330	NRSA63J-473X	MG RESISTOR	47K	
409			O	R331	NRSA63J-332X	MG RESISTOR	3.3K	
410			O	R332	NRSA63J-472X	MG RESISTOR	4.7K	
411			O	R333	NRSA63J-151X	MG RESISTOR	150	
412			O	R334	NRSA63J-332X	MG RESISTOR	3.3K	
413			O	R335	NRSA63J-472X	MG RESISTOR	4.7K	
414			O	R336	NRSA63J-151X	MG RESISTOR	150	
415			O	R337	NRSA63J-332X	MG RESISTOR	3.3K	
416			O	R338	NRSA63J-102X	MG RESISTOR	1K	
417			O	R339	NRSA63J-222X	MG RESISTOR	2.2K	
418			O	R340	NRSA63J-222X	MG RESISTOR	2.2K	
419			O	R341	NRSA63J-222X	MG RESISTOR	2.2K	
420			O	R344	NRSA63J-102X	MG RESISTOR	1K	
421			O	R345	NRSA63J-102X	MG RESISTOR	1K	
422			O	R346	NRSA63J-470X	MG RESISTOR	47	
423			O	R347	NRSA63J-102X	MG RESISTOR	1K	
424			O	R348	NRSA63J-222X	MG RESISTOR	2.2K	
425			O	R349	NRSA63J-221X	MG RESISTOR	220	
426			O	R350	NRSA63J-102X	MG RESISTOR	1K	
427			O	R351	NRSA63J-104X	MG RESISTOR	100K	
428			O	R352	NRSA63J-153X	MG RESISTOR	15K	
429			O	R353	NRSA63J-181X	MG RESISTOR	180	
430			O	R354	NRSA63J-821X	MG RESISTOR	820	
431			O	R355	NRSA63J-330X	MG RESISTOR	33	
432			O	R356	NRSA63J-221X	MG RESISTOR	220	
433			O	R357	NRSA63J-103X	MG RESISTOR	10K	
434			O	R358	NRSA63J-104X	MG RESISTOR	100K	
435			O	R359	NRSA63J-471X	MG RESISTOR	470	
436			O	R361	NRSA63J-223X	MG RESISTOR	22K	
437		O		R362	RF0220045N0000	FUSI RESISTOR	2.2-1/4W	
438			O	R363	NRSA63J-471X	MG RESISTOR	470	
439			O	R364	NRSA63J-153X	MG RESISTOR	15K	
440			O	R365	NRSA63J-332X	MG RESISTOR	3.3K	
441			O	R366	NRSA63J-682X	MG RESISTOR	6.8K	
442			O	R367	NRSA63J-103X	MG RESISTOR	10K	
443			O	R368	NRSA63J-473X	MG RESISTOR	47K	
444			O	R369	NRSA63J-473X	MG RESISTOR	47K	
445			O	R370	NRSA63J-102X	MG RESISTOR	1K	
446			O	R371	NRSA63J-223X	MG RESISTOR	22K	
447			O	R372	NRSA63J-223X	MG RESISTOR	22K	
448			O	R373	NRSA63J-222X	MG RESISTOR	2.2K	
449			O	R374	NRSA63J-223X	MG RESISTOR	22K	
450			O	R381	NRSA63J-104X	MG RESISTOR	100K	
451			O	R382	NRSA63J-223X	MG RESISTOR	22K	
452			O	R383	NRSA63J-473X	MG RESISTOR	47K	
453			O	R384	NRSA63J-103X	MG RESISTOR	10K	
454			O	R385	NRSA63J-104X	MG RESISTOR	100K	
455		O		R386	QRE141J-100	C RESISTOR	10	
456			O	R387	NRSA63J-150X	MG RESISTOR	15	

Electrical parts list (K30 Main Amp Power)

Item		PWB TOP	PWB BOTTOM	Item Location	Parts number	Parts name	Remarks Value	Area
457			O	R388	NRSA63J-222X	MG RESISTOR	2.2K	
458			O	R389	NRSA63J-103X	MG RESISTOR	10K	
459			O	R390	NRSA63J-561X	MG RESISTOR	560	
460			O	R391	NRSA63J-222X	MG RESISTOR	2.2K	
461			O	R401	NRSA63J-104X	MG RESISTOR	100K	
462			O	R402	NRSA63J-682X	MG RESISTOR	6.8K	
463			O	R404	NRSA63J-101X	MG RESISTOR	100	
464			O	R405	NRSA63J-103X	MG RESISTOR	10K	
465			O	R406	NRSA63J-682X	MG RESISTOR	6.8K	
466			O	R407	NRSA63J-683X	MG RESISTOR	68K	
467			O	R408	NIL		NM	
468			O	R409	NRSA63J-154X	MG RESISTOR	150K	
469			O	R410	NRSA63J-122X	MG RESISTOR	1.2K	
470			O	R412	NRSA63J-182X	MG RESISTOR	1.8K	
471			O	R413	NRSA63J-223X	MG RESISTOR	22K	
472			O	R414	NRSA63J-472X	MG RESISTOR	4.7K	
473			O	R415	NRSA63J-103X	MG RESISTOR	10K	
474			O	R416	NRSA63J-682X	MG RESISTOR	6.8K	
475			O	R417	NRSA63J-223X	MG RESISTOR	22K	
476			O	R418	NRSA63J-222X	MG RESISTOR	2.2K	
477			O	R421	NRSA63J-102X	MG RESISTOR	1K	
478			O	R422	NRSA63J-102X	MG RESISTOR	1K	
479			O	R423	NRSA63J-222X	MG RESISTOR	2.2K	
480			O	R501	NRSA63J-104X	MG RESISTOR	100K	
481			O	R502	NRSA63J-682X	MG RESISTOR	6.8K	
482			O	R504	NRSA63J-101X	MG RESISTOR	100	
483			O	R505	NRSA63J-103X	MG RESISTOR	10K	
484			O	R506	NRSA63J-682X	MG RESISTOR	6.8K	
485			O	R507	NRSA63J-683X	MG RESISTOR	68K	
486			O	R508	NIL		NM	
487			O	R509	NRSA63J-154X	MG RESISTOR	150K	
488			O	R510	NRSA63J-122X	MG RESISTOR	1.2K	
489			O	R512	NRSA63J-182X	MG RESISTOR	1.8K	
490			O	R513	NRSA63J-223X	MG RESISTOR	22K	
491			O	R514	NRSA63J-472X	MG RESISTOR	4.7K	
492			O	R515	NRSA63J-103X	MG RESISTOR	10K	
493			O	R516	NRSA63J-682X	MG RESISTOR	6.8K	
494			O	R517	NRSA63J-223X	MG RESISTOR	22K	
495			O	R518	NRSA63J-222X	MG RESISTOR	2.2K	
496			O	R521	NRSA63J-102X	MG RESISTOR	1K	
497			O	R522	NRSA63J-102X	MG RESISTOR	1K	
498			O	R523	NRSA63J-222X	MG RESISTOR	2.2K	
499			O	R901	NRSA63J-472X	MG RESISTOR	4.7K	
500		O		R902	RF1010045N0000	FUSI RESISTOR	100 1/4W	
501			O	R903	NRSA63J-222X	MG RESISTOR	2.2K	
502			O	R904	NRSA63J-101X	MG RESISTOR	100	
503			O	R905	NRSA63J-101X	MG RESISTOR	100	
504			O	R906	NRSA63J-103X	MG RESISTOR	10K	
505			O	R907	NRSA63J-102X	MG RESISTOR	1K	
506		O		R908	RF0220045N0000	FUSI RESISTOR	2.2 1/4W(RF)	
507			O	R909	NRSA63J-473X	MG RESISTOR	47K	
508			O	R910	NRSA63J-223X	MG RESISTOR	22K	
509			O	R911	NRSA63J-332X	MG RESISTOR	3.3K	
510			O	R912	NRSA63J-471X	MG RESISTOR	470	
511			O	R913	NRSA63J-471X	MG RESISTOR	470	
512		O		R914	QRE141J-1R0	C RESISTOR	1	
513		O		R915	QRE141J-1R0	C RESISTOR	1	

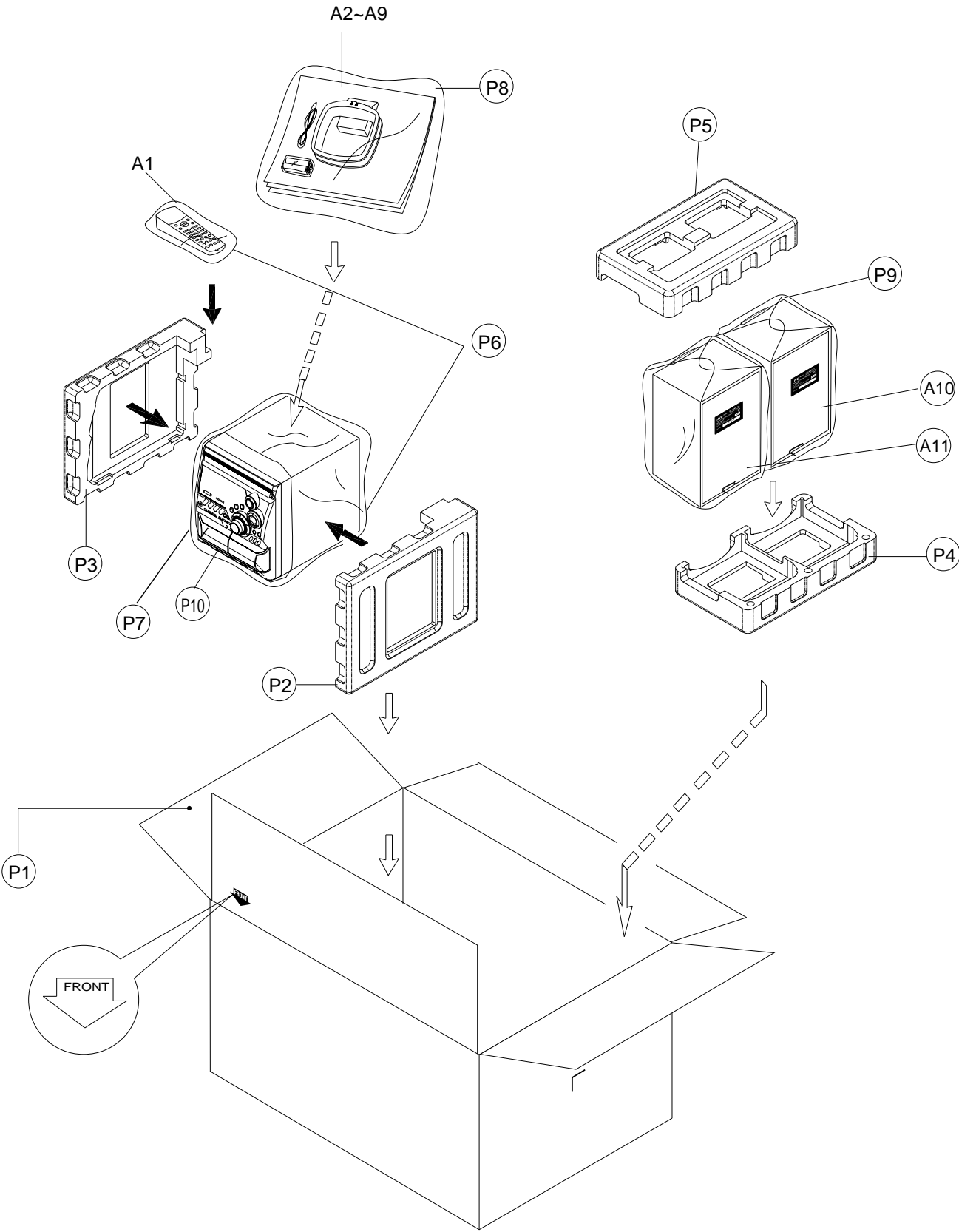
Electrical parts list (K30 Main Amp Power)

Item		PWB TOP	PWB BOTTOM	Item Location	Parts number	Parts name	Remarks Value	Area
514		O		R916	QRE141J-1R0	C RESISTOR	1	
515			O	R917	NRSA63J-102X	MG RESISTOR	1K	
516		O		R951	RC3352	RESISTOR	3.3M	
517		O		RY301	8RL00071	RELAY	G5PA-2	
518			O	RXX	NIL		NM	
519		O		TB901	201323010101	AC TERMINAL	1P	
520		O		TB902	201323010101	AC TERMINAL	1P	
521		O		FH951	201196010101	FUSE HOLDER	1P-5mm	
522		O		FH952	201196010101	FUSE HOLDER	1P-5mm	
523		O		SINK A	202323010101	SINK-AMP	K30J/E T=1mm	
524		O		SCREW	RT000611B3	SCREW 3xL8mm	For sink to Q904	
525		O		SCREW	RT000611B3	SCREW 3xL8mm	For sink to Q907	
		----	----	PWB	251100G01V	THK1.6mm 94V0 PWB	K30 COMB MAIN	

Packing materials and accessories parts list


Block No. M 3 M M

Block No. M 5 M M




• Parts list (Packing)

Block No. M3MM

	Item	Parts number	Parts name	Q'ty	Description	Area
	P 1	BI4311771	CARTON BOX	1	MX-K30	J
		BI4312061	CARTON BOX	1	MX-K30	C
		BI4311891	CARTON BOX	1	MX-K10	J
		BI4312071	CARTON BOX	1	MX-K10	C
	P 2	BI4511372	POLY FORM RIGHT	1	UNIT	
	P 3	BI4511362	POLY FORM LEFT	1	UNIT	
	P 4	BIN1744B	POLY FORM BOTTOM	1	SPEAKER BOX	
	P 5	BIN 1744T	POLY FORM TOP	1	SPEAKER BOX	
	P 6	BI4005355	POLY BAG	2	REMOTE CONTROL AC POWER CORD	
	P 7	BI4710321	POLY BAG	1	UNIT	
	P 8	BI4710311	POLY BAG	1	INSTRUCTIONS	
	P 9	BIVH4003DA	POLY BAG	2	SPEAKER BOX	
	P 10	BI4511451	EPE Foam Paper	1	UNIT	

• Parts list (Accessories)

Block No. M5MM

	Item	Parts number	Parts name	Q'ty	Description	Area
	A 1	BI681RMK30A000	REMOTE CONTROL	1		
	A 2	BIAN00421	ANTENNA LOOP	1		
	A 3	BI53016	BATTERY	2	R6SPTT/2STA	
	A 4	BI4410741	INSTRUCTIONS	1	ENG	J
		BI4411041	INSTRUCTIONS		ENG	C
	A 5	BIAN00701	ANTENNA WIRE	1		
	A 6	BI4032601	SAFETY GUID	1	YU20333	J
		BI4032611	Registration Card	1	BT-51028-0501	J
	A 7	BI4032821	WARV CARD	1	BT-52004-2-0201	C
		BI4032831	Service Centres	1	BT-20071B-0393	C
	A 8	BIMXK30SPBOXL	SPEAKER BOX L	1		
	A 9	BIMXK30SPBOXR	SPEAKER BOX R	1		